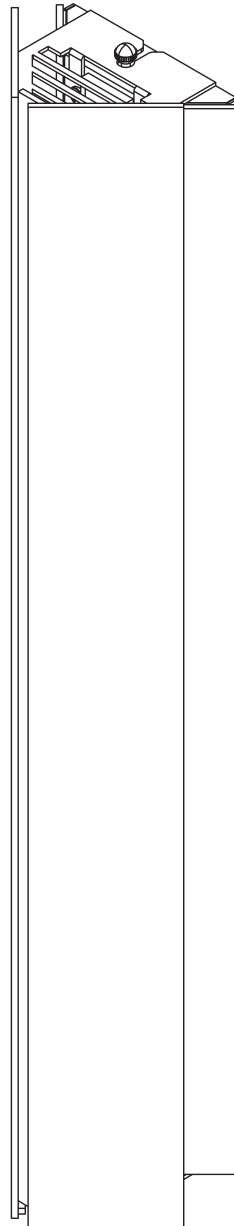


ASSEMBLY & INSTALLATION INSTRUCTIONS

B513

Gallery Led Sconce - 217652



Component Parts

- A Fixture**
- B Mounting Bracket**
- C Anchors (6)**
- D #10 Screws (6)**
- E 8-32 x 1" Screw (4)**
- F Ground Screw**
- G Cupped Washer**
- H Fixture Front Panel**
- I Glass**
- J Ball Head Screw (2)**



ASSEMBLY & INSTALLATION INSTRUCTIONS

B513

Gallery Led Sconce - 217652

CAUTION: FAILURE TO INSTALL THIS FIXTURE PROPERLY MAY RESULT IN SERIOUS PERSONAL INJURY OR DEATH AND PROPERTY DAMAGE. We recommend installation by a licensed electrician. This product must be installed in accordance with applicable installation code(s), by a person familiar with the construction and operation of the product and the hazards involved.*

Caution: Do not exceed maximum wattage noted on fixture. Use only recommended bulbs with fixture.

Install Canopy (Figure 1 - on following page)

CAUTION: BE SURE POWER IS OFF AT THE MAIN BREAKER BOX PRIOR TO INSTALLATION.

1. Carefully unpack the fixture from the carton.
2. Remove #8 screws (E) from mounting bracket (B). Separate parts and set aside for later use.
3. Place the wall mounting bracket (B) over the electrical box using one of three holes provided being sure to hold it plum and level. With a pencil, mark the location of all mounting holes in the wall mount bracket on the wall behind.

IMPORTANT: Wall mounting bracket must be secured to a solidly mounted electrical box and/or a framing member in at least two locations. Do not depend on drywall anchors alone to support this fixture. If in doubt, contact a qualified electrician.

4. Set aside the wall mounting bracket and drill 1/4" holes in the locations marked on the wall. For holes using anchors, place the tapered end of the anchors (C) into the holes and gently tap them flush to the wall using a light weight hammer.
5. Thread the wires in the electrical box through the hole in the wall mounting bracket (B) while moving the bracket into position. Using the 1" #10 screws (D), screw the bracket securely to the wall. Be careful not to over-tighten or strip the anchors.
6. Hold fixture (A) close to wall. Using suitable wire connectors (not provided), connect fixture wires to supply wires (white to white and black to black). Using cupped washer (G) and ground screw (F) run a pigtail lead from the mounting bracket (B) to the electrical box. Connect all ground wires (bare copper or green to bare copper or green).

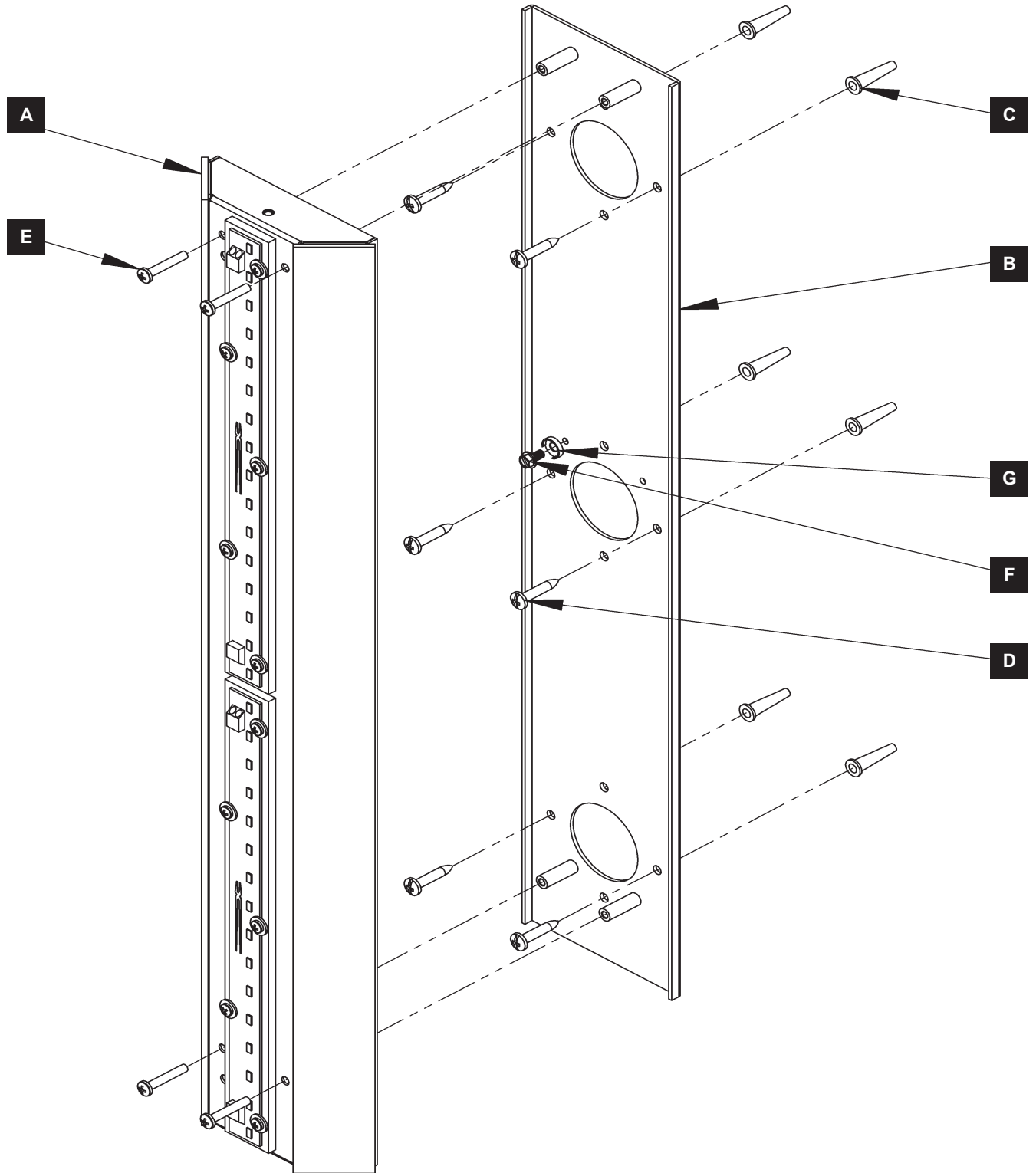
Caution: Be sure wire connectors are twisted on securely, and no bare wire is exposed.

7. Carefully tuck all wires behind the fixture (A) and inside the wall mounting bracket (B) and place the fixture over the bracket so the holes in the top and bottom match the threaded standoffs protruding from the wall mounting bracket (B). Secure the fixture by threading the 8-32 x 1" screws (E) through the holes in the fixture (A) and into the wall mounting bracket (B).
8. Refer to glass and front mounting instructions for complete installation.

ASSEMBLY & INSTALLATION INSTRUCTIONS

B513

Gallery Led Sconce - 217652



(Figure 1)

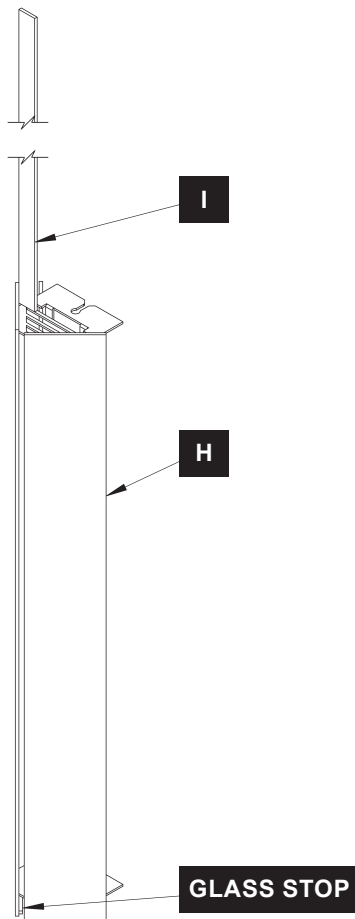


HUBBARDTON FORGE.

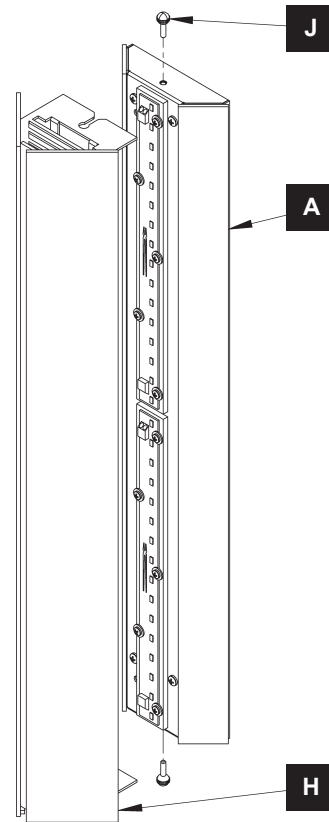
MODERN AMERICAN BLACKSMITHS | FINE, HAND CRAFTED LIGHTING
CASTLETON, VERMONT USA | HUBBARDTONFORGE.COM

To Install Glass and Complete Fixture Installation *(Figure 2 & 3)*

1. Slide glass panel (I) in opening on top of fixture front panel (H). Slide glass through until it rests at bottom of fixture front panel (H). Glass should be approximately 1/4" below top surface when installed.
2. Thread ball head screw (J) in top and bottom of fixture (A). Only thread a couple of turns for each screw.
3. Align slots on the top and bottom of fixture front panel (H) with the ball head screws previously installed into fixture (A). Slide the fixture front panel (H) back until it bottoms out on fixture (A).
4. Tighten both ball head screws (J) to secure fixture front panel (H).



(Figure 2)



(Figure 3)

If you need further assistance, or find that you are missing any parts, please contact the dealer from which you purchased this product. We hope you enjoy your fixture!

**** Hubbardton Forge will not be liable for injury or damage caused by improper installation, lamping or use of this fixture.***