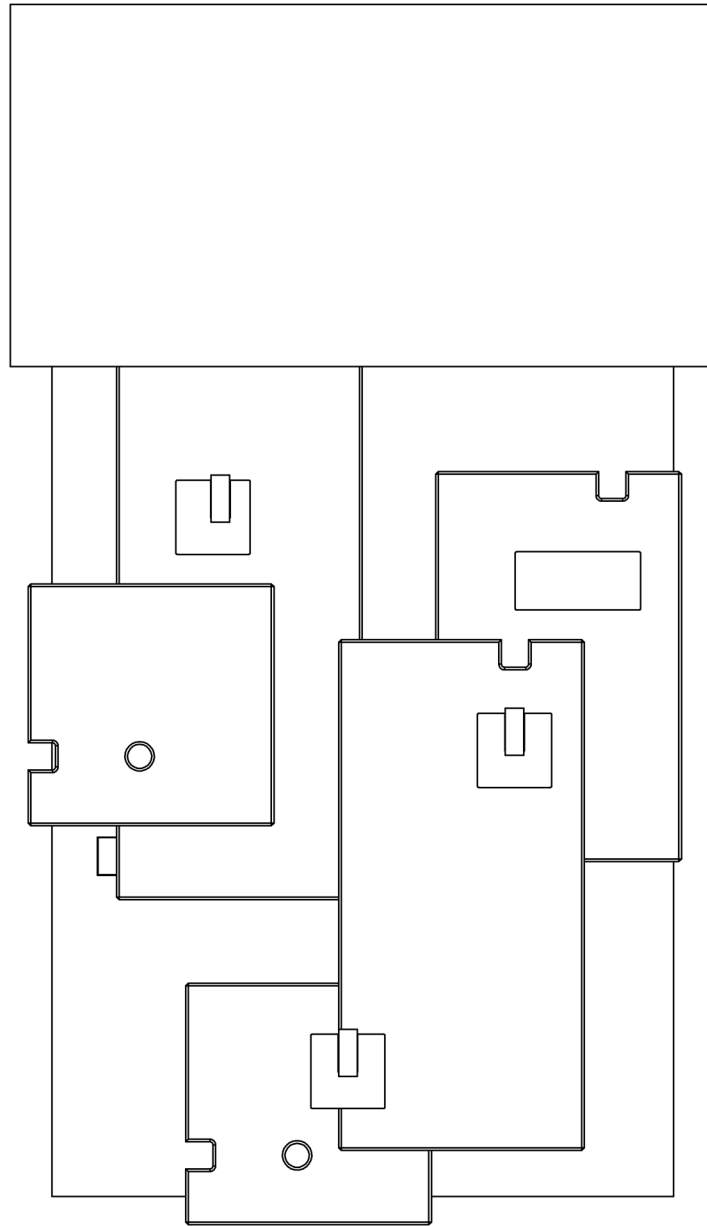


ASSEMBLY & INSTALLATION INSTRUCTIONS



ASSEMBLY & INSTALLATION INSTRUCTIONS

COMPONENT PARTS

A	Fixture Assembly
B	Mounting Bracket
C	#8 Screws (4)
D	Rubber Washer (2)
E	Ground Screw
F	Cupped Washer
G	Caulking Lip
H	Glass Plate
I	Plate Screws (2)
J	Spacer Assembly
K	#10 Screws (2)
L	Adjustment Screw
M	Small Glass Assembly
N	Large Glass Assembly
O	Rubber Bumper

ASSEMBLY & INSTALLATION INSTRUCTIONS

CAUTION: FAILURE TO INSTALL THIS FIXTURE PROPERLY MAY RESULT IN SERIOUS PERSONAL INJURY OR DEATH AND PROPERTY DAMAGE. We recommend installation by a licensed electrician. This product must be installed in accordance with applicable installation code(s), by a person familiar with the construction and operation of the product and the hazards involved.*

Caution: Do not exceed maximum wattage noted on fixture. Use only recommended bulbs with fixture.

To Attach to Wall (Figures 1 - 5)

CAUTION: BE SURE POWER IS OFF AT THE MAIN BREAKER BOX PRIOR TO INSTALLATION.

- Carefully unpack the fixture (A) from the carton.
- Glass plate (H) is shipped installed. Remove glass plate by removing the two plate screws (I) (Figure 1). Remove mounting bracket (B).
- Using two machine screws (not provided) attach mounting bracket (B) to the electrical box (Figure 2).

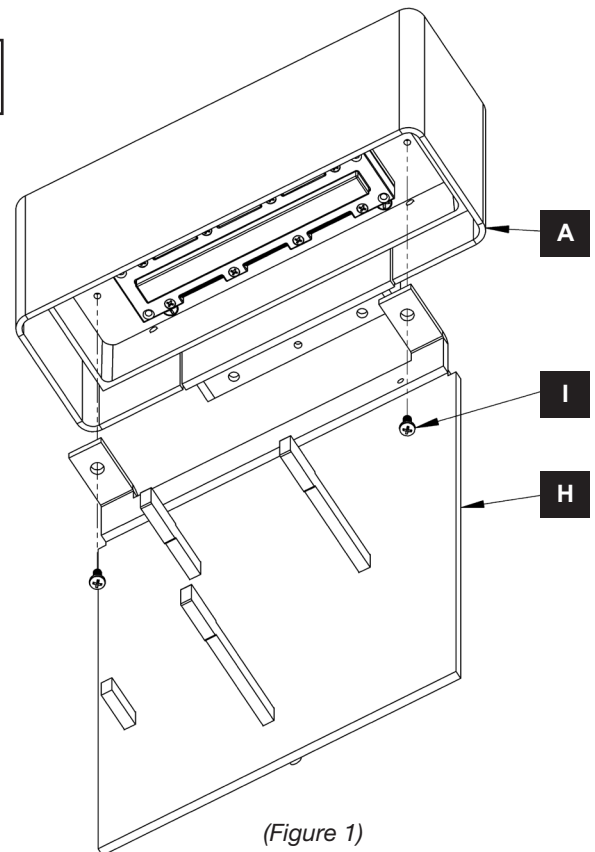
Note: A new electric box comes with screws. When replacing a fixture, retain the existing screws for use with the new fixture.
- Using the ground screw (E) and the cupped washer (F) found in kit bag, secure a pigtail lead to the mounting bracket (B).
- Hold the fixture (A) close to the mounting bracket (B) and using suitable wire connectors (not provided), connect fixture wires to supply wire (white to white and black to black). Connect all ground wires (bare copper or green to bare copper or green).

CAUTION: MAKE SURE WIRE CONNECTORS ARE TWISTED ON SECURELY, AND NO BARE WIRES ARE EXPOSED.

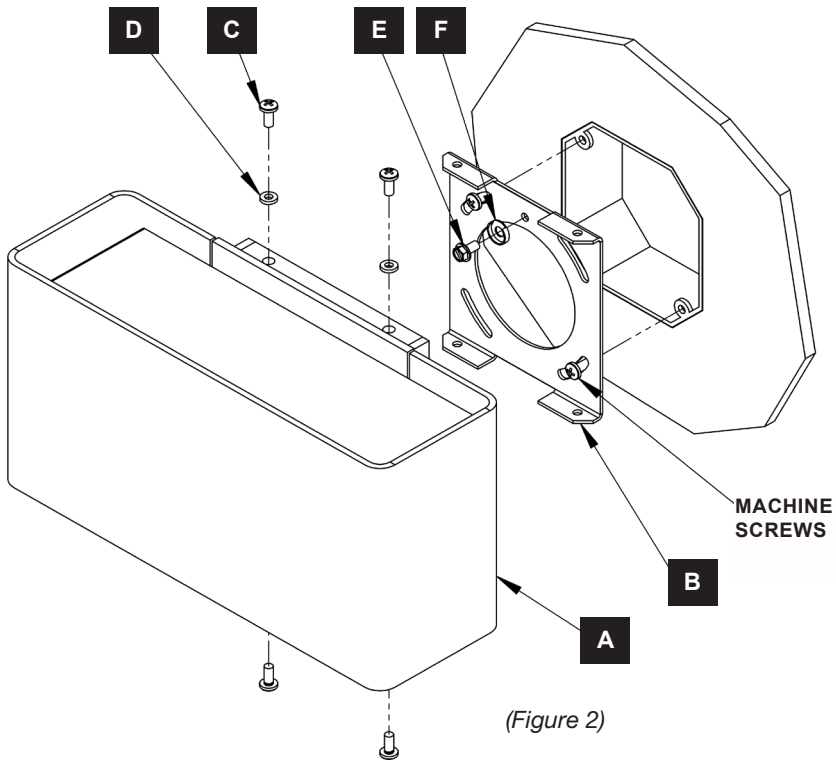
- Apply a generous bead of a suitable caulking material (not provided) to caulking lip (G) on the fixture. Caulk should be applied around the entire perimeter of the backplate (Figure 3).
- Carefully tuck all wires behind fixture and inside the mounting bracket (B). Place fixture firmly onto bracket and fasten with two #8 screws (C) and rubber washers (D) on top.

Note: Be sure no wires are pinched between the wall and fixture.
- Install the two remaining #8 screws (C) in bottom of fixture.
- Using the diagram in Figure 4, place a mark on the wall to locate the spacer assembly (J).
- Hold spacer assembly (J) level on the wall and using two #10 screws (K) provided in the kit bag, fasten the spacer assembly (J) to the wall (Figure 4).

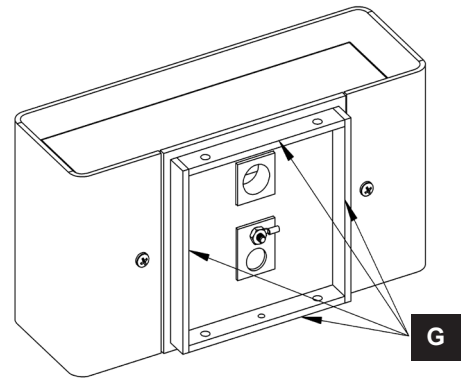
Note: Be sure adjustment screw (L) is on bottom.
- Place glass plate (H) up into fixture assembly (A) while aligning standoff in glass plate (H) with spacer assembly (J) and re-install plate screws (I) (Figures 1 & 5).
- If adjustment is needed to hold glass plate (H) plumb with wall, loosen adjustment screw (L), move glass plate (H) to desired position and retighten screw (L) (Figure 5).



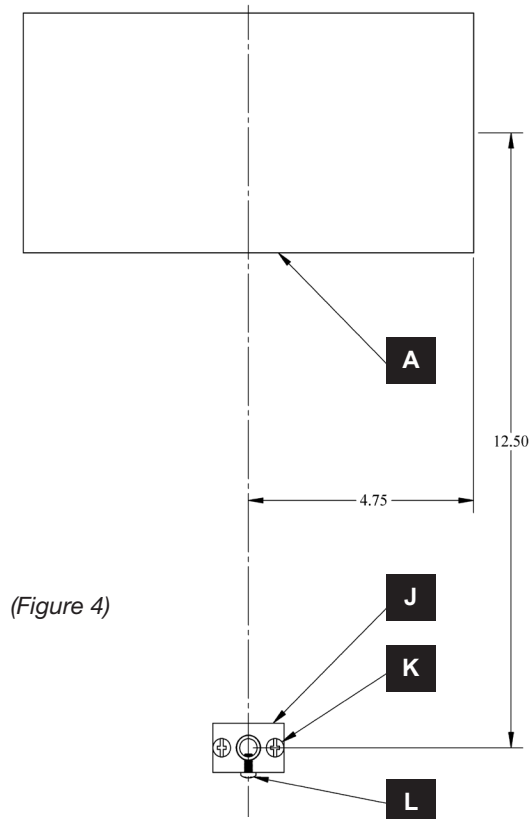
ASSEMBLY & INSTALLATION INSTRUCTIONS



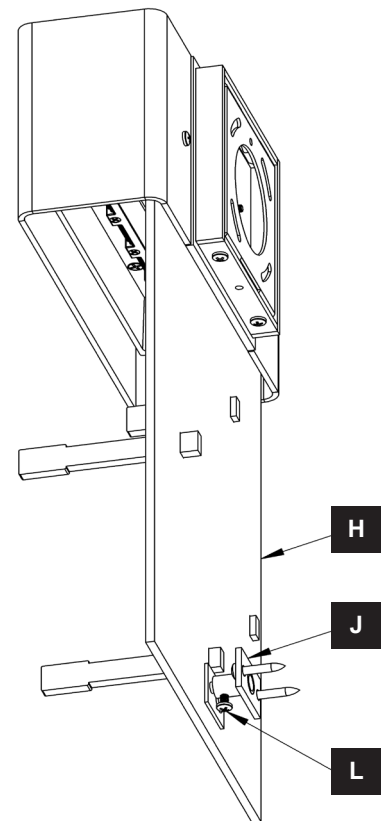
(Figure 2)



(Figure 3)



(Figure 4)



(Figure 5)

ASSEMBLY & INSTALLATION INSTRUCTIONS

To Install Glass (Figure 6)

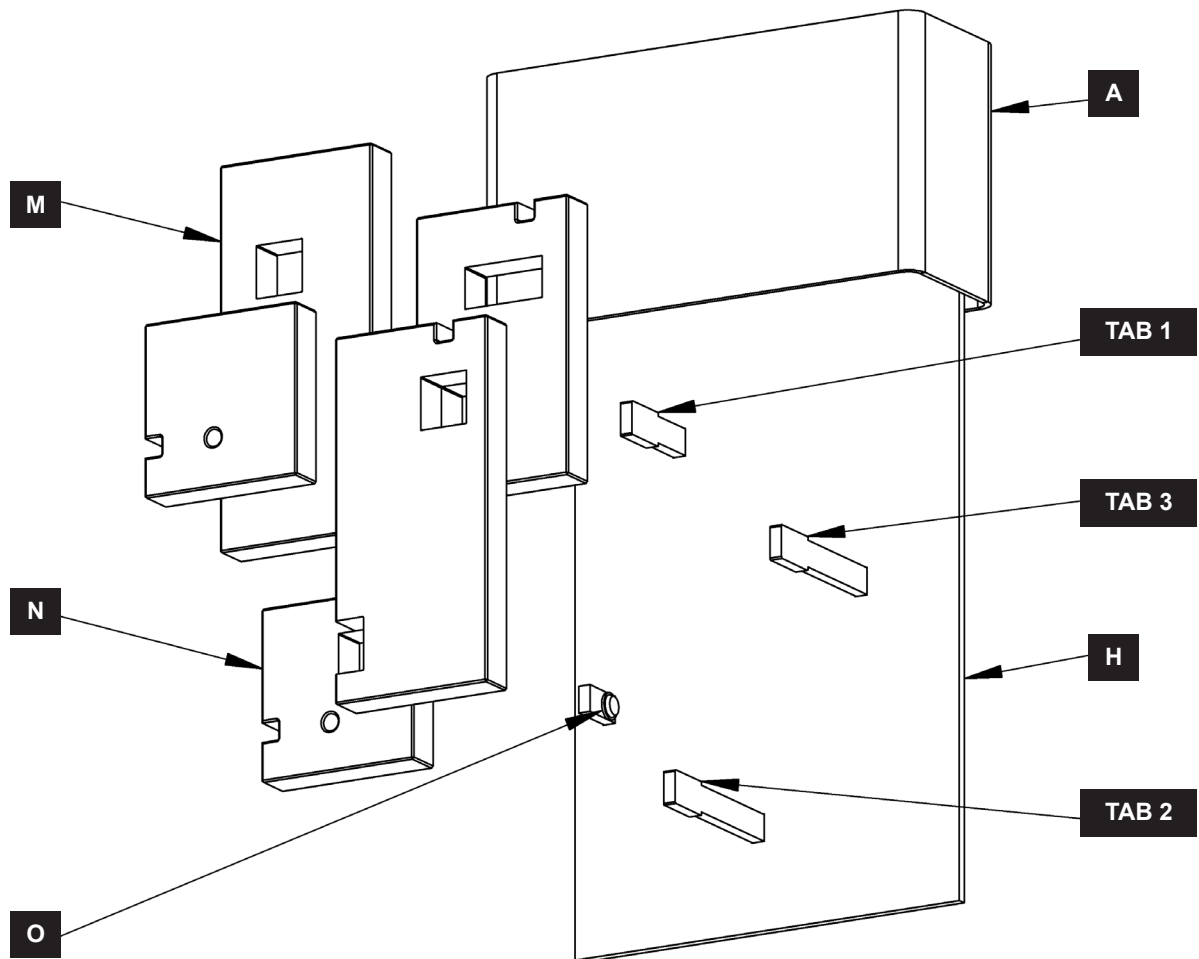
1. Unpack both glass assemblies (M & N).

Note: Small Glass Assembly contains (2) pieces of glass. Large Glass Assembly contains (3) pieces of glass.

2. Locate single rubber bumper (O) found in kit bag and install onto tab shown in Figure 6.

Note: Small rubber bumpers are also supplied. Use if necessary between glass and fixture or glass assemblies.

3. Slide square hole of the small glass assembly (M) onto Tab 1. Push glass assembly back to plate (H).
4. Install large glass assembly (N) as seen in Figure 6 over Tab 2 & Tab 3. Push large glass assembly (N) back to small glass assembly (M).
5. Restore electricity at main breaker.



(Figure 6)

If you need further assistance, or find that you are missing any parts, please contact the showroom from which you purchased this product. We hope you enjoy your fixture!

***ART+ALCHEMY will not be liable for injury or damage caused by improper installation, lamping or use of this fixture.**