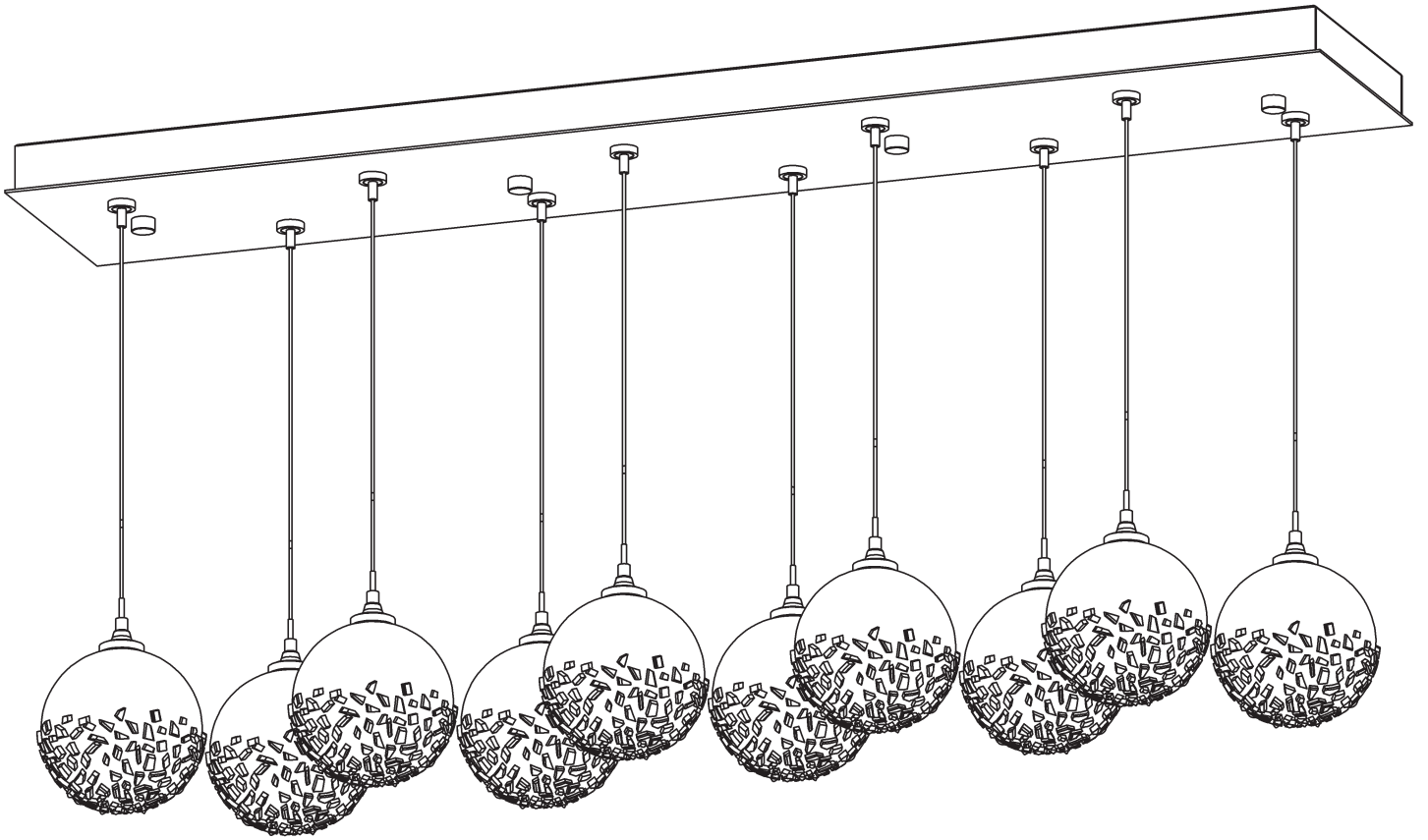


ASSEMBLY & INSTALLATION INSTRUCTIONS

A901

Fritz Multiport Rectangle 10lt Pendant 131130



HUBBARDTON FORGE.

MODERN AMERICAN BLACKSMITHS | FINE, HAND CRAFTED LIGHTING
CASTLETON, VERMONT USA | HUBBARDTONFORGE.COM

51495 Rev A

1 OF 8

Component Parts

A	Canopy
B	Canopy Cover Plate
C	#10 Screws (8)
D	Anchors (4)
E	Ground Screw
F	Cupped Washer
G	Safety Cable (4)
H	Safety Cable Nut (4)
I	Studs (4)
J	Gripper (10)
K	Supply/Support Cable (10)
L	Transformer
M	Wire Connector (8)
N	Cap (4)
O	Fixture (10)
P	Collar (10)
Q	Socket (10)
R	Bulb (10) <i>(sold separately)</i>
S	Glass (10)



ASSEMBLY & INSTALLATION INSTRUCTIONS

A901

Fritz Multiport Rectangle 10lt Pendant 131130

CAUTION: FAILURE TO INSTALL THIS FIXTURE PROPERLY MAY RESULT IN SERIOUS PERSONAL INJURY OR DEATH AND PROPERTY DAMAGE. We recommend installation by a licensed electrician. This product must be installed in accordance with applicable installation code(s), by a person familiar with the construction and operation of the product and the hazards involved.*

Caution: Do not exceed maximum wattage noted on fixture. Use only recommended bulbs with fixture.

Please Note: After installation extra hardware and accessories are possible due to our kits are used on multiple products and options.

To Install Canopy (Figure 1 - on following page)

CAUTION: BE SURE POWER IS OFF AT THE MAIN BREAKER BOX PRIOR TO INSTALLATION.

1. Carefully unpack canopy and fixture from the carton.
2. Locate canopy (A). Remove caps (N) from studs (I) in canopy (A) and set canopy cover plate (B) aside for later use.
3. The canopy will need to be secured to a structural member in the ceiling. For additional holes needing anchors, place canopy (A) over the electrical box. Line up holes in canopy with holes in electrical box. With a pencil, mark the location of mounting holes needing anchors in canopy on ceiling. Set canopy (A) aside.
4. Drill 1/4" holes in the locations marked on the ceiling. Place the tapered end of the anchors (D) into the holes and gently tap them flush to the ceiling using a light weight hammer.
5. Thread the wires in the electrical box through the hole in the canopy (A) while moving the canopy into position. Using two machine screws (not provided) fasten canopy (A) to the electric box.

Note: A new electric box comes with screws. When replacing a fixture, retain the existing screws for use with the new fixture.

6. Using wood screws (C) attach canopy (A) to a structural member in the ceiling. Additional holes may need to be drilled in the mounting plate to allow screws to be secured to a structural member.

Note: Wood screws are supplied with your fixture; however, different materials and/or construction methods may require different fasteners. If in doubt, contact a qualified electrician.

CAUTION: DO NOT RELY ON ANCHORS ALONE TO SUSPEND FIXTURE. FIXTURE MUST BE ATTACHED TO A STRUCTURAL MEMBER IN THE CEILING.

CAUTION: INSTALLER MUST ENSURE THAT THE MOUNTING METHOD IS CAPABLE OF SUPPORTING THE WEIGHT OF THE FIXTURE.

7. Install screws (C) into remaining holes with anchors (D). Be sure not to over tighten and strip the anchor (D).
8. Remove nuts (H) from studs on canopy cover plate (B) and retain for use in next step.
9. Raise canopy cover plate (B). Slide end of safety cables (G) over studs and reattach nuts (H). Safety cables (G) are used to temporarily suspend canopy cover plate (B) while connections are made.
10. Attach a pigtail lead to canopy (A) using ground screw (E) and cupped washer (F), found in kit bag.
11. Using suitable wire connectors (not provided) connect transformer wires to supply wires (white to white and black to black). Connect all ground wires (bare copper or green to bare copper or green) together.

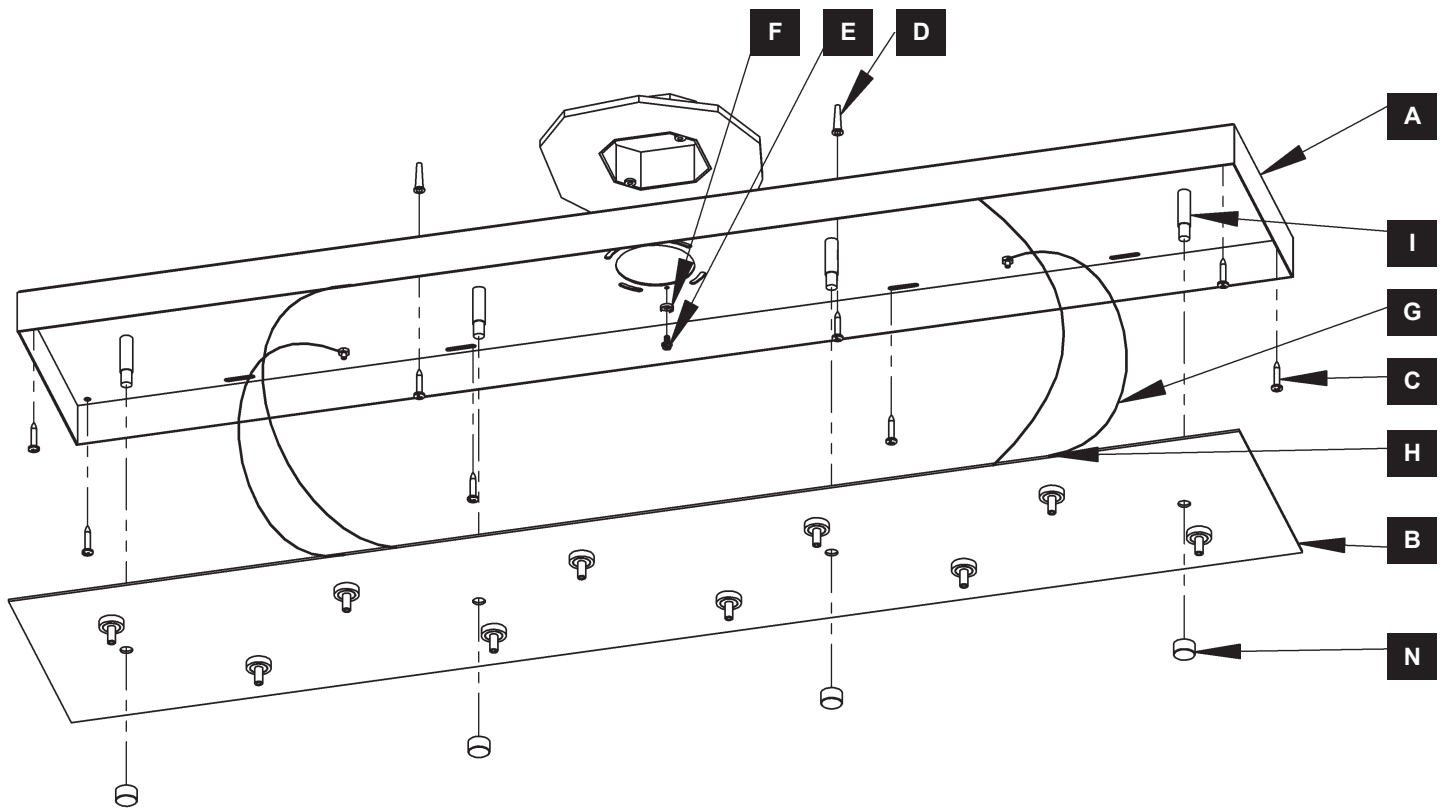
CAUTION: MAKE SURE WIRE CONNECTORS ARE TWISTED ON SECURELY, AND NO BARE WIRE IS EXPOSED.

12. Continue steps on following pages to complete fixture wiring.

ASSEMBLY & INSTALLATION INSTRUCTIONS

A901

Fritz Multiport Rectangle 10lt Pendant 131130



(Figure 1)



HUBBARDTON FORGE.

MODERN AMERICAN BLACKSMITHS | FINE, HAND CRAFTED LIGHTING
CASTLETON, VERMONT USA | HUBBARDTONFORGE.COM

51495 Rev A

4 OF 8

Fritz Multiport Rectangle 10lt Pendant 131130

To Install Fixtures *(Figures 2 & 3 - on following pages)*

1. Unpack fixtures (O).
2. Twist together wires and slide through gripper (J) in canopy cover plate (B).
3. Repeat for remaining fixtures (O) and grippers (J).
4. Reference Figure 3 - Wiring Diagram on page 7 for the following steps:
5. Wire connectors (M) and jumper wires have been attached to red transformer (L) wires to aid in wiring installation.
6. Using provided wire connectors (M) and black jumper wires, connect Stranded fixture wires to each other and then to wire connector (M) attached to the red transformer (L) wire. Wires should be stripped 3/8" maximum.
7. Following same sequence again from Figure 3; using provided wire connectors (M) and white jumper wires, connect Braided fixture wires to each other and then to the wire connector (M) attached to the red transformer (L) wire.
8. Align holes in canopy cover plate (B) with studs (I) in canopy (A). Raise canopy cover plate (B) and fixtures (O) to canopy (A).
9. Secure canopy cover plate (B) by threading caps (N) onto studs (I).

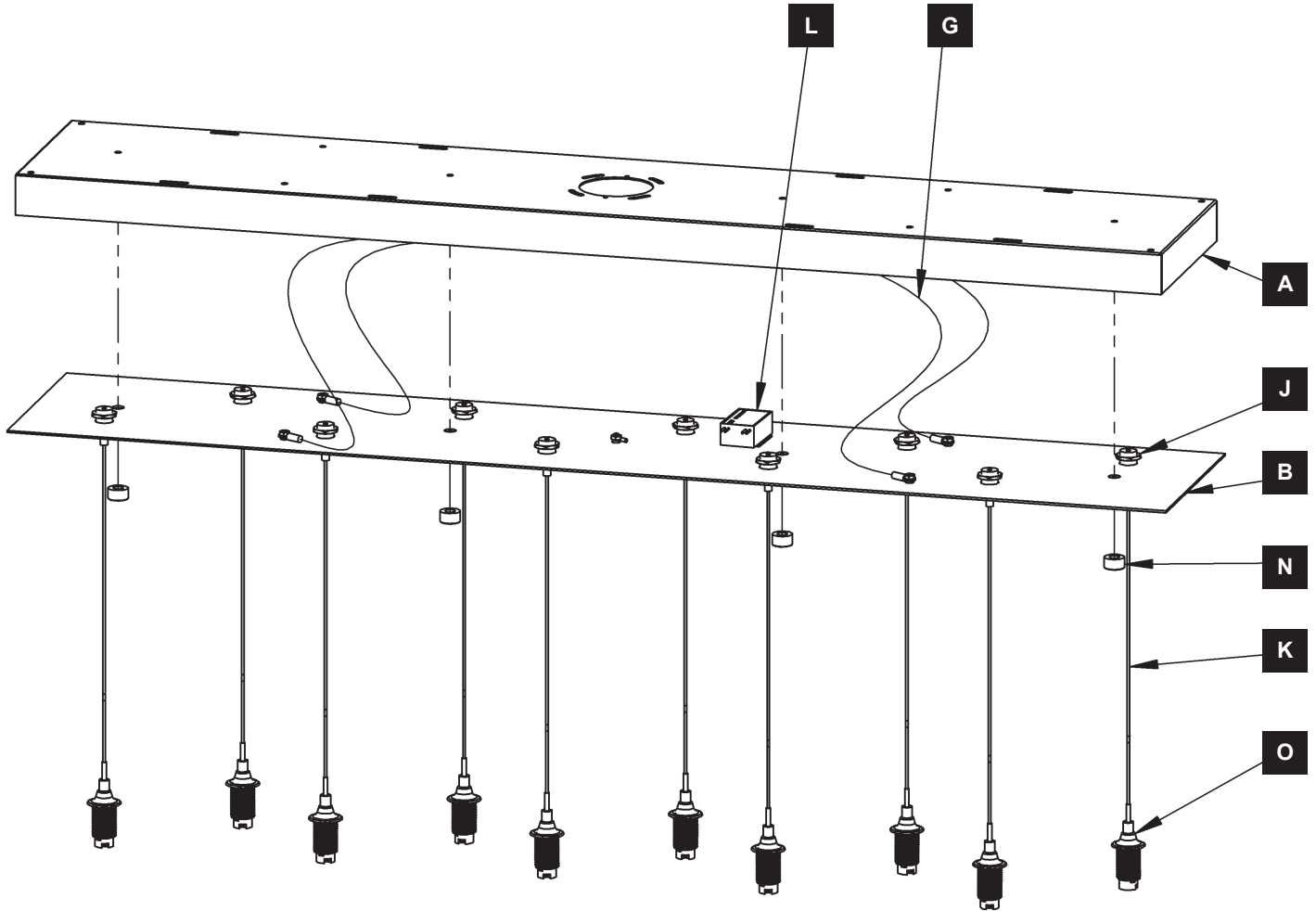
CAUTION: BE SURE NO WIRES ARE PINCHED BETWEEN THE CANOPY (A) AND COVER PLATE (B).

10. Push supply/support cable (K) into gripper (J) until desired height is reached.
11. If cable needs to be pulled from canopy, push up on gripper (J) plunger while gently pulling on supply/support cable (K) to adjust length.
12. Repeat for remaining fixtures (O).
13. Follow instructions on following page to install glass.

ASSEMBLY & INSTALLATION INSTRUCTIONS

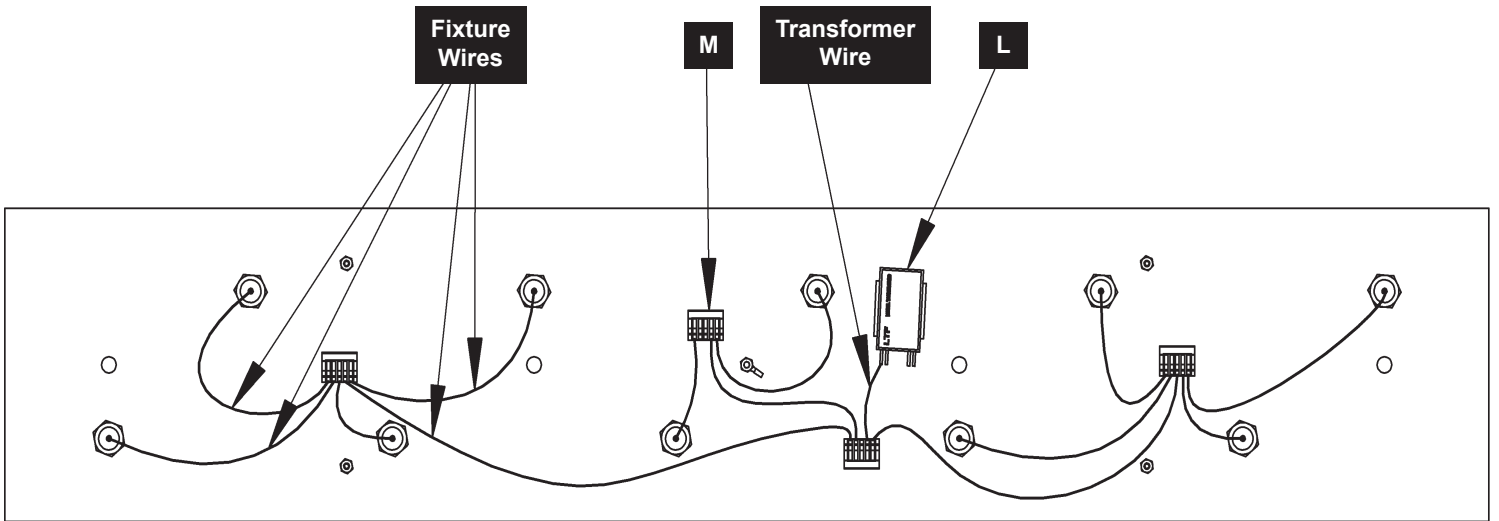
A901

Fritz Multiport Rectangle 10lt Pendant 131130



(Figure 2)

Fritz Multiport Rectangle 10lt Pendant 131130



Wire Diagram Used for Stranded and Braided Fixture (O) Wires.

Stranded Wire

(Figure 3)

Braided Wire



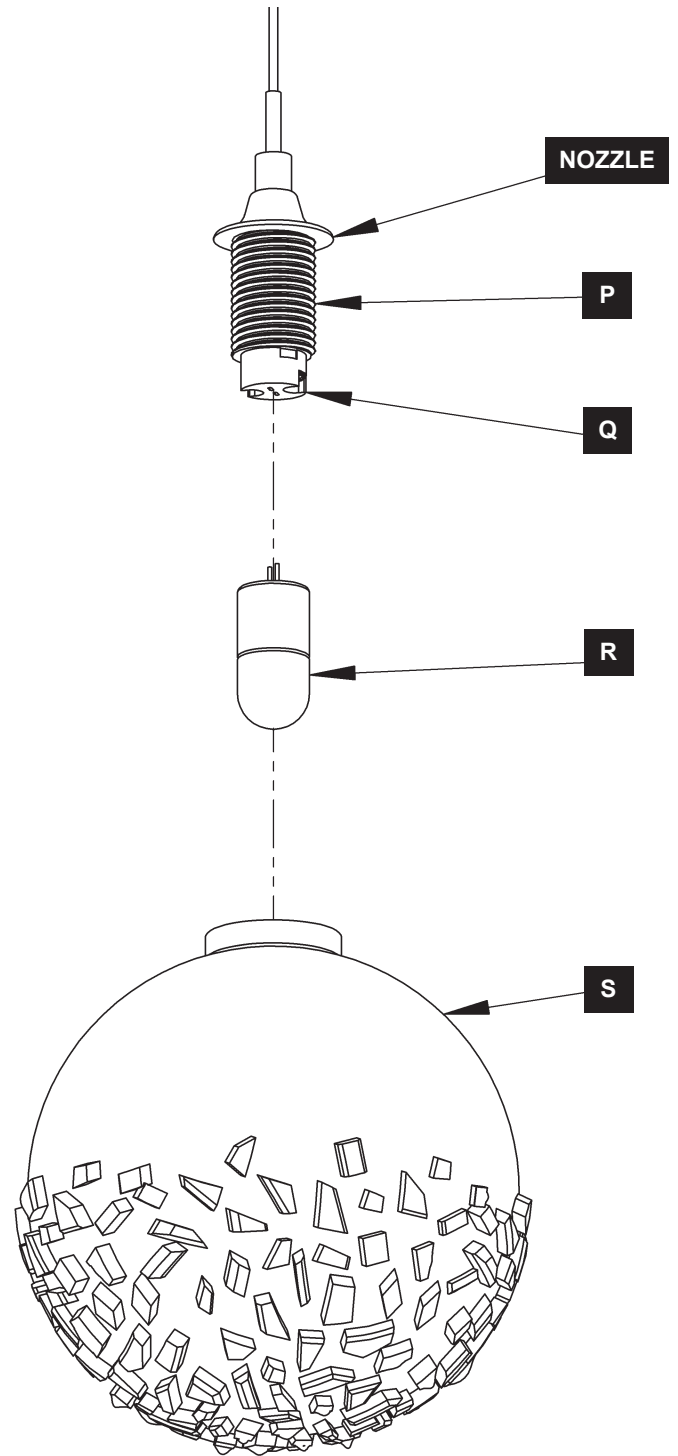
ASSEMBLY & INSTALLATION INSTRUCTIONS

A901

Fritz Multiport Rectangle 10lt Pendant 131130

To Install Glass *(Figure 4)*

1. Install bulb (R), not included, into socket (Q).
2. Carefully unpack glass (S) and thread onto collar (P) until it touches nozzle.
3. Repeat for remaining glass (S) and bulbs (R).
4. Restore electricity at the main breaker



(Figure 4)

If you need further assistance, or find that you are missing any parts, please contact the dealer from which you purchased this product. We hope you enjoy your fixture!

**** Hubbardton Forge will not be liable for injury or damage caused by improper installation, lamping or use of this fixture.***



HUBBARDTON FORGE.

MODERN AMERICAN BLACKSMITHS | FINE, HAND CRAFTED LIGHTING
CASTLETON, VERMONT USA | HUBBARDTONFORGE.COM

51495 Rev A

8 OF 8