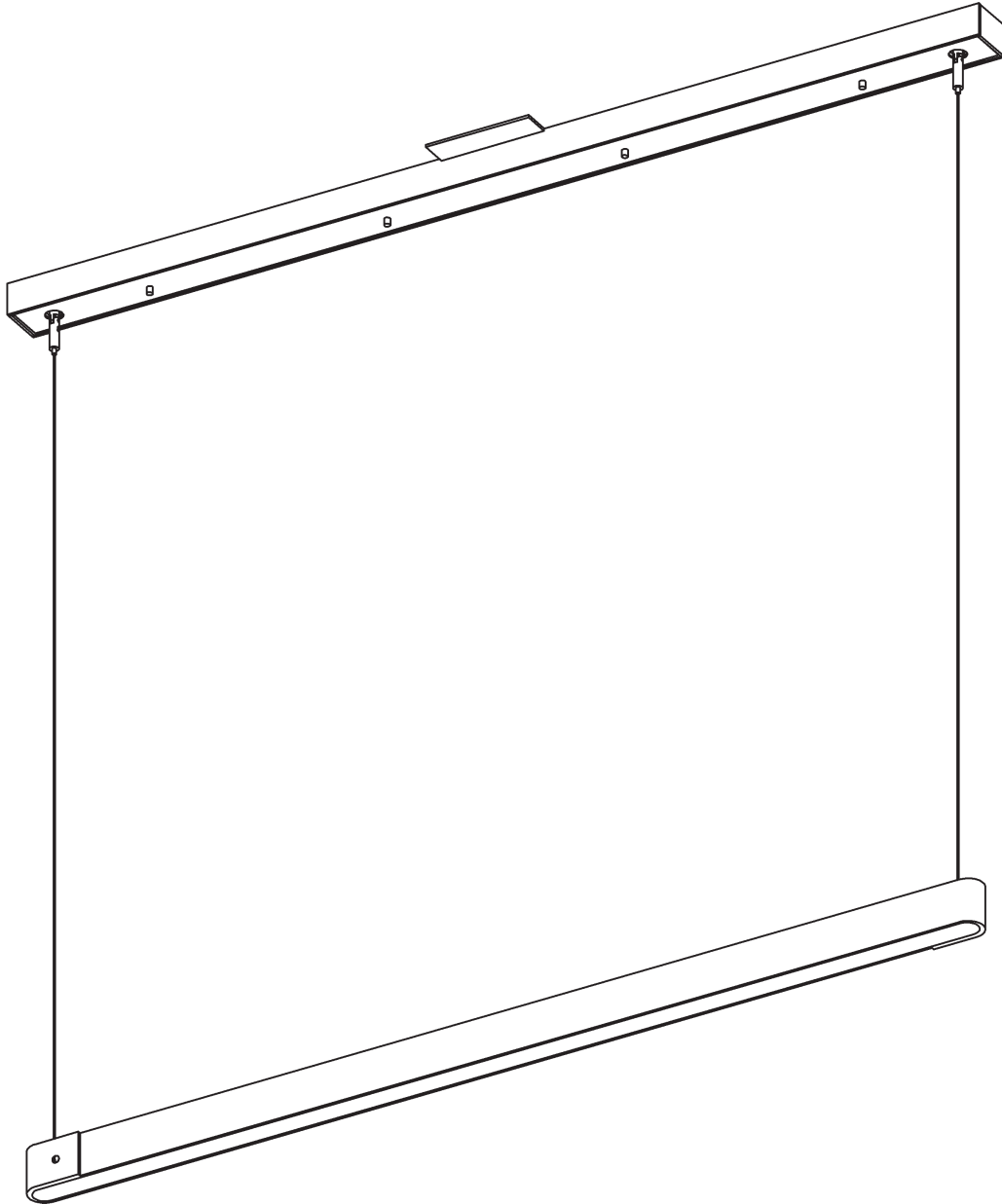


ASSEMBLY & INSTALLATION INSTRUCTIONS

A511

Fold Pendant - 401358



Component Parts

- A Canopy**
- B Canopy Cover Plate**
- C Knobs (4)**
- D Anchors (4)**
- E #10 Screws (4)**
- F Grippers (2)**
- G Cupped Washer**
- H Ground Screw**
- I Box Cover - 4"**
- J #8 Screw**
- K Fixture**
- L Supply/Support Cables (2)**



ASSEMBLY & INSTALLATION INSTRUCTIONS

A511

Fold Pendant - 401358

CAUTION: FAILURE TO INSTALL THIS FIXTURE PROPERLY MAY RESULT IN SERIOUS PERSONAL INJURY OR DEATH AND PROPERTY DAMAGE. We recommend installation by a licensed electrician. This product must be installed in accordance with applicable installation code(s), by a person familiar with the construction and operation of the product and the hazards involved.*

Caution: Do not exceed maximum wattage noted on fixture. Use only recommended bulbs with fixture.

TO INSTALL TO SINGLE BOX (Figure 1 - ON FOLLOWING PAGE)

1. Carefully unpack fixture from carton.
2. Unscrew knobs (C) from canopy (A).
3. Remove canopy cover plate (B). Set knobs and canopy cover plate aside.
4. Center canopy (A) over the electrical box. With a pencil, mark the location of desired mounting holes on the ceiling. Set canopy aside.
5. Drill 1/4" holes in the locations marked on the ceiling. For holes using anchors (D), place the tapered end of the anchor into the hole and gently tap them flush to the ceiling using a light weight hammer.
6. Thread the wires in the electrical box through the center hole in the canopy (A) while moving the canopy into position. Using two machine screws (not provided) attach the canopy to electrical box.
Note: A new electric box comes with screws. When replacing a fixture, retain the existing screws for use with the new fixture.
7. Using the #10 screws (E), screw canopy (A) to the ceiling. Be careful not to over-tighten or strip the anchors (D).
8. Attach a pigtail lead to the canopy (A) using the provided ground screw (H) and cupped washer (G), found in kit bag.
9. Using suitable wire connectors (not provided), connect fixture wires to supply wires (white to white and black to black). Hold cover plate (B) close, connect all ground wires (bare copper or green to bare copper or green).

CAUTION: MAKE SURE WIRE CONNECTORS ARE TWISTED ON SECURELY, AND NO BARE WIRE IS EXPOSED.

10. Raise canopy cover plate (B) over grippers (F) and re-secure with knobs (C).

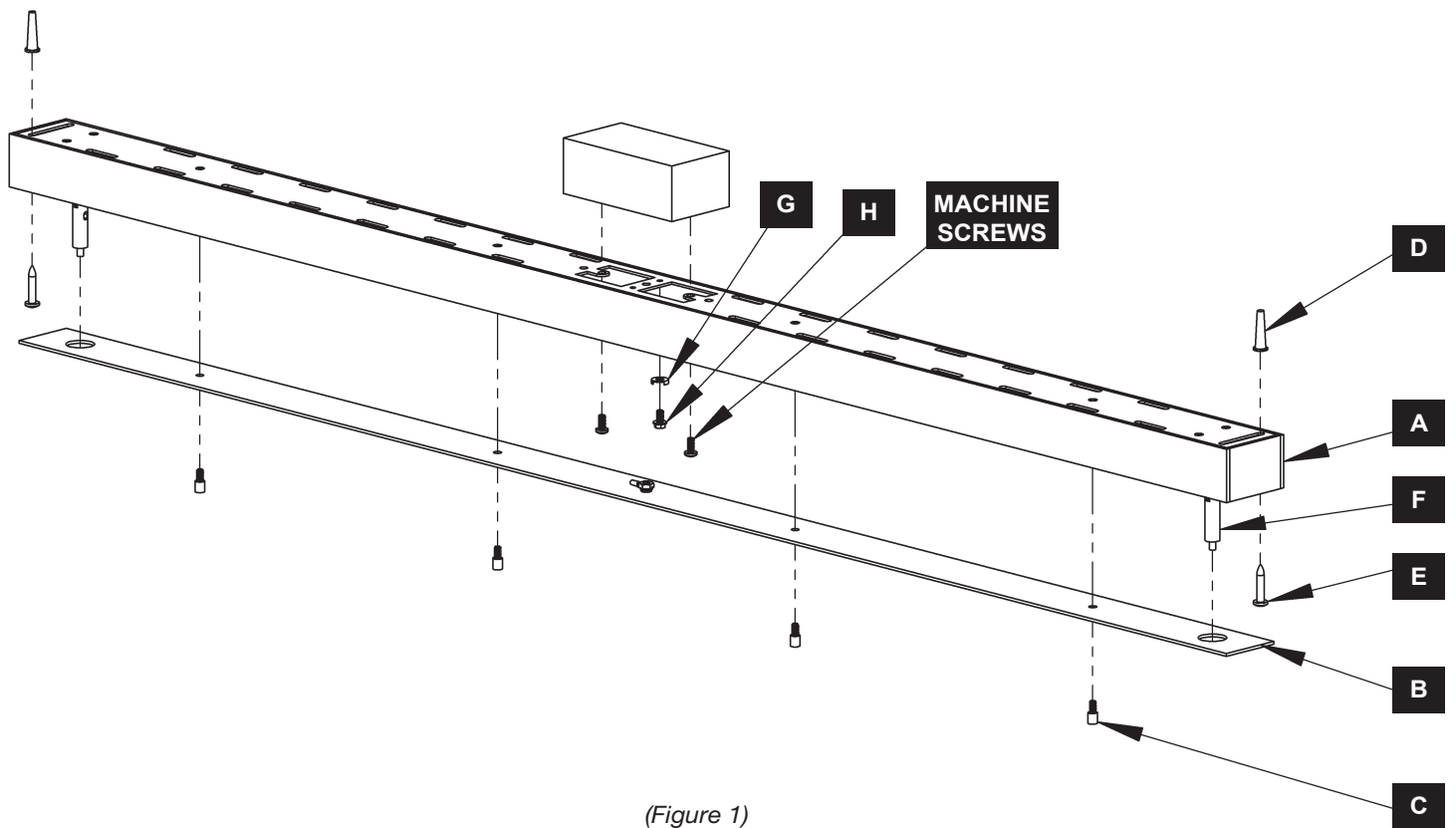
NOTE: Be sure no wires are pinched between cover plate and canopy.

11. See instructions on last page to complete installation

ASSEMBLY & INSTALLATION INSTRUCTIONS

A511

Fold Pendant - 401358



(Figure 1)

ASSEMBLY & INSTALLATION INSTRUCTIONS

A511

Fold Pendant - 401358

CAUTION: FAILURE TO INSTALL THIS FIXTURE PROPERLY MAY RESULT IN SERIOUS PERSONAL INJURY OR DEATH AND PROPERTY DAMAGE. We recommend installation by a licensed electrician. This product must be installed in accordance with applicable installation code(s), by a person familiar with the construction and operation of the product and the hazards involved.*

Caution: Do not exceed maximum wattage noted on fixture. Use only recommended bulbs with fixture.

TO INSTALL TO 4" BOX (Figure 2 - ON FOLLOWING PAGE)

1. Carefully unpack fixture from carton.
2. Unscrew knobs (C) from canopy (A).
3. Remove canopy cover plate (B). Set knobs and canopy cover plate aside.
4. Attach box cover (I) to canopy (A) using a #8 screw (J).
5. Center canopy (A) over the electrical box. With a pencil, mark the location of desired mounting holes on ceiling. Set canopy aside.
6. Drill 1/4" holes in the locations marked on the ceiling. For holes using anchors (D), place the tapered end of the anchor into the hole and gently tap them flush to the ceiling using a light weight hammer.
7. Thread the wires in the electrical box through the center hole in the canopy (A) while moving the canopy into position. Using two machine screws (not provided) attach the canopy to electrical box.

Note: A new electric box comes with screws. When replacing a fixture, retain the existing screws for use with the new fixture.

8. Using the #10 screws (E), screw canopy (A) to the ceiling. Be careful not to over-tighten or strip the anchors (D).
9. Using suitable wire connectors (not provided), connect fixture wires to supply wires (white to white and black to black). Hold cover plate (B) close, connect all ground wires (bare copper or green to bare copper or green).

CAUTION: MAKE SURE WIRE CONNECTORS ARE TWISTED ON SECURELY, AND NO BARE WIRE IS EXPOSED.

10. Raise canopy cover plate (B) over grippers (F) and re-secure with knobs (C).

NOTE: Be sure no wires are pinched between cover plate and canopy.

11. See instructions on last page to complete installation



HUBBARDTON FORGE.

MODERN AMERICAN BLACKSMITHS | FINE, HAND CRAFTED LIGHTING
CASTLETON, VERMONT USA | HUBBARDTONFORGE.COM

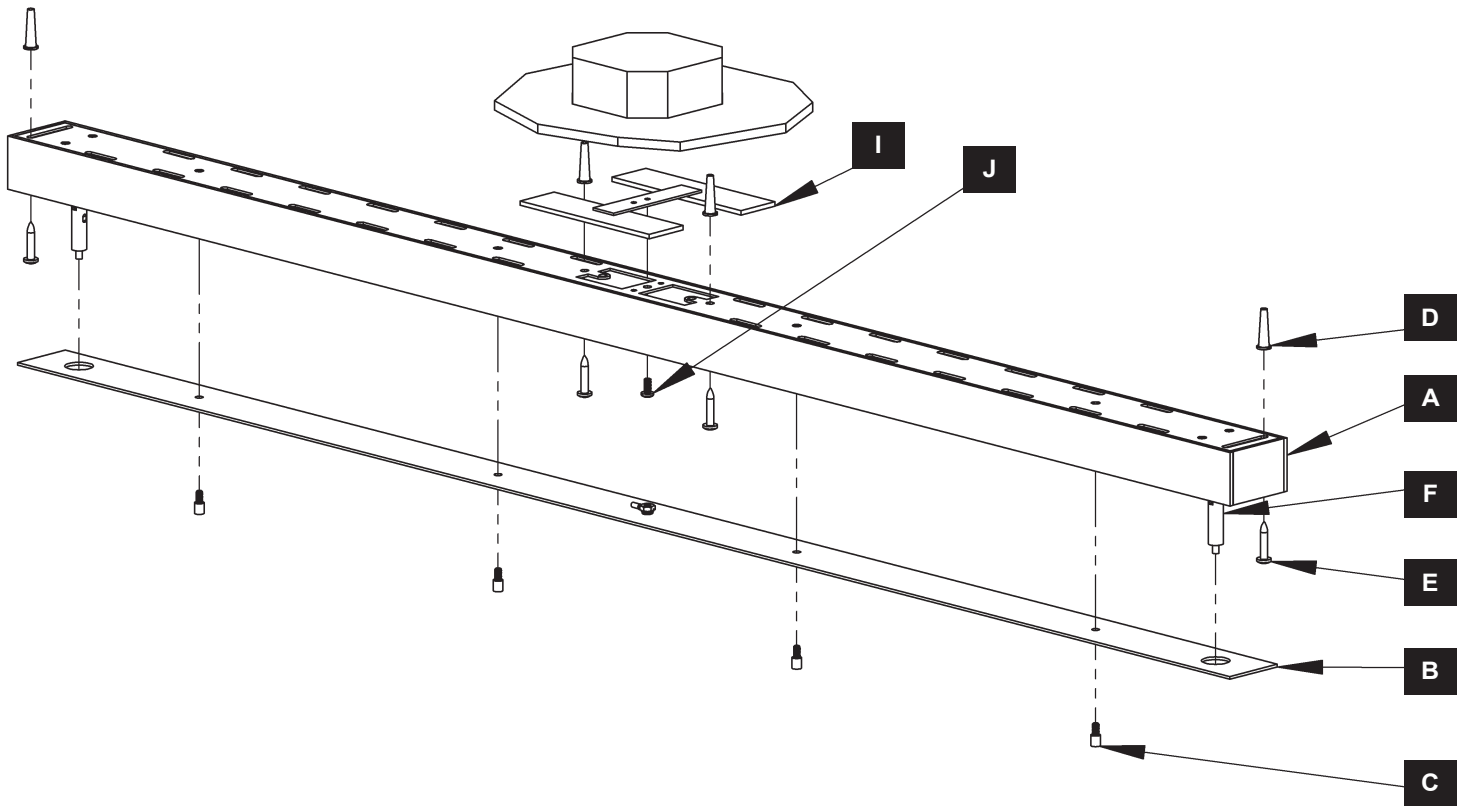
39536 Rev A

5 OF 7

ASSEMBLY & INSTALLATION INSTRUCTIONS

A511

Fold Pendant - 401358



(Figure 2)

ASSEMBLY & INSTALLATION INSTRUCTIONS

A511

Fold Pendant - 401358

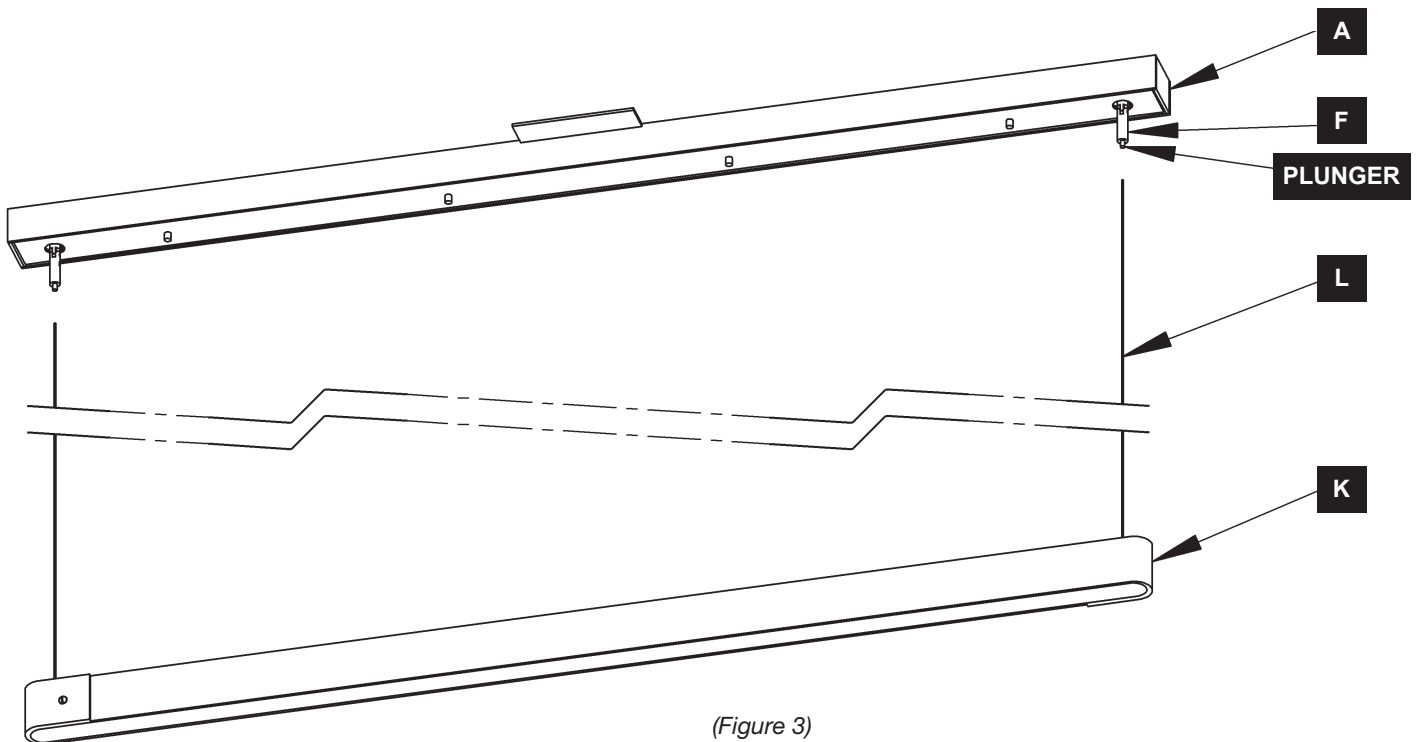
TO COMPLETE INSTALLATION (Figure 3)

1. Locate fixture (K) and uncoil both supply/support cables (L) to determine the (+) cable.
2. Align the (+) supply/support cable (L) with the (+) gripper (F) in canopy (A).
3. Push support/supply cable (L) from the positive (+) side of the fixture (K) into the positive (+) gripper (F). Push the cable in far enough so that it exits the side of the gripper.
4. Repeat step 3 for the remaining supply/support cable (L) and gripper (F).
5. Adjust fixture (K) to desired height by pressing in the plunger on the gripper (F) and pushing/pulling the supply/support cables (L) as necessary.
6. Once the fixture (K) is at the desired height cut the supply/support cables (L) as close to the notch in the gripper (F) as possible.

CAUTION: ONCE EXCESS CABLE IS CUT, FIXTURE CANNOT BE LOWERED.

CAUTION: FIXTURE WILL NOT LIGHT IF ANY PART OF THE SUPPORT CABLE IS TOUCHING THE FIXTURE.

7. Restore electricity at the main breaker.



If you need further assistance, or find that you are missing any parts, please contact the dealer from which you purchased this product. We hope you enjoy your fixture!

*** Hubbardton Forge will not be liable for injury or damage caused by improper installation, lamping or use of this fixture.**

 HUBBARDTON FORGE.

MODERN AMERICAN BLACKSMITHS | FINE, HAND CRAFTED LIGHTING
CASTLETON, VERMONT USA | HUBBARDTONFORGE.COM

39536 Rev A

7 OF 7