

Assembly & Installation Instructions

A120

For Exos Wave Five-Light Pendant 13-7545

Page 1 of 3

CAUTION: FAILURE TO INSTALL THIS FIXTURE PROPERLY MAY RESULT IN SERIOUS PERSONAL INJURY OR DEATH AND PROPERTY DAMAGE. We recommend installation by a licensed electrician.

This product must be installed in accordance with applicable installation code(s), by a person familiar with the construction and operation of the product and the hazards involved.*

Caution: Do not exceed maximum wattage noted on fixture. Use only recommended bulbs with fixture.

To Attach Fixture Pipes (Figure 1)

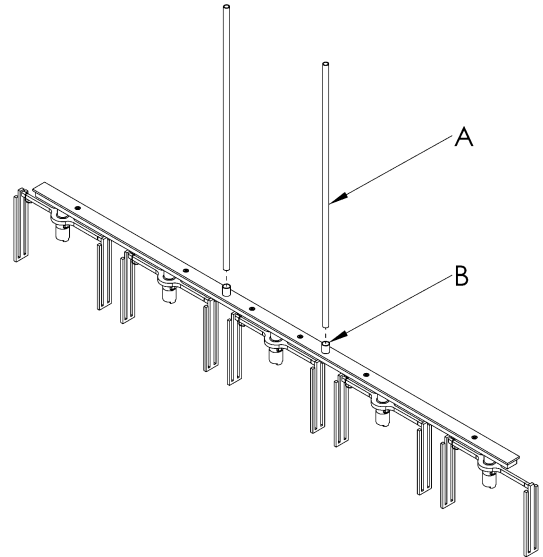
Component Parts

- A Fixture Pipe
- B Fixture Coupling

1. Carefully unpack the fixture from the carton.
2. Carefully thread fixture pipe (A), threaded end first, over fixture wires.
3. Apply a drop of the supplied thread locking compound to the internal threads at the top of the fixture (B) and screw stem into fixture, being careful not to twist the wires.

Note: Application of the thread locking compound is necessary to prevent the stem from loosening during regular maintenance and cleaning of the fixture. Be certain to apply the compound.

4. See instructions below to complete the installation.



(Figure 1)

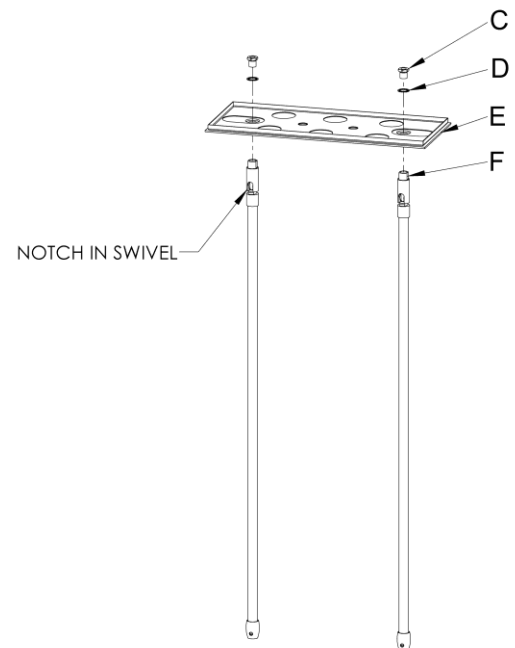
To Assemble Canopy (Figure 2)

Component Parts

- C Hex Nipple (2)
- D Lock Washer (2)
- E Canopy
- F Swivel (2)

1. Insert threaded end of hex nipple (C) down through lock washer (D), canopy (E) and into swivel (F).
2. Tighten securely being sure the notches in the swivels are aligned.

Note: If installing on a sloped ceiling, make certain that the notches in the swivel portion of the stems are oriented toward the lower side of the slope.



(Figure 2)

(continued)

Assembly & Installation Instructions

For Exos Wave Five-Light Pendant 13-7545

A120

Page 2 of 3

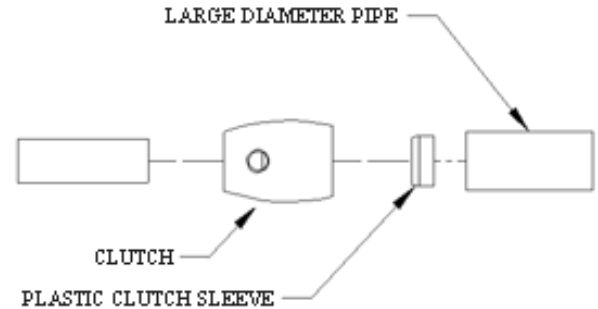
To Complete Fixture Assembly (Figures 3 & 4)

Component Parts

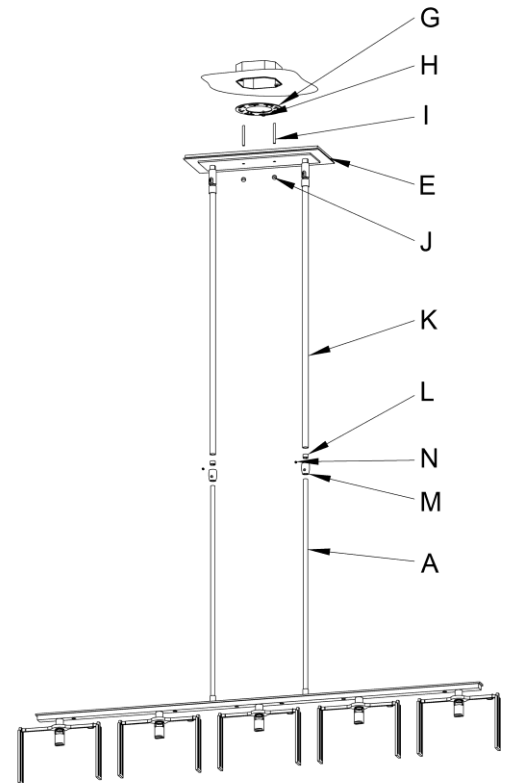
A	Fixture Pipe (2)	I	Threaded Stud (2)	M	Clutch (2)
E	Canopy	J	Knurl Ball (2)	N	Set Screw (2)
G	Crossbar	K	Canopy Pipe (2)		
H	Ground Screw	L	Plastic Clutch Sleeve (2)		

Caution: Be sure power is off at the main breaker box prior to installation.

1. Thread the wires from the fixture pipe (A) into and through the canopy pipe (K) up through the canopy (E).
2. Unscrew the clutch (M) from the canopy pipe (K); slide it across the wires and onto the fixture pipe (A). Follow this with the plastic clutch sleeve (L), oriented so the tapered end of the clutch sleeve nests in the clutch.
3. Slide the canopy pipe (K) as far as necessary to give you the total length of the fixture which you desire. Be careful not to scratch the pipe surfaces and to pull excess wire up through the canopy pipe (K). Screw clutch (M) onto canopy pipe (K). There must be a minimum 1-1/2" of inner pipe inside the outer pipe. Hand-tighten the clutch to temporarily hold this adjustment. The clutch is not securely fastened at this point; do not depend on it to hold the fixture.
Important: To ensure full connection strength, be sure the tapered end of the plastic clutch sleeve is oriented toward the clutch when assembled. (Figure 3).
4. Tighten the set screws (N) firmly with hex wrench provided. Only after the set screw (N) is tight should you install to the ceiling.
5. Thread studs (I) through appropriate holes in crossbar (G) to match holes in canopy (E).
6. Using two machine screws (not provided), fasten the crossbar (G) to the electric box.
Note: A new electric box comes with screws. When replacing a fixture, retain the existing screws for use with the new fixture.
7. Using suitable wire connectors (not provided) connect fixture wires to supply (white to white and black to black). Connect all ground wires to green ground screw (H).
Caution: Make sure wire connectors are twisted on securely, and no bare wire is exposed.
8. Slide canopy (E) over threaded studs (I) and push firmly to ceiling, making sure that no wires are pinched between fixture canopy and ceiling. Fasten with knurled balls (J). Be sure studs are fully seated in the knurled balls.
Note: Be sure both swivel notches are aligned in the same direction. For sloped ceilings the notches should face towards the down side.
9. Refer instructions below and install glass.
10. Restore electricity at main breaker.



(Figure 3)



(Figure 4)

(continued)

Assembly & Installation Instructions

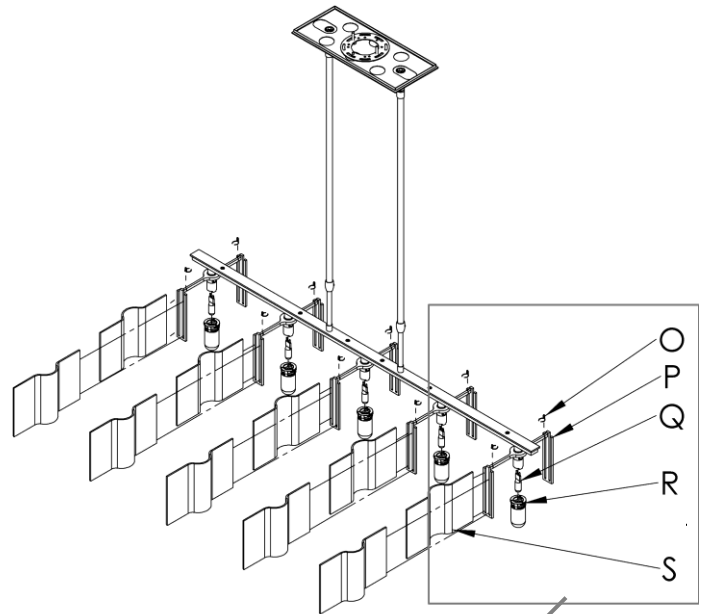
For Exos Wave Five-Light Pendant 13-7545

To Install Glass (Figure 5)

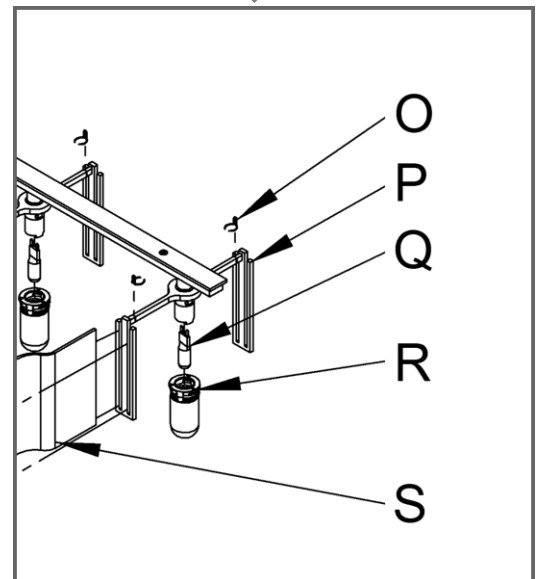
Component Parts

- O Metal Glass Clip (10)
- P Glass Frame (5)
- Q Bulb (5)
- R Bulb Shield (5)
- S Glass (10)

1. Install light bulb (Q). *Be careful not to touch bulb with bare hands. Oil from the hands will dramatically reduce bulb life.*
2. Thread bulb shield (R) onto socket. Future bulb changes may be accomplished by snapping glass bulb shield on and off rather than unthreading the holder.
3. Turn glass frame (P) to make glass installation easier.
4. Mount metal glass clip (O) into notches on glass frame (P).
5. Slide one side of glass (S) into slots in glass frame (P).
6. Slide other side of glass (S) into glass frame (P).
7. Align the glass until it protrudes equal amounts on both sides of fixture.
8. Turn glass frame (P) to desired angle.



(Figure 5)



If you need further assistance, or find that you are missing any parts, please contact the dealer from which you purchased this product. We hope you enjoy your fixture!

* Hubbardton Forge will not be liable for injury or damage caused by improper installation, lamping or use of this fixture.