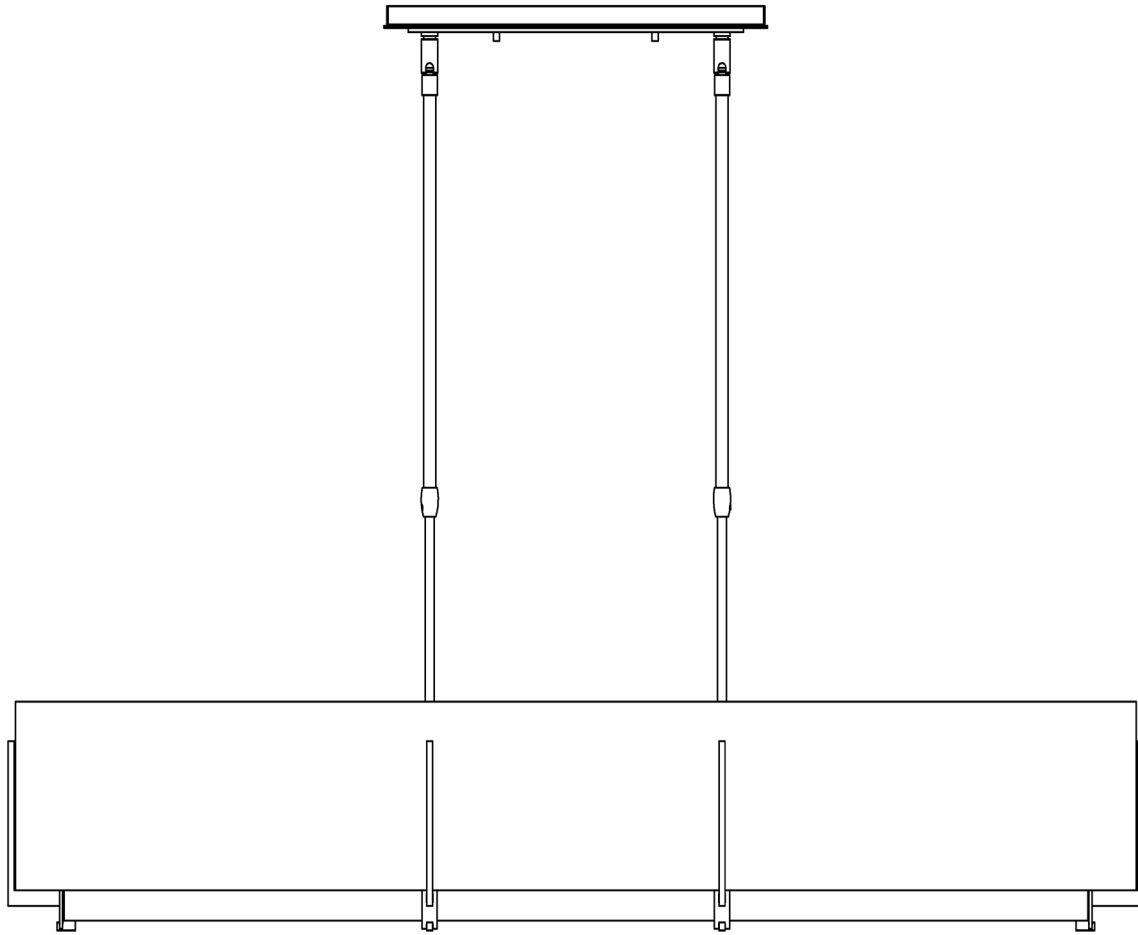


ASSEMBLY & INSTALLATION INSTRUCTIONS

A557

139640 Exos Rectangular Pendant



ASSEMBLY & INSTALLATION INSTRUCTIONS

A557

139640 Exos Rectangular Pendant

Component Parts	A	Fixture Pipe (2)
	B	Fixture Coupling (2)
	C	Hex Nipple (2)
	D	Lock Washer (2)
	E	Swivel (2)
	F	Canopy Pipe (2)
	G	Ceiling Bracket
	H	Threaded Stud (2)
	I	Canopy
	J	Fixture
	K	Clutch (2)
	L	Plastic Clutch Sleeve (2)
	M	Set Screw (2)
	N	Crossbar
	O	#8 Screw (2)
	P	Barrel Knob (2)
	Q	Knurled Ball (3)
	R	Shade Bracket
	S	Inner Shade
	T	Fixture Arms
U	Outer Shade	
V	Diffuser	
W	Anchor (2)	
X	#10 Screw (2)	



HUBBARDTON FORGE.

MODERN AMERICAN BLACKSMITHS | FINE, HAND CRAFTED LIGHTING
CASTLETON, VERMONT USA | HUBBARDTONFORGE.COM

ASSEMBLY & INSTALLATION INSTRUCTIONS

A557

139640 Exos Rectangular Pendant

CAUTION: FAILURE TO INSTALL THIS FIXTURE PROPERLY MAY RESULT IN SERIOUS PERSONAL INJURY OR DEATH AND PROPERTY DAMAGE. We recommend installation by a licensed electrician. This product must be installed in accordance with applicable installation code(s), by a person familiar with the construction and operation of the product and the hazards involved.*

Caution: Do not exceed maximum wattage noted on fixture. Use only recommended bulbs with fixture.

Please Note: After installation extra hardware and accessories are possible; our kits are used on multiple products.

To Assemble Fixture (Figures 1 & 2)

CAUTION: BE SURE POWER IS OFF AT THE MAIN BREAKER BOX PRIOR TO INSTALLATION.

1. Carefully unpack the fixture from the carton.
2. Apply a drop of the supplied thread locking compound to the internal threads of the fixture coupling (B) and screw in the fixture pipe (A), being careful not to twist the wires.
3. Slide canopy (I) over fixture pipes (A) and allow it to rest on the fixture (J). Set the fixture aside for now.
4. Locate the ceiling bracket (G) and the crossbar (N). Attach the crossbar (N) to the ceiling bracket (G) using 2 #8 screws (O).
5. Place the ceiling bracket (G) and crossbar (N) over the electrical box. Orient to desired location and line up holes in crossbar with holes in electrical box. With a pencil, mark the location of all the mounting holes in the ceiling bracket on the ceiling. Set bracket and crossbar aside.
6. Drill 1/4" holes in the locations marked on the ceiling. Place the tapered ends of the anchors (W) into the holes and gently tap them flush to the wall using a light weight hammer.
7. Remove hex nipple (C) and lock washer (D) from the swivel (E) at the end of canopy pipe (F).
8. Insert the threaded end of hex nipple (C) down through lock washer (D) and ceiling bracket (G) and back into swivel (E) at the end of canopy pipe (F).
Note: Ceiling bracket (G) is oriented with threaded studs (H) pointing downward.
9. Repeat steps 7 & 8 for the remaining side.
10. Tighten hex nipple (C) securely being sure the notches in swivels (E) are aligned.
11. Thread the wires from fixture pipe (A) through canopy pipe (F), swivel (E) and hex nipple (C).
12. Unscrew clutch (K) from canopy pipe (F) and slide it over the wires and onto fixture pipe (A). Follow this with the plastic clutch sleeve (L), oriented so the tapered end of the clutch sleeve nests in the clutch (Figure 3).
13. Slide the canopy pipes (F) as far as necessary to give you the total length of the fixture that you desire. Be careful not to scratch the pipe surfaces and to pull excess wire up through the canopy pipes. Screw clutch (K) onto canopy pipe. There must be a minimum of 1-1/2" of inner pipe inside the outer pipe. Tighten set screw (M) in clutch to maintain fixture height.
Note: To ensure full connection strength, be sure the tapered end of the plastic clutch sleeve (L) is oriented toward the clutch (K) when assembled and securely tighten set screw (M) with provided hex wrench.
14. Thread supply wires (E) through hole in crossbar (N). Raise fixture (J) and secure bracket (G) and crossbar (N) to electric box and with two machine screws (not provided).

CONTINUED

ASSEMBLY & INSTALLATION INSTRUCTIONS

A557

139640 Exos Rectangular Pendant

Note: A new electric box comes with screws. When replacing a fixture, retain the existing screws for use with the new fixture.

- Using #10 screws (X), screw the ceiling bracket (G) securely to the ceiling. Be careful not to over-tighten or strip the anchors.

Note: If installing on a sloped ceiling, make certain the notches in the swivels (E) are oriented toward the lower side of the slope.

- Using suitable wire connectors (not provided) connect fixture wires to supply (white to white and black to black). Hold canopy (I) close to ceiling and connect all ground wires (bare copper or green to bare copper or green).

CAUTION: MAKE SURE WIRE CONNECTORS ARE TWISTED ON SECURELY, AND NO BARE WIRE IS EXPOSED.

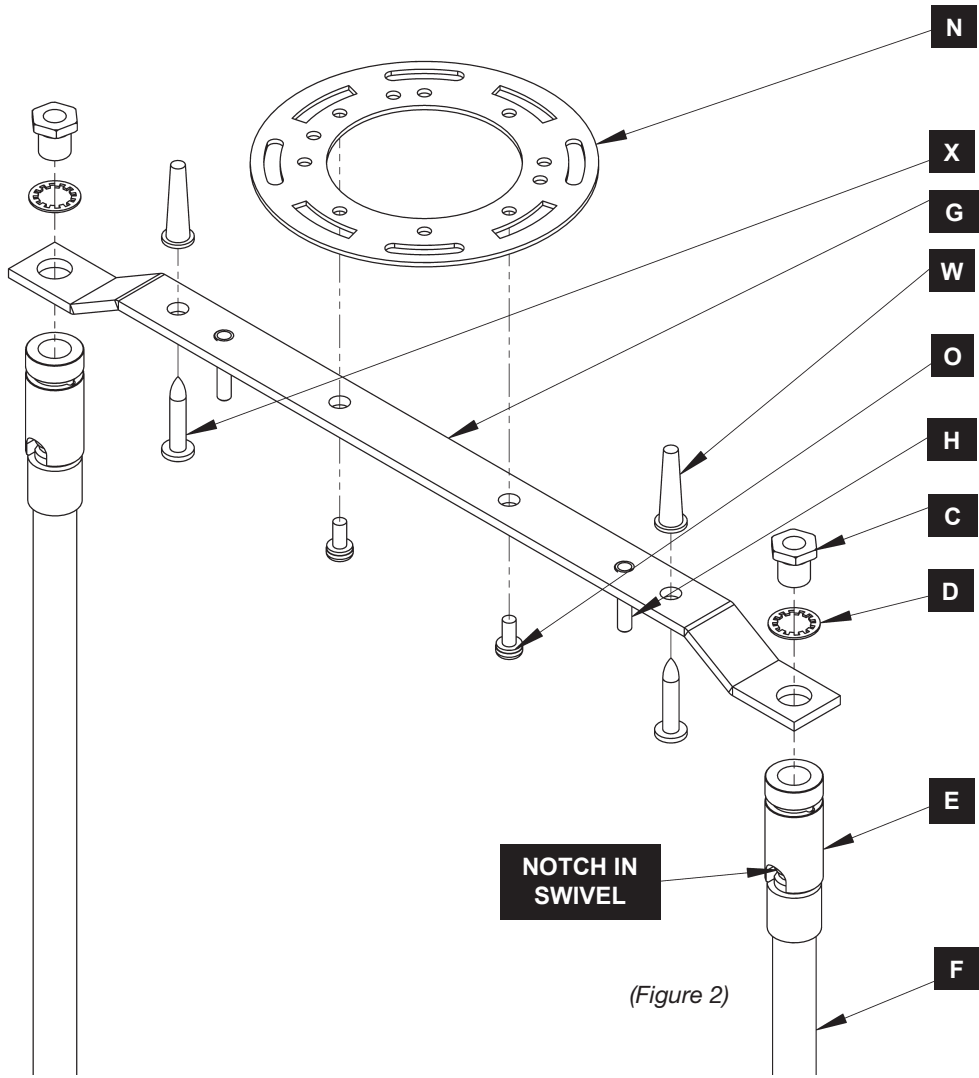
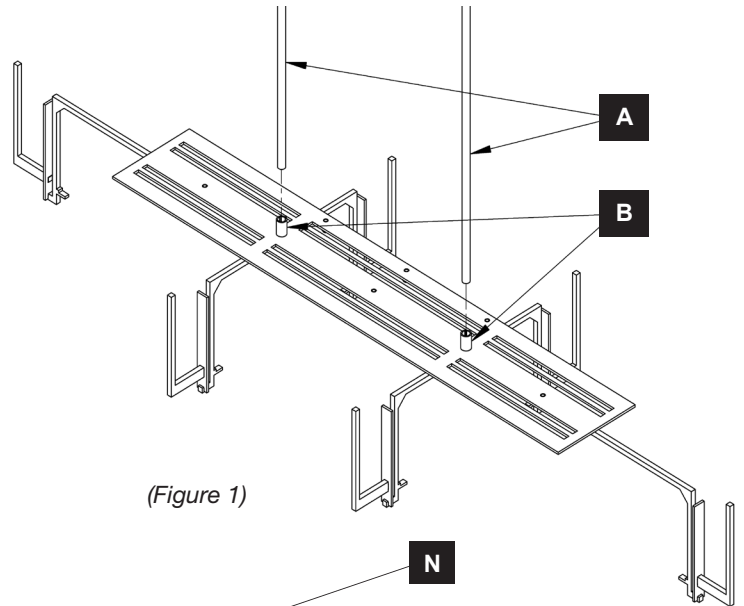
- Push canopy (I) over threaded studs (H) and firmly against the ceiling, being sure not to pinch wires between the ceiling and canopy. Secure canopy to threaded studs (H) using barrel knobs (P).
- Follow instructions on page 7 to finish shade and diffuser installation.



ASSEMBLY & INSTALLATION INSTRUCTIONS

A557

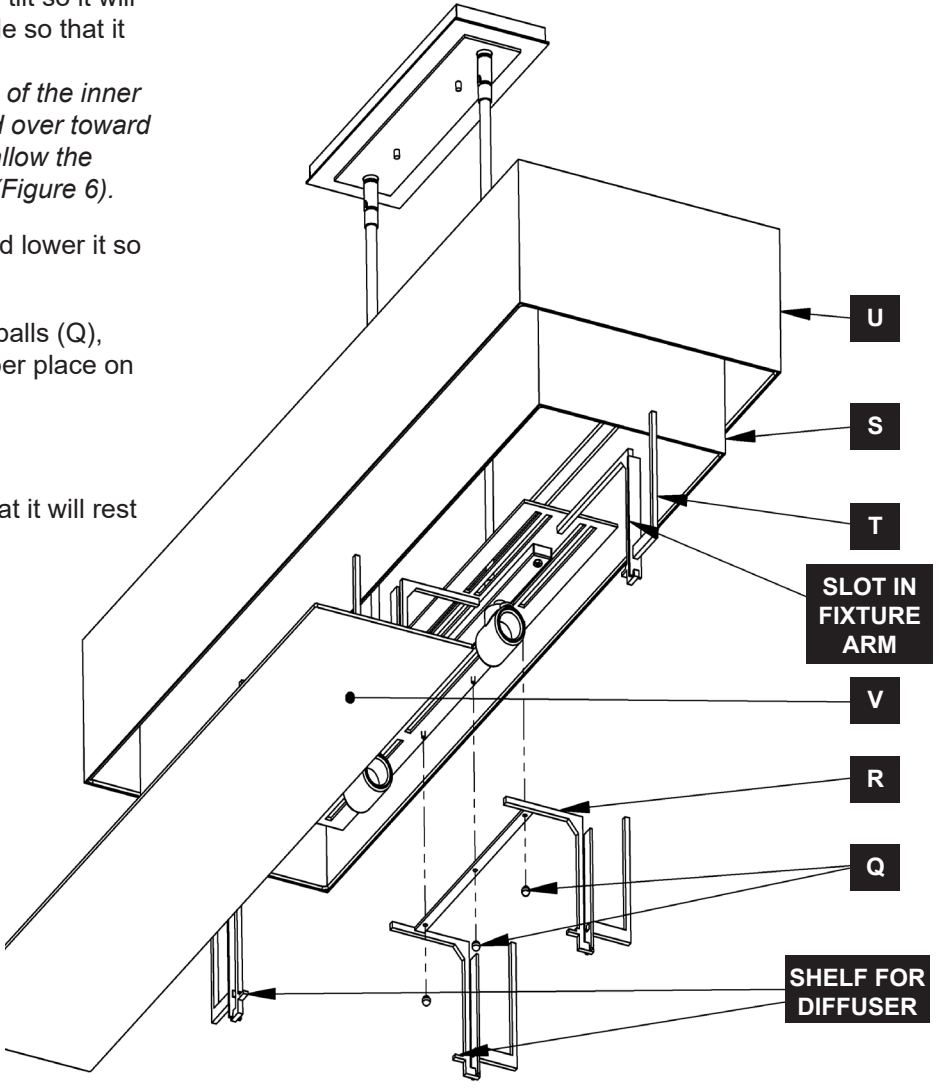
139640 Exos Rectangular Pendant



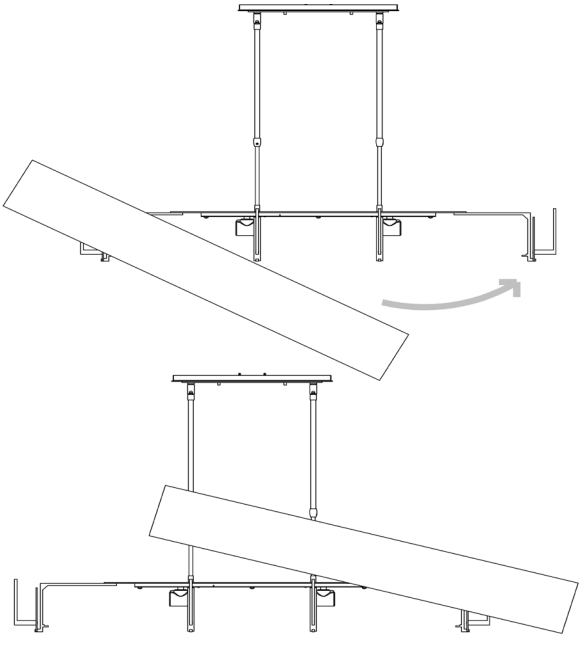
To Install Shades & Diffuser (Figures 5 & 6)

1. Unscrew three knurled balls (Q) and remove shade bracket (R). Set aside for later use.
2. Install inner shade (S) from the bottom and tilt so it will pass by fixture arms (T). Lower inner shade so that it rests in the slots in fixture arms.

Note: It will be necessary to raise one side of the inner shade completely past the fixture arms and over toward the canopy pipes (F) as far as it will go to allow the other side of the shade to pass the fixture (Figure 6).
3. Repeat this process for outer shade (U) and lower it so that it rests inside the fixture arms (T).
4. Reattach shade bracket (R) using knurled balls (Q), making sure both shades rest on their proper place on the arms (T).
5. Install bulbs (Not Included).
6. Tilt diffuser (V) and slide it into fixture so that it will rest on the lowest part of every fixture arm (T).
7. Restore electricity at main breaker.



(Figure 5)



(Figure 6)

If you need further assistance, or find that you are missing any parts, please contact the dealer from which you purchased this product. We hope you enjoy your fixture!

*** Hubbardton Forge will not be liable for injury or damage caused by improper installation, lamping or use of this fixture.**