

# Installation Instructions

For Exos Shade Pendant 13-9600 & 13-9600F

**A94**

Page 1 of 3

**CAUTION:** FAILURE TO INSTALL THIS FIXTURE PROPERLY MAY RESULT IN SERIOUS PERSONAL INJURY OR DEATH AND PROPERTY DAMAGE. We recommend installation by a licensed electrician.

This product must be installed in accordance with applicable installation code(s), by a person familiar with the construction and operation of the product and the hazards involved.\*

**Caution:** Do not exceed maximum wattage noted on fixture. Use only recommended bulbs with fixture.

## **To Assemble Fixture** (Please see Figure 1 and illustrations on Page 3)

### Component Parts

- A Shade
- B Retaining screws
- C Spider assembly
- D Support arms
- E Socket assembly
- F Diffuser
- G Threaded Coupling
- H Fixture pipe
- I Clutch
- J Clutch sleeve
- K Canopy pipe
- L Barrel knobs
- M Canopy
- N Threaded studs
- O Crossbar

1. Carefully unpack the fixture from the carton.
2. Thread the wires from the fixture pipe (H) into and through the canopy pipe (K) and up through the canopy (M). Unscrew the clutch (I) from the canopy pipe (K); slide it across the wires and onto the fixture pipe (H). Follow this with the clutch sleeve (J), so that the clutch sleeve nests in the clutch.

**Important:** To ensure full connection strength, make sure the tapered end of the plastic clutch sleeve is oriented toward the clutch (Figure 1).

Slide the smaller pipe as far as necessary to give you the total length of the fixture which you desire. Be careful not to scratch the pipe surfaces and to pull excess wire up through the canopy. There must be a minimum 1-1/2" of inner pipe inside the outer pipe. Hand-tighten the clutch to temporarily hold this adjustment. At this point the adjustment is not securely fastened; do not depend on it to permanently hold the fixture.

3. Check that fixture is at desired height. Tighten set screw in clutch (I) with the supplied hex wrench to secure fixture.

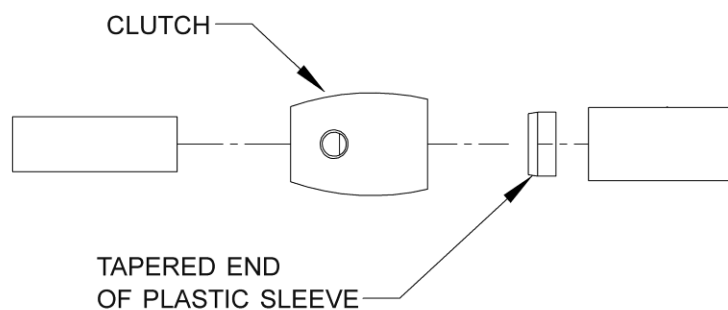


Figure 1

(continued)

# Installation Instructions

For Exos Shade Pendant 13-9600

**A94**

Page 2 of 3

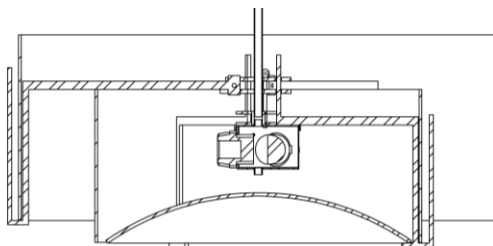
## To Install Fixture (Please see illustrations on Page 3)

**Caution: Be sure power is off at the main breaker box prior to installation.**

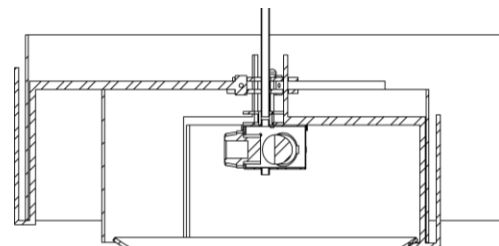
1. Thread studs (N) through appropriate holes in the crossbar (O) to match hole centers on canopy (M). Move ground screw to another available threaded hole if necessary. Using two machine screws fasten the crossbar to the electric box using outer oval slots to orient fixture to desired hanging position. **Note:** A new electric box comes with screws. When replacing a fixture, retain the existing screws for use with the new fixture.
2. Using suitable wire connectors (not provided) connect fixture wires to supply (white to white and black to black). Connect all ground wires to green ground screw.  
**Caution:** Make sure wire connectors are twisted on securely, and no bare wire is exposed.
3. Slide fixture canopy (M) with fixture attached, over threaded studs and push firmly to ceiling making sure that no wires are pinched between fixture canopy and ceiling. Fasten with the barrel knobs (L). Be sure studs are fully seated in the barrel knobs.
4. Install light bulb(s). "F" version bulbs are included.
5. See instructions below to install shade and diffuser.

## To Install Shade & Diffuser (Please see illustrations on Page 3)

1. Place shade (A) into notches of support arms (D).
2. Move shade and spider assembly up and over fixture (E) and secure with retaining screws (B).
3. Slip glass diffuser (F) curved side up at an angle into Support arms (D) and rotate to rest on the arms. It may be necessary to flex on support arm slightly to install diffuser. See Figure Below
4. Restore electricity at main breaker box.



**DIFFUSER INSTALLED  
CORRECTLY**



**DIFFUSER INSTALLED  
INCORRECTLY**

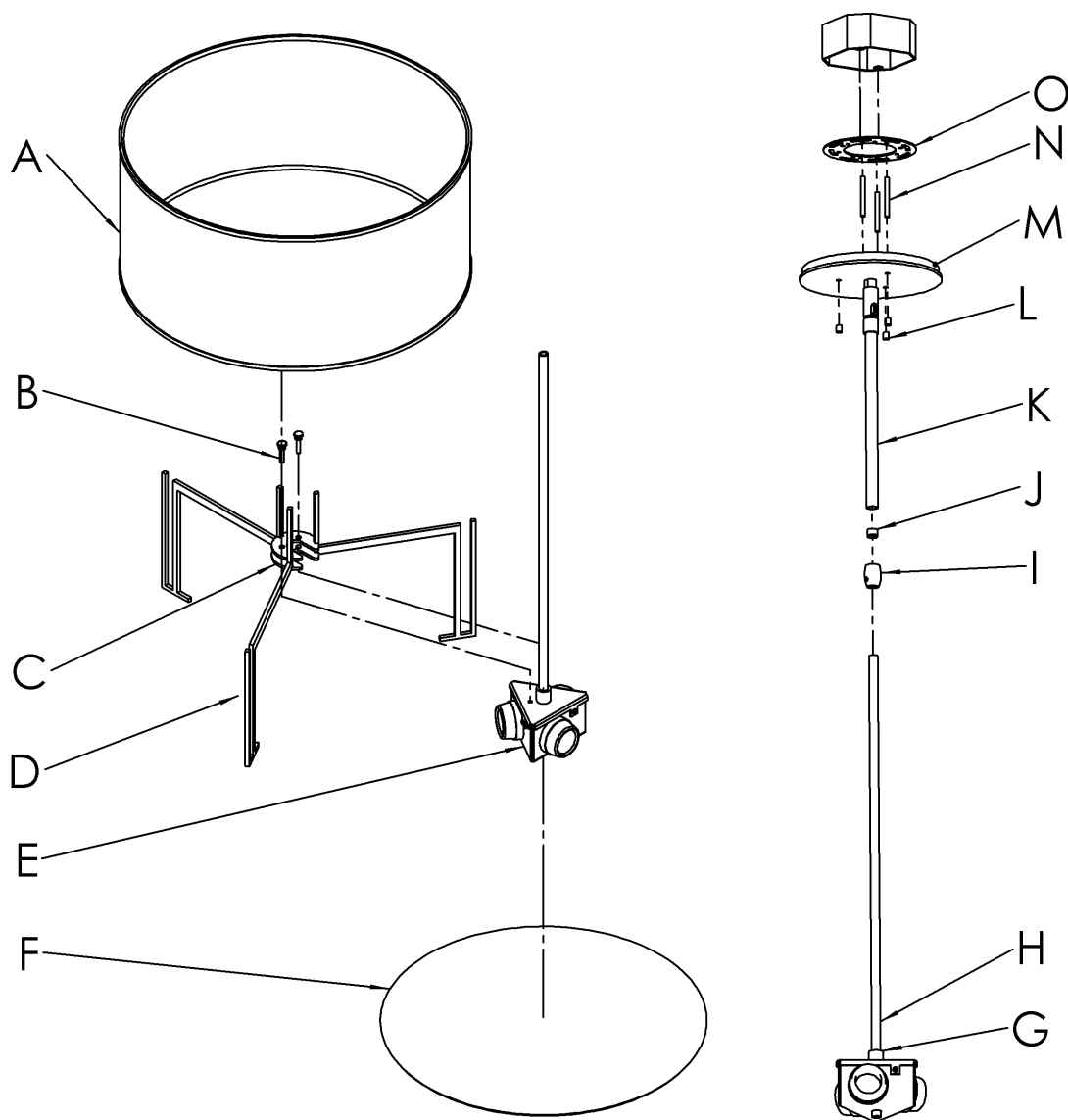
(continued)

# Installation Instructions

For Exos Shade Pendant 13-9600

**A94**

Page 3 of 3



*If you need further assistance, or find that you are missing any parts, please contact the dealer from which you purchased this product. We hope you enjoy your fixture!*

\* Hubbardton Forge will not be liable for injury or damage caused by improper installation, lamping or use of this fixture.