

Installation Instructions

A383

For Erlenmeyer 1lt Semi 128705

Page 1 of 2

CAUTION: FAILURE TO INSTALL THIS FIXTURE PROPERLY MAY RESULT IN SERIOUS PERSONAL INJURY OR DEATH AND PROPERTY DAMAGE. We recommend installation by a licensed electrician. This product must be installed in accordance with applicable installation code(s), by a person familiar with the construction and operation of the product and the hazards involved.*

Caution: Do not exceed maximum wattage noted on fixture. Use only recommended bulbs with fixture.

To Install Fixture (Figure 1)

Component Parts

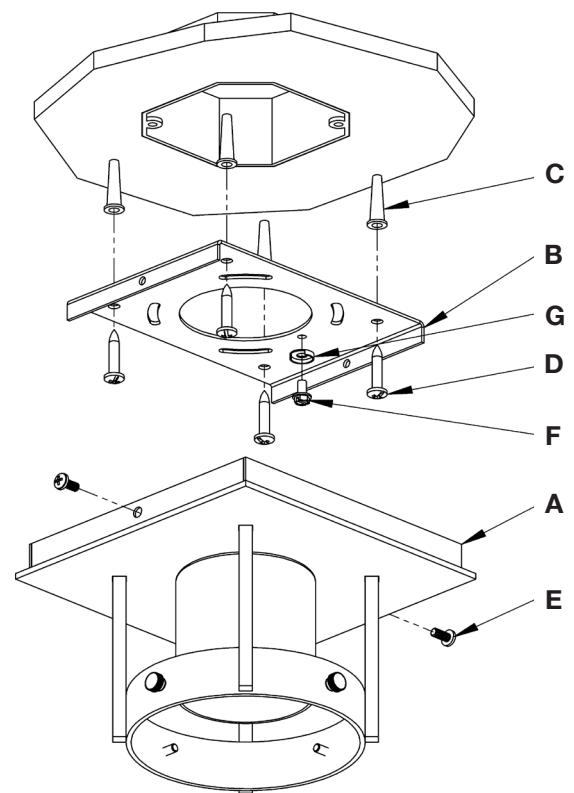
- | | |
|--------------------|-----------------|
| A Fixture | E #8 Screws (2) |
| B Mounting Bracket | F Ground Screw |
| C Anchors (4) | G Cupped Washer |
| D #10 Screws (4) | |

CAUTION: BE SURE POWER IS OFF AT THE MAIN BREAKER BOX PRIOR TO INSTALLATION.

1. Carefully unpack the fixture from the carton.
2. Place the mounting bracket (B) over the electrical box. With a pencil, mark the location of all mounting holes in the mount bracket (B) on the ceiling.
3. Drill 1/4" holes in the locations marked on the ceiling. For holes using anchors, place the tapered end of the anchors (C) into the holes and gently tap them flush to the ceiling using a light weight hammer.
4. Thread the wires in the electrical box through the hole in the mounting bracket (B) while moving the bracket into position. Using two machine screws (not provided) fasten bracket (B) to the electric box using outer oval holes to orient fixture to desired hanging position. Ensure the anchor holes in the mounting bracket (B) line up with the anchors (C) installed in the ceiling.

Note: A new electric box comes with screws. When replacing an existing fixture, retain the screws for use with the new fixture.

5. Using the 1" #10 screws (D), screw the bracket (B) securely to the ceiling. Be careful not to over-tighten or strip the anchors.
6. Hold the fixture (A) close to the mounting bracket (B) and using suitable wire connectors (not provided) connect fixture wires to supply wires (white to white and black to black). Run a pigtail lead from the ground screw (F) and cupped washer (G) to the electrical box and connect all ground wires (bare copper or green to bare copper or green).



(Figure 1)

CAUTION: MAKE SURE WIRE CONNECTORS ARE TWISTED ON SECURELY, AND NO BARE WIRES ARE EXPOSED.

(Continued)

If you need further assistance, or find that you are missing any parts, please contact the dealer from which you purchased this product. We hope you enjoy your fixture!

* Hubbardton Forge will not be liable for injury or damage caused by improper installation, lamping or use of this fixture.

Installation Instructions

A383

For Erlenmeyer 1lt Semi 128705

Page 2 of 2

To Install Fixture (Continued)

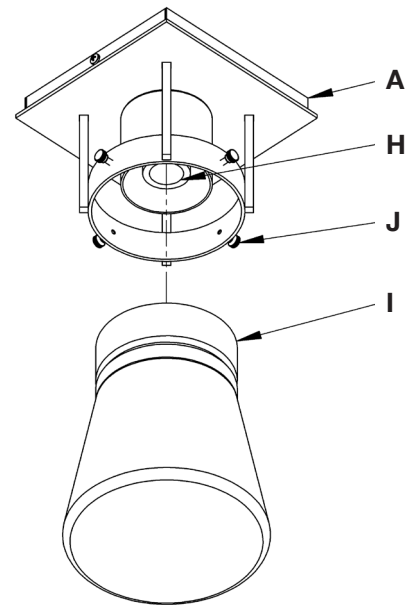
7. Carefully tuck all wires behind the fixture (A) and place over the bracket (B) so the holes in fixture (A) align with holes in the mounting bracket (B). Secure by threading the (2) #8 black screws (E) through the holes in the fixture (A) and into the mounting bracket (B).

To Install Glass (Figure 2)

Component Parts

- A Fixture
- H Socket
- I Glass
- J Thumb Screw (4)

1. Install light bulb (not provided) into socket (H).
2. Loosen thumb screws (J). It is not necessary to remove thumb screws (J).
3. Slip glass (I) into ring on fixture (A) aligning groove in glass (I) with thumbscrews and tighten thumbscrews (J) evenly.
4. Restore electricity at main breaker.



(Figure 2)

If you need further assistance, or find that you are missing any parts, please contact the dealer from which you purchased this product. We hope you enjoy your fixture!

**Hubbardton Forge will not be liable for injury or damage caused by improper installation, lamping or use of this fixture.*