

Installation Instructions

B261

Dune Sconce 204795

Page 1 of 3

CAUTION: FAILURE TO INSTALL THIS FIXTURE PROPERLY MAY RESULT IN SERIOUS PERSONAL INJURY OR DEATH AND PROPERTY DAMAGE. We recommend installation by a licensed electrician. This product must be installed in accordance with applicable installation code(s), by a person familiar with the construction and operation of the product and the hazards involved.*

Caution: Do not exceed maximum wattage noted on fixture. Use only recommended bulbs with fixture.

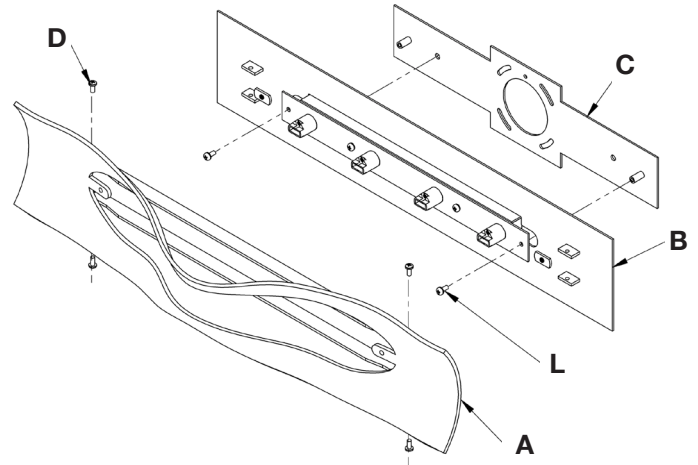
Please Note: This fixture is designed to be mounted on a standard wall surface and may not be suitable for all applications. If installing in a non-wood frame application, we recommend consulting a qualified builder or electrician.

To Prepare Fixture (Figure 1)

Component Parts

- A Decorative Front
- B Fixture Body
- C Wall Mount Bracket
- D #8 Black Pan Head Screws (6)
- L #8 X 3/4" Pan Head Screws

1. Carefully unpack the fixture from the carton.
2. Remove black pan head screws (D) from Fixture Body (B) and remove decorative front (A). Set aside for later use.
3. Remove #8 x 3/4" pan head screws (L) from fixture body and remove wall mount bracket. Set aside for later use



(Figure 1)

To Mount Fixture to Wall (Figures 2 & 3)

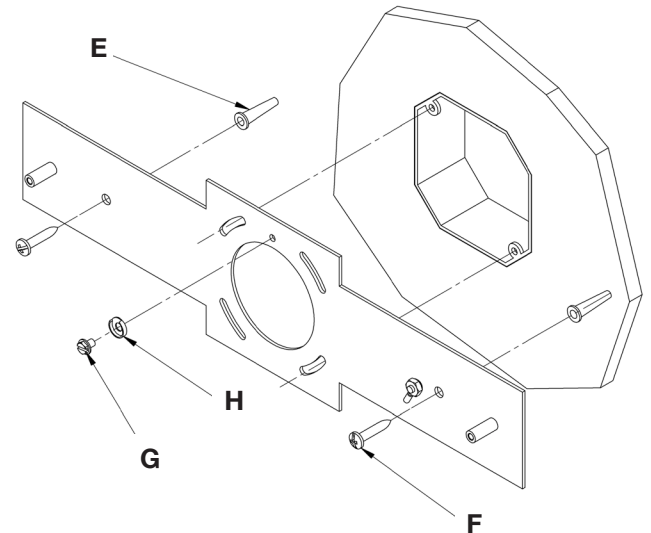
Component Parts

- B Fixture Body
- C Wall Mount Bracket
- E Anchors (2)
- F # 10 Screws (2)
- G Green Ground Screw
- H Cupped Washer

CAUTION: BE SURE POWER IS OFF AT THE MAIN BREAKER BOX PRIOR TO INSTALLATION.

1. Center the wall mount bracket (C) over the electrical box being sure to hold it plum and level. With a pencil, mark the location of all mounting holes in the wall mount bracket on the wall behind.

IMPORTANT: Wall mount bracket must be secured to a solidly mounted electrical box and/or a framing member in at least two locations. Do not depend on drywall anchors alone to support this fixture. If in doubt, contact a qualified electrician.



(Figure 2)

(Continued)

If you need further assistance, or find that you are missing any parts, please contact the dealer from which you purchased this product. We hope you enjoy your fixture!

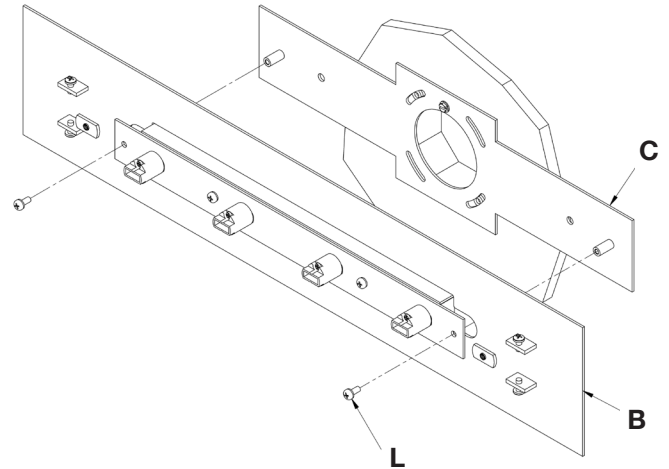
* Hubbardton Forge will not be liable for injury or damage caused by improper installation, lamping or use of this fixture.

To Mount Fixture to Wall (Figures 2 & 3)

(Continued)

Put the wall mount bracket down and drill 1/4" holes in the locations marked on the wall. For holes using anchors, place the tapered end of the anchors (E) into the holes and gently tap them flush to the wall using a light weight hammer.

2. Thread the wires in the electrical box through the center hole in the wall mount bracket while moving the bracket into position. Attach wall mount bracket to electrical box using two machine screws (not provided) Using the #8 screws (D), screw the bracket securely to the wall. Be careful not to over-tighten or strip the anchors.
3. Hold the fixture body (B) close to the wall mount bracket (C) and using suitable wire connectors (not provided), connect fixture wires to supply wires (white to white or ribbed and black to black or smooth). Ground the mounting bracket using the green ground screw (G) and cupped washer (H) to secure a pigtail lead to the bracket and connect all ground wires (bare copper or green to bare copper or green).



(Figure 3)

CAUTION: MAKE SURE WIRE CONNECTORS ARE TWISTED ON SECURELY, AND NO BARE WIRES ARE EXPOSED.

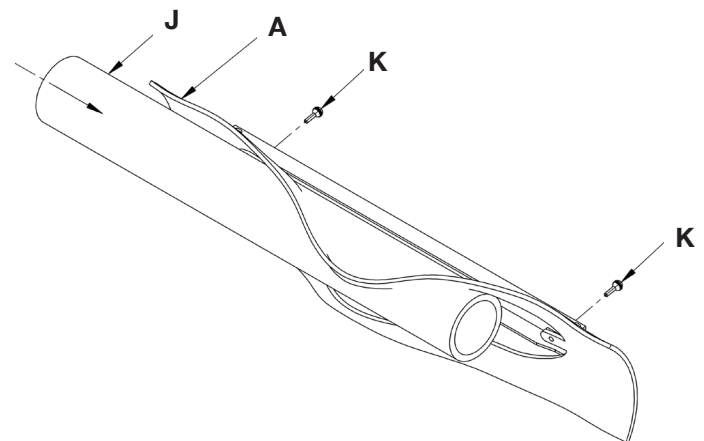
4. Carefully tuck all wires behind the fixture assembly and inside the wall mount bracket and place the fixture (B) firmly onto bracket (C) and fasten with #8 x 3/4" pan head screw (L) (Figure 3).

To Install Glass & Decorative Front (Figures 4 & 5)

Component Parts

- A Decorative Front
- I Bulb (Included)
- J Glass
- K Thumb Screw (2)

1. Slide glass tube (J) into decorative front (A). Secure glass to decorative front using thumb screws (K) (Figure 4). Set aside.
2. Install bulbs (I). Be careful not to touch bulb with bare hands; oil from the hands will dramatically reduce bulb life.
3. Slide decorative front and glass (A & J) over bulbs and socket (B).



(Figure 4)

(Continued)

If you need further assistance, or find that you are missing any parts, please contact the dealer from which you purchased this product. We hope you enjoy your fixture!

*Hubbardton Forge will not be liable for injury or damage caused by improper installation, lamping or use of this fixture.

Installation Instructions

B261

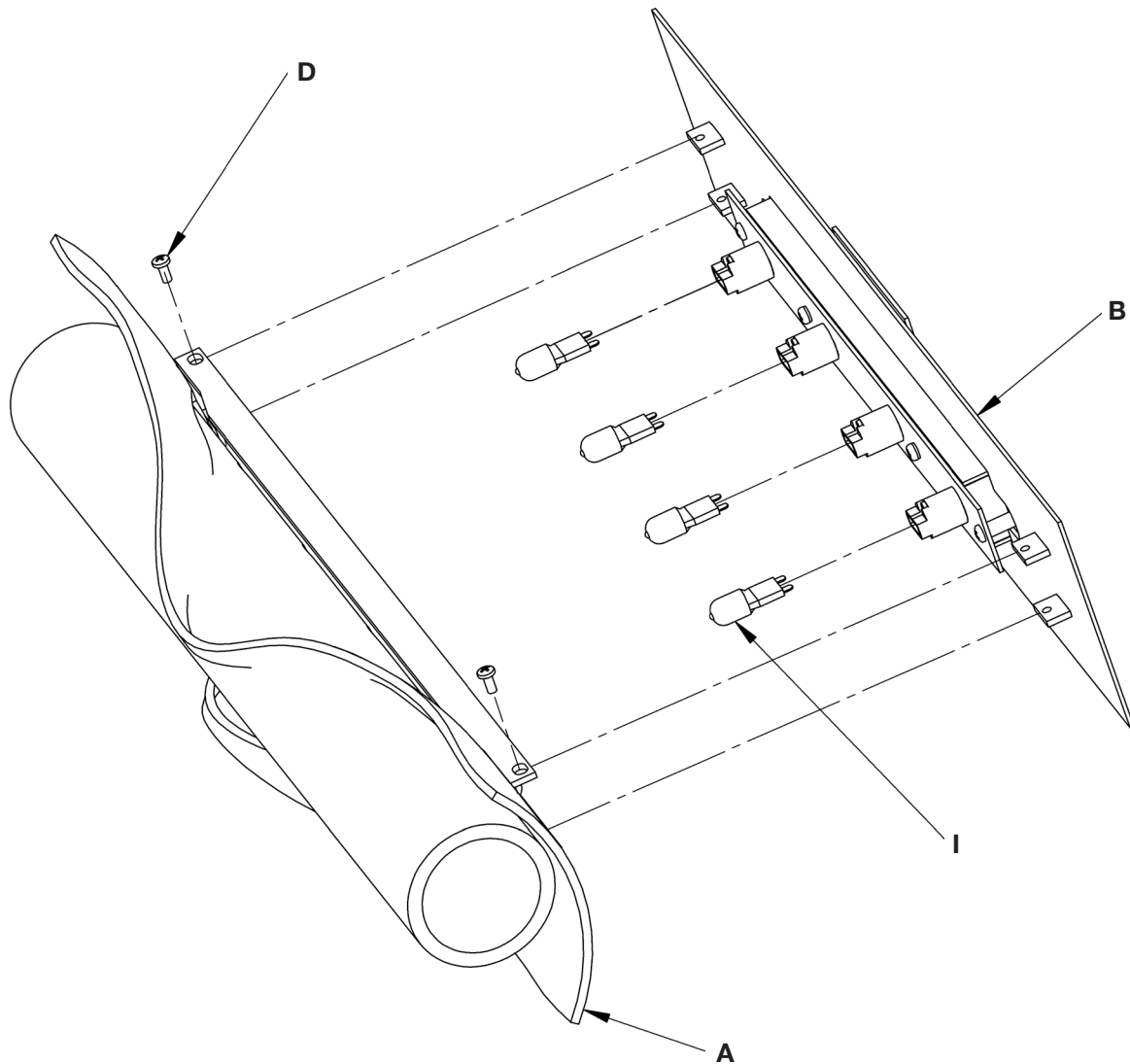
Dune Sconce 204795

Page 3 of 3

To Install Glass & Decorative Front (Figures 4 & 5)

(Continued)

- Secure decorative front (A) to fixture body (B) using #8 black screws (D).
- Restore electricity at main breaker.



If you need further assistance, or find that you are missing any parts, please contact the dealer from which you purchased this product. We hope you enjoy your fixture!

*** Hubbardton Forge will not be liable for injury or damage caused by improper installation, lamping or use of this fixture.**