

Assembly & Installation Instructions

A426

For Disq Semi-Flush 126805D

Page 1 of 3

CAUTION: FAILURE TO INSTALL THIS FIXTURE PROPERLY MAY RESULT IN SERIOUS PERSONAL INJURY OR DEATH AND PROPERTY DAMAGE. We recommend installation by a licensed electrician.

This product must be installed in accordance with applicable installation code(s), by a person familiar with the construction and operation of the product and the hazards involved.*

Caution: Do not exceed maximum wattage noted on fixture. Use only recommended bulbs with fixture.

To Install Fixture (Figure 1)

Component Parts

- A Crossbar
- B Threaded Stud (3)
- C Ground Screw
- D Canopy
- E Knob (3)
- F Fixture

Caution: Be sure power is off at the main breaker box prior to installation

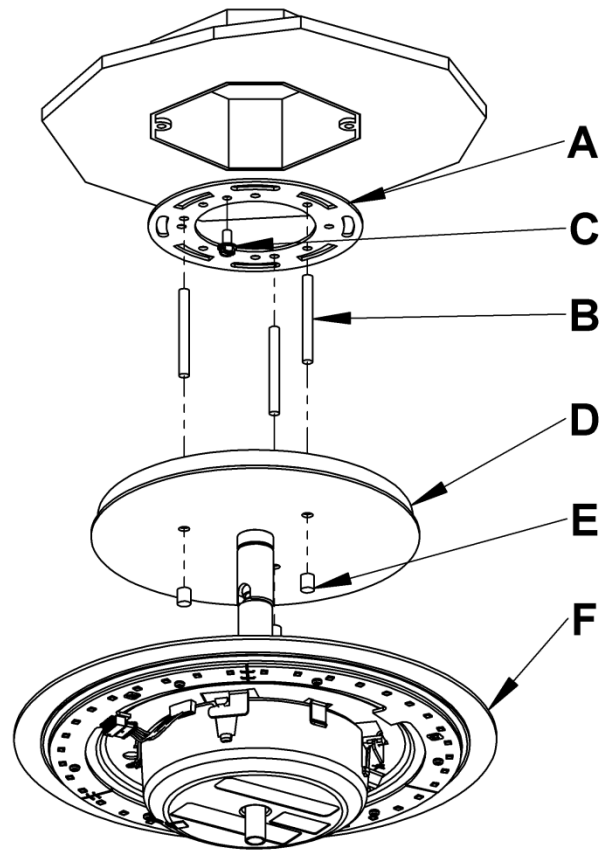
1. Carefully unpack the fixture from the carton.
2. Thread studs (B) through appropriate holes in crossbar (A) to match hole centers in canopy (D). Move ground screw (C) to another available threaded hole if necessary.
3. Using two machine screws (not provided) fasten crossbar (A) to the electric box using outer oval holes to orient fixture to desired hanging position.

Note: A new electric box comes with screws. When replacing an existing fixture, retain the screws for use with the new fixture.

4. Using suitable wire connectors (not provided); connect fixture wires to supply wires (white to white and black to black). Run a pigtail lead from the ground screw (C) to the junction box and connect all ground wires (bare copper or green to bare copper or green).

Caution: Make sure wire connectors are twisted on securely, and no bare wire is exposed.

5. Slide fixture canopy (D) over threaded studs (B) and push firmly to ceiling, making sure that no wires are pinched between fixture canopy (D) and ceiling. Fasten with knobs (E). Be sure studs (B) are fully seated in knobs (E).



(Figure 1)

(continued)

Assembly & Installation Instructions

For Disq Semi-Flush 126805D

A426

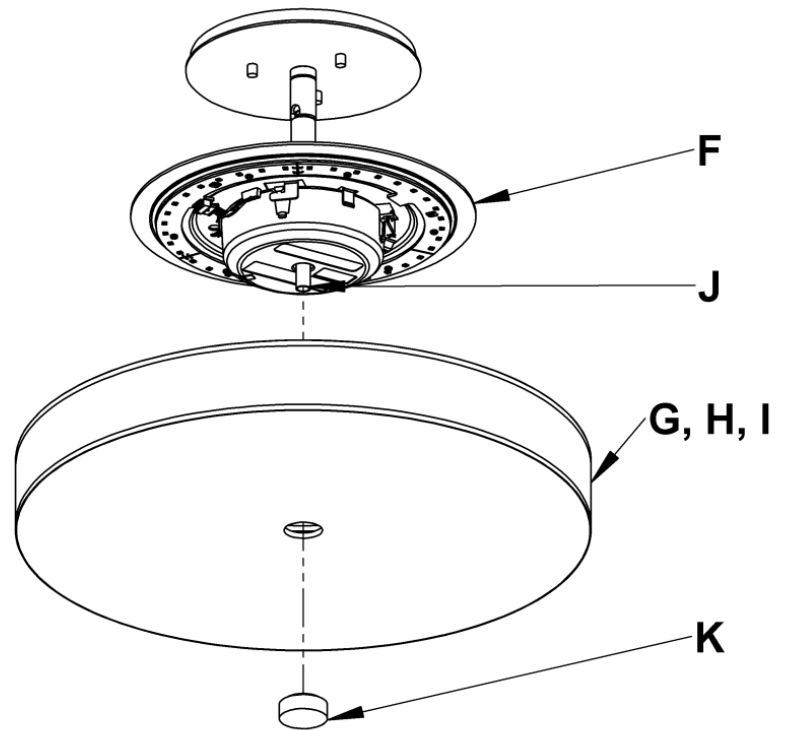
Page 2 of 3

To Install Shade & Diffusers (Figure 2)

Component Parts

- F Fixture
- G Lower Diffuser
- H Shade
- I Upper Diffuser
- J Stud
- K Finial

1. Remove shade/diffuser assembly from box, do not remove plastic wrap.
2. With the fixture already installed, raise the shade/diffuser assembly (G,H,I) up over stud (J) until upper diffuser (I) presses against fixture (F).
3. Secure shade/diffuser assembly (G, H, I) in place by attaching finial (K). *Be sure not to over tighten.*
4. Removed plastic wrap from the shade/diffuser assembly



(Figure 2)

(continued)

Assembly & Installation Instructions

For Disq Semi-Flush 126805D

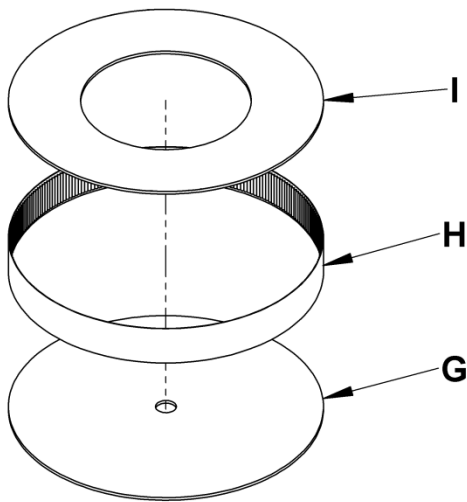
A426

Page 3 of 3

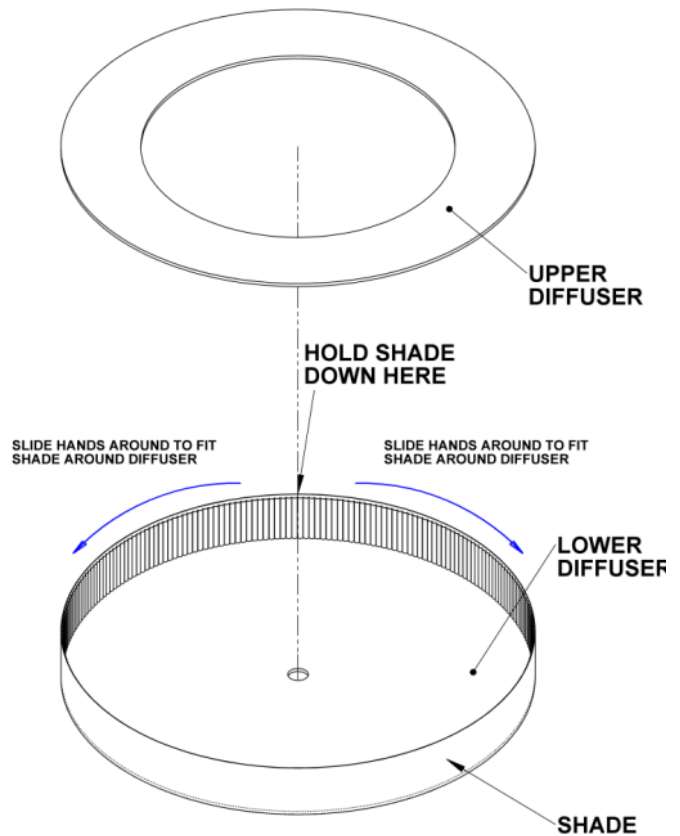
To Assembly Replacement Shade & Diffusers (Figures 3 & 4)

1. Place lower diffuser (G) on a flat surface
Note: An additional person will greatly aid in assembling the shade/diffuser assembly.
2. Fit shade over lower diffuser in one spot. Hold shade in place while a second person grasps the shade, slides their hands around the diffuser, fitting the shade in place. (Figure 4)

Install upper diffuser in similar manner. Fit diffuser inside the shade in one spot. Hold diffuser in place while a second person reaches inside the diffuser and slides their hands around the inside of the shade, allowing the rest of the diffuser to set down in the shade.



(Figure 3)



(Figure 4)

If you need further assistance, or find that you are missing any parts, please contact the dealer from which you purchased this product. We hope you enjoy your fixture!

* Hubbardton Forge will not be liable for injury or damage caused by improper installation, lamping or use of this fixture.