

# Assembly & Installation Instructions

For Disq Semi-Flush 126803D

**A395**

Page 1 of 2

**CAUTION: FAILURE TO INSTALL THIS FIXTURE PROPERLY MAY RESULT IN SERIOUS PERSONAL INJURY OR DEATH AND PROPERTY DAMAGE. We recommend installation by a licensed electrician.**

This product must be installed in accordance with applicable installation code(s), by a person familiar with the construction and operation of the product and the hazards involved.\*

**Caution:** Do not exceed maximum wattage noted on fixture. Use only recommended bulbs with fixture.

## To Install Fixture (Figure 1)

### Component Parts

- A Crossbar
- B Threaded Stud (3)
- C Ground Screw
- D Canopy
- E Knob (3)
- F Fixture

**Caution: Be sure power is off at the main breaker box prior to installation**

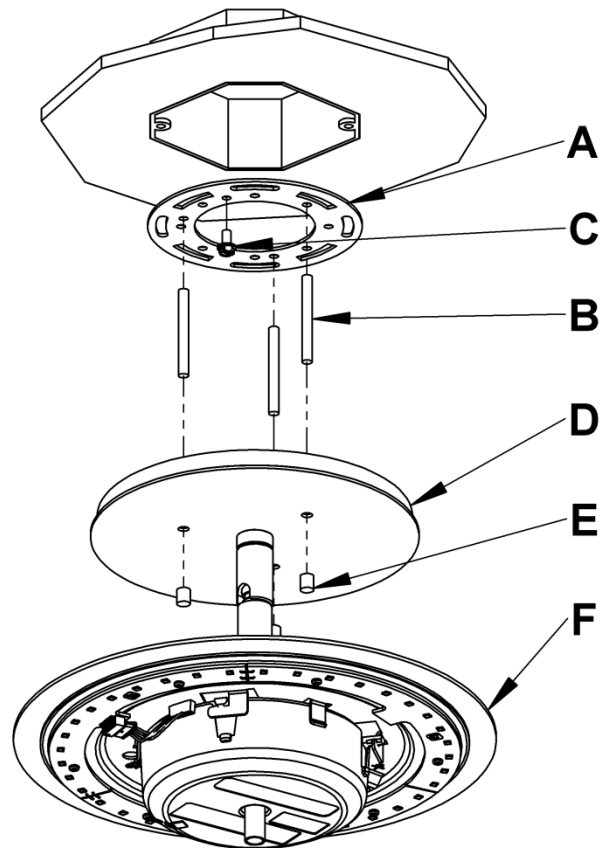
1. Carefully unpack the fixture from the carton.
2. Thread studs (B) through appropriate holes in crossbar (A) to match hole centers in canopy (D). Move ground screw (C) to another available threaded hole if necessary.
3. Using two machine screws (not provided) fasten crossbar (A) to the electric box using outer oval holes to orient fixture to desired hanging position.

**Note:** A new electric box comes with screws. When replacing an existing fixture, retain the screws for use with the new fixture.

4. Using suitable wire connectors (not provided); connect fixture wires to supply wires (white to white and black to black). Run a pigtail lead from the ground screw (C) to the junction box and connect all ground wires (bare copper or green to bare copper or green).

**Caution:** Make sure wire connectors are twisted on securely, and no bare wire is exposed.

5. Slide fixture canopy (D) over threaded studs (B) and push firmly to ceiling, making sure that no wires are pinched between fixture canopy (D) and ceiling. Fasten with knobs (E). Be sure studs (B) are fully seated in knobs (E).



(Figure 1)

(continued)

# Assembly & Installation Instructions

For Disq Semi-Flush 126803D

**A395**

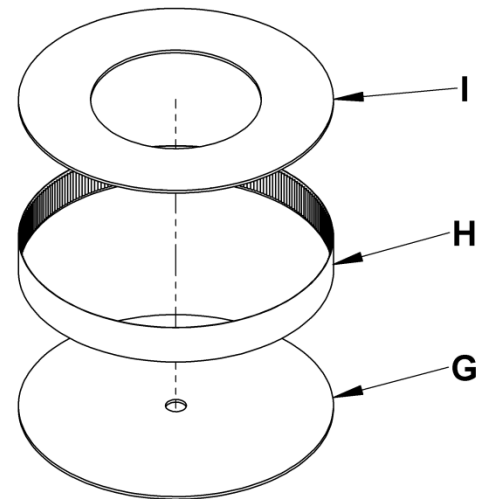
Page 2 of 2

## To Install Shade & Diffusers (Figures 2 & 3)

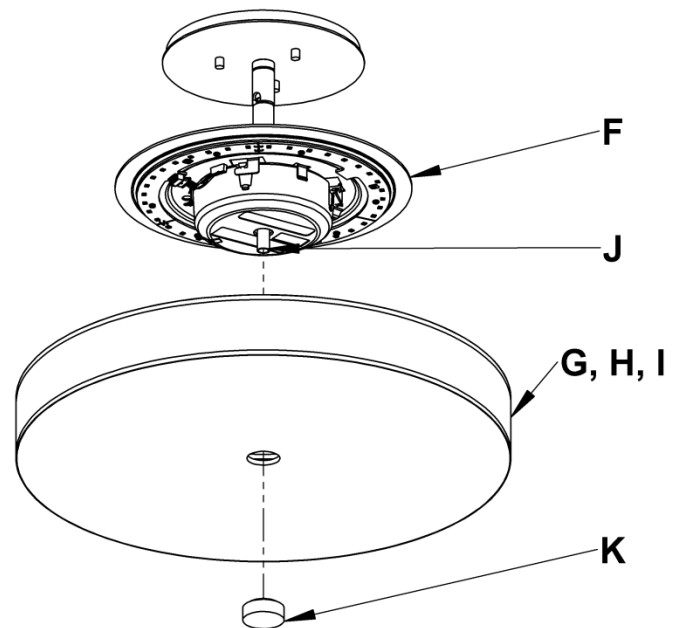
### Component Parts

- F Fixture
- G Lower Diffuser
- H Shade
- I Upper Diffuser
- J Stud
- K Finial

1. Place lower diffuser (G) on a flat surface.
2. Fit shade (H) over diffuser (G). Place upper diffuser (I) in shade (H).
3. Raise shade/diffuser assembly (G, H, I) up over stud (J) until upper diffuser (I) presses against fixture (F).
4. Secure shade/diffuser assembly (G, H, I) in place by attaching finial (K). *Be sure not to over tighten.*



(Figure 2)



(Figure 3)

*If you need further assistance, or find that you are missing any parts, please contact the dealer from which you purchased this product. We hope you enjoy your fixture!*

\* Hubbardton Forge will not be liable for injury or damage caused by improper installation, lamping or use of this fixture.