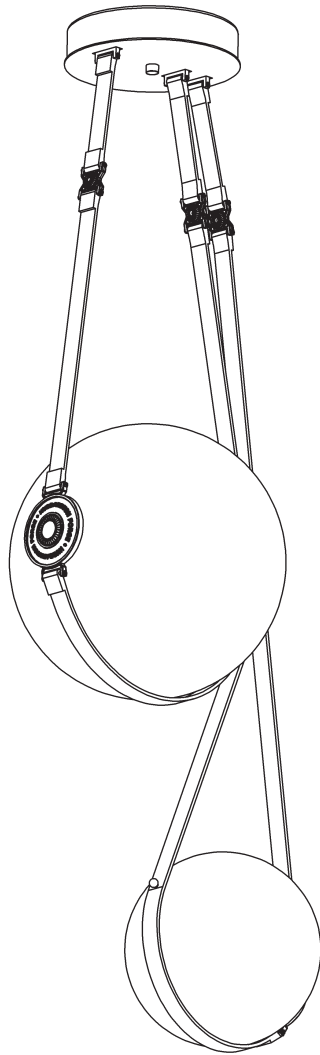


ASSEMBLY & INSTALLATION INSTRUCTIONS

A656

Derby Multi LED Pendant 131045



131045



HUBBARDTON FORGE.

MODERN AMERICAN BLACKSMITHS | FINE, HAND CRAFTED LIGHTING
CASTLETON, VERMONT USA | HUBBARDTONFORGE.COM

Component Parts

A	Knob
B	Canopy Cover Plate
C	#8 Screw (4)
D	Driver Plate
E	Canopy
F	Brass Hanger (3)
G	Leather Strap Assembly
H	Brass Screw (6)
I	Long Glass Tube
J	Large Glass Globe
K	Ball nut (2)
L	Threaded Washer
M	Brass Fitting
N	Small Glass Globe
O	Brass Clip
P	Small Leather Strap Assembly
Q	Short Glass Tube
R	Nylon Standoff (optional)
S	#6 Screw (2) (optional)



CAUTION: FAILURE TO INSTALL THIS FIXTURE PROPERLY MAY RESULT IN SERIOUS PERSONAL INJURY OR DEATH AND PROPERTY DAMAGE. We recommend installation by a licensed electrician. This product must be installed in accordance with applicable installation code(s), by a person familiar with the construction and operation of the product and the hazards involved.*

Please Note: After installation extra hardware and accessories are possible due to our kits are used on multiple products and options.

To Install Canopy (Figure 1)

CAUTION: BE SURE POWER IS OFF AT THE MAIN BREAKER BOX PRIOR TO INSTALLATION.

1. Carefully unpack fixture from the carton.
2. Unscrew knob (A) and remove canopy cover plate (B). Set parts aside.
3. Unscrew #8 screws (C) and remove driver plate (D). Pay attention to the orientation of (+) and (-) brass hangers (F) in canopy (E). Set parts aside.
4. Locate (+) and (-) stickers on outside of canopy (E). The (+) sticker will line up with (+) brass hanger (F) and the buckle side of glass globe (J). (not shown in Figure 1)
5. Pull wires from electric box through canopy (E). Using two machine screws (not provided), fasten canopy (E) to the electric box.

Note: A new electric box comes with screws. When replacing a fixture, retain the existing screws for use with the new fixture.

6. Hold driver plate (D) close to ceiling; using suitable wire connectors (not provided) connect driver wires to supply wires (white to white and black to black). Connect all ground wires (bare copper or green to bare copper or green).

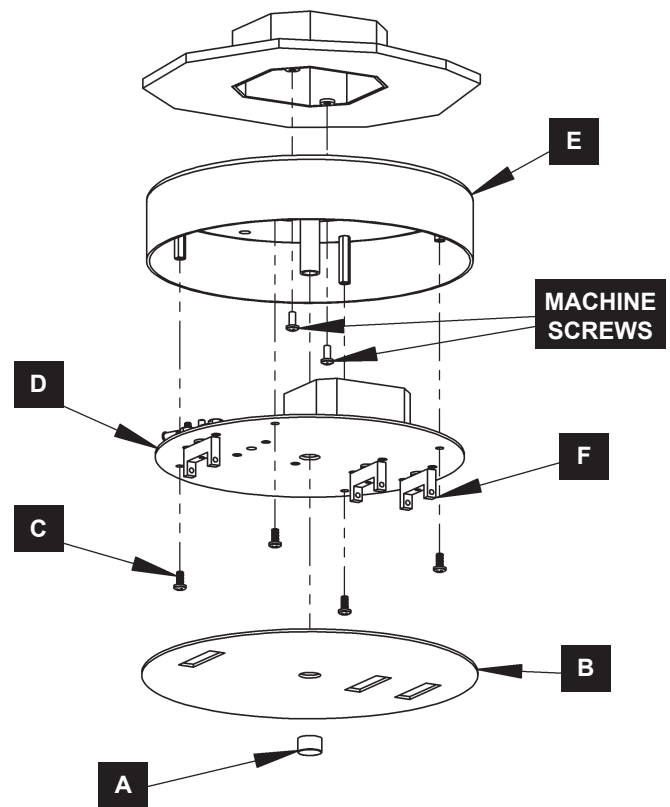
CAUTION: MAKE SURE WIRE CONNECTORS ARE TWISTED ON SECURELY AND NO BARE WIRE IS EXPOSED.

7. Place driver plate (D) into canopy (E) while aligning (+) brass hanger (F) with (+) sticker on outside of canopy (E). Fasten with #8 screws (C).

CAUTION: BE SURE NO WIRES ARE PINCHED BETWEEN THE DRIVER PLATE AND THE CANOPY.

8. Attach canopy cover plate (B) with knob (A) over brass hanger (F). Make sure no part of canopy cover plate (B) touches brass hanger (F).

9. Follow steps on next page to complete installation.



(Figure 1)

Derby Multi LED Pendant 131045

To Install Large Globe (Figure 2-3)

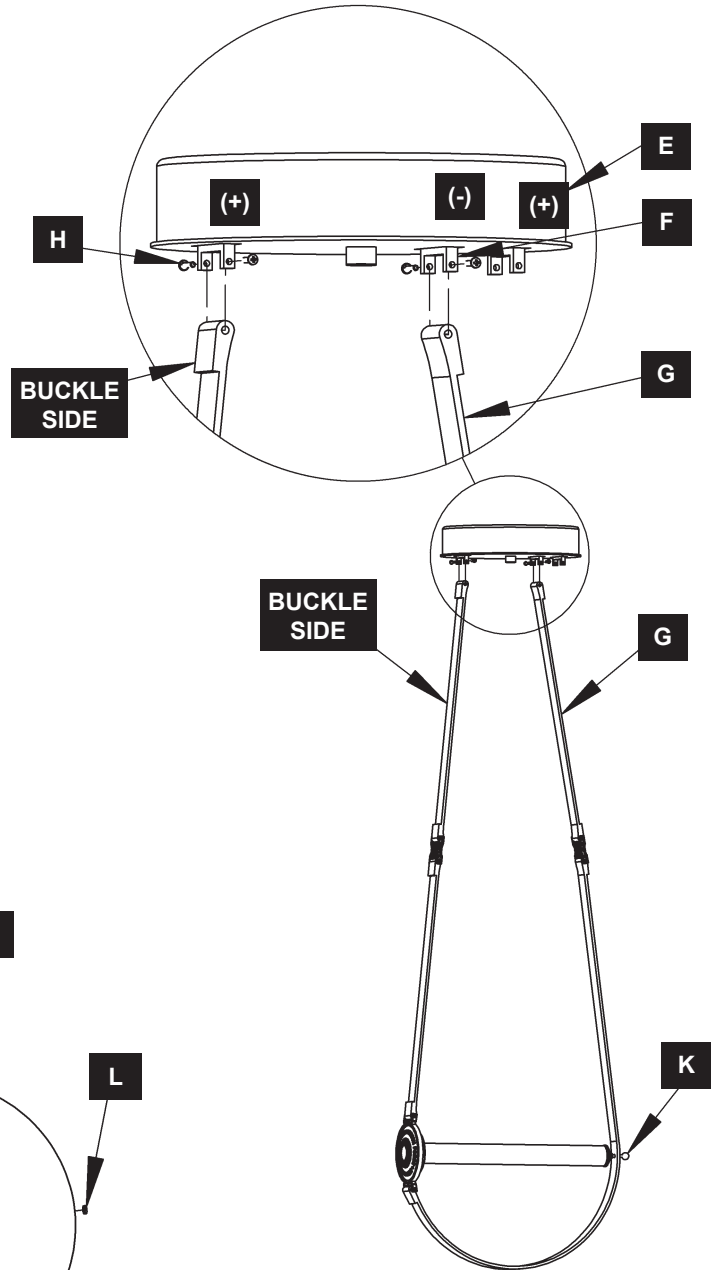
1. Locate remaining parts. Attach leather strap assembly (G) with long glass tube (I) to brass hangers (F) using brass screws (H). (Figure 2)

Note: Make sure to align the buckle strap side with the (+) brass hanger (F).

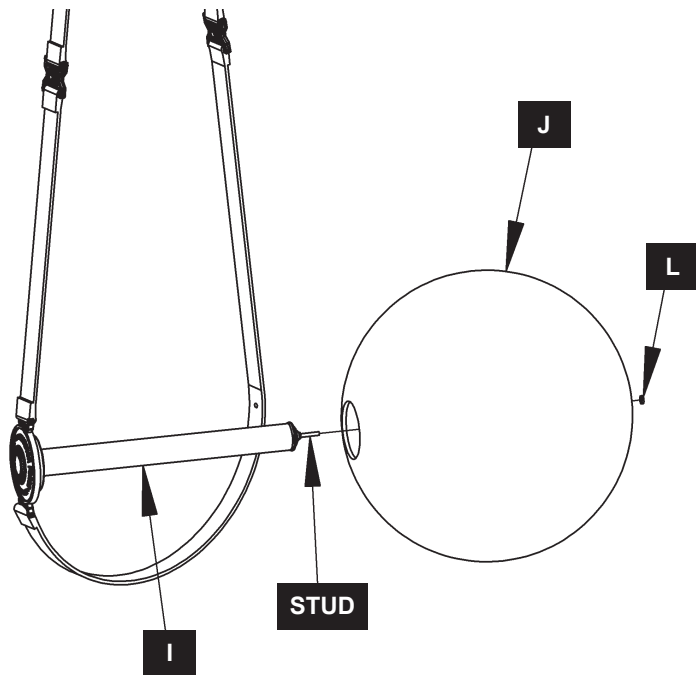
2. Remove ball nut (K) and threaded washer (L) from stud on long glass tube (I). Retain parts for later use.
3. Unpack large glass globe (J). Be careful as this is very fragile.
4. Insert long glass tube (I) into large glass globe (J). (Figure 3)

CAUTION: IT IS THE RESPONSIBILITY OF THE INSTALLER TO SECURE GLASS GLOBE (J) PER INSTRUCTIONS. FAILURE TO DO SO WOULD IMPLY THE RISK OF PERSONAL INJURY.

5. Fit leather strap assembly (G) around large glass globe (J), slide stud through grommet in leather strap (G) and secure with threaded washer (L). (Figure 3)
6. Follow instructions on next page to complete installation.



(Figure 2)



(Figure 3)

Derby Multi LED Pendant 131045

To Install Small Globe (Figure 4,5)

1. Locate remaining parts. Attach buckle side of small leather strap assembly (P) with short glass tube (Q) to brass hanger (F) using brass screws (H) (Figure 4)

Note: Make sure to align the buckle strap side with the (+) brass hanger (F).

2. Attach brass fitting (M) to stud with ball nut (K).

Note: If ball nut (K) does not secure brass fitting (M), add an extra threaded washer (L) found in kit bag.

3. Remove ball nut (K) from stud on short glass tube (Q). Retain for later use.
4. Unpack small glass globe (N). Be careful as this is very fragile.
5. Insert short glass tube (Q) into small glass globe (N). (Figure 5)

CAUTION: IT IS THE RESPONSIBILITY OF THE INSTALLER TO SECURE GLASS GLOBE (N) PER INSTRUCTIONS. FAILURE TO DO SO WOULD IMPLY THE RISK OF PERSONAL INJURY.

6. Fit small leather strap assembly (P) around small glass globe (N), slide stud through grommet in small leather strap (P) and secure with ball nut (K). (Figure 5)
7. Install brass clip (O) onto two straps to secure small glass globe.

CAUTION: THE LEATHER STRAPS CONDUCT LOW VOLTAGE ELECTRICITY. DO NOT LET ANY EXPOSED BRASS MAKE CONTACT BETWEEN STRAPS.

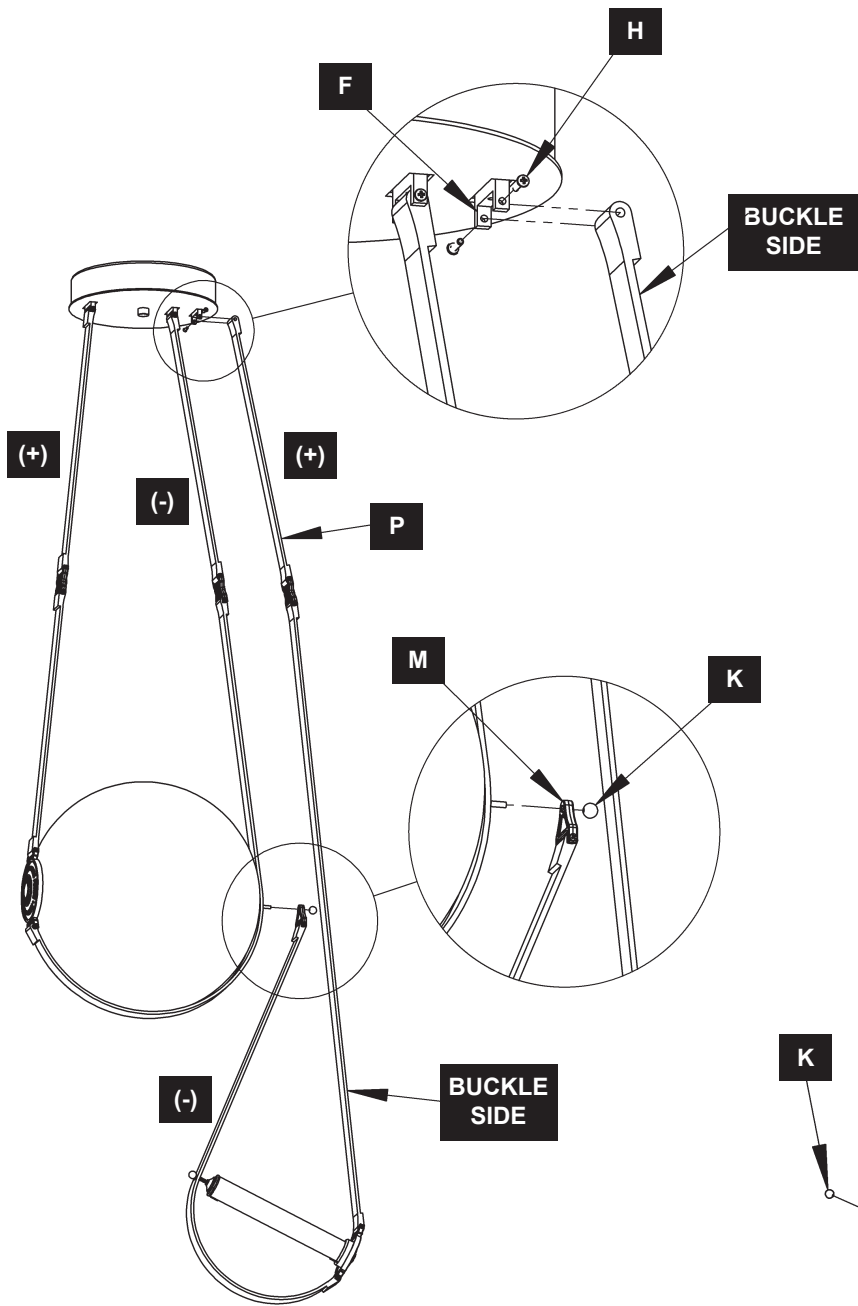
8. Restore electricity at main breaker.



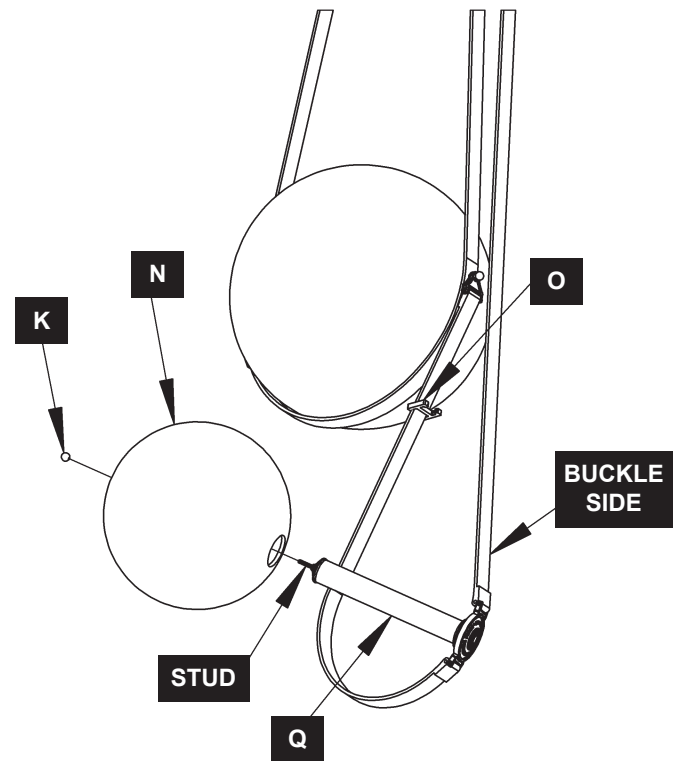
ASSEMBLY & INSTALLATION INSTRUCTIONS

A656

Derby Multi LED Pendant 131045



(Figure 4)



(Figure 5)

If you need further assistance, or find that you are missing any parts, please contact the dealer from which you purchased this product. We hope you enjoy your fixture!

**Hubbardton Forge will not be liable for injury or damage caused by improper installation, lamping or use of this fixture.*

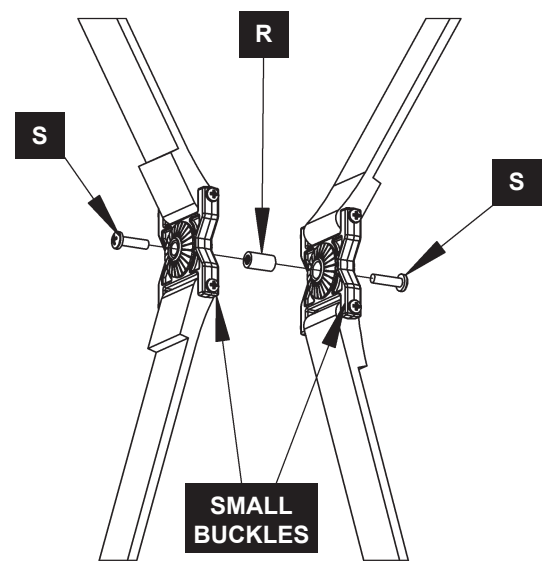
Derby Multi LED Pendant 131045

Leather Care

1. Turn off electricity at main breaker.
2. Wipe leather surface with a damp cloth to even out any abrasions or stains. Do not spot rub, for it will darken only that area. Occasional use of Aniline Leather Cleaner, Conditioner & Protector or Aniline Leather Maintenance Kit is recommended. Other leather cleaners such as saddle soap or household cleaners that may contain harsh chemicals, alcohol or ink removers should never be used.
3. Restore electricity at main breaker.

Optional Setup *(Figure 6)*

1. To bring leather strap assembly (G) together, locate nylon standoff (R) and #6 screws (S) found in kit bag.
2. Install nylon standoff (R) between small buckles using #6 screws (S) as shown. (Figure 6)



(Figure 6)