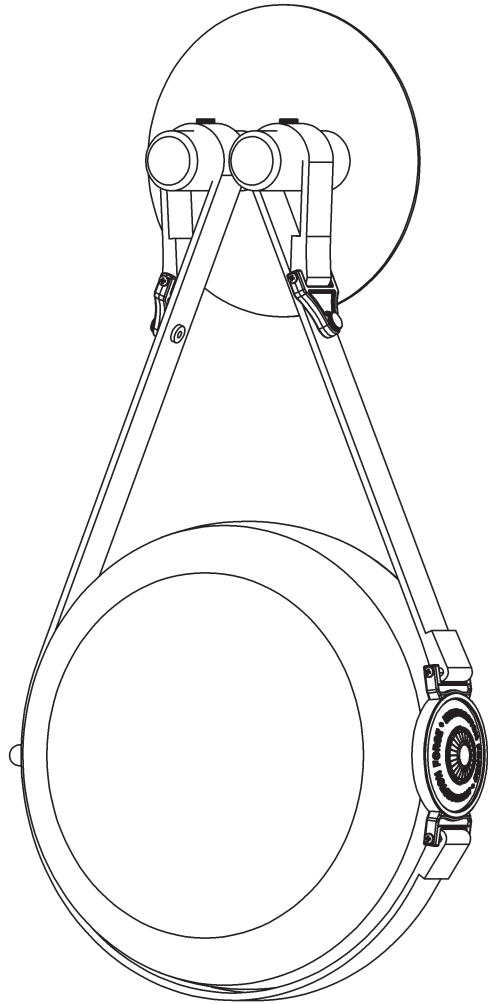


# ASSEMBLY & INSTALLATION INSTRUCTIONS

B429

Derby Sconce 201030

---



HUBBARDTON FORGE.

MODERN AMERICAN BLACKSMITHS | FINE, HAND CRAFTED LIGHTING  
CASTLETON, VERMONT USA | HUBBARDTONFORGE.COM

**Component Parts**

- A      Fixture**
- B      Crossbar**
- C      Driver**
- D      #8 Screw (2)**
- E      Cupped Washer**
- F      Ground Screw**
- G      Leather Strap Assembly**
- H      Brass Screw (2)**
- I      Glass Tube**
- J      Glass Globe**
- K      Ball nut**



# ASSEMBLY & INSTALLATION INSTRUCTIONS

B429

Derby Sconce 201030

**CAUTION: FAILURE TO INSTALL THIS FIXTURE PROPERLY MAY RESULT IN SERIOUS PERSONAL INJURY OR DEATH AND PROPERTY DAMAGE.** We recommend installation by a licensed electrician. This product must be installed in accordance with applicable installation code(s), by a person familiar with the construction and operation of the product and the hazards involved.\*

Please Note: After installation extra hardware and accessories are possible due to our kits are used on multiple products and options.

## To Install To Wall (Figure 1)

**CAUTION: BE SURE POWER IS OFF AT THE MAIN BREAKER BOX PRIOR TO INSTALLATION.**

1. Carefully unpack fixture from the carton.
2. Hold driver (C) close to wall. Using suitable wire connectors (not provided) connect driver wires to supply wires (white to white and black to black).

**CAUTION: MAKE SURE WIRE CONNECTORS ARE TWISTED ON SECURELY AND NO BARE WIRE IS EXPOSED.**

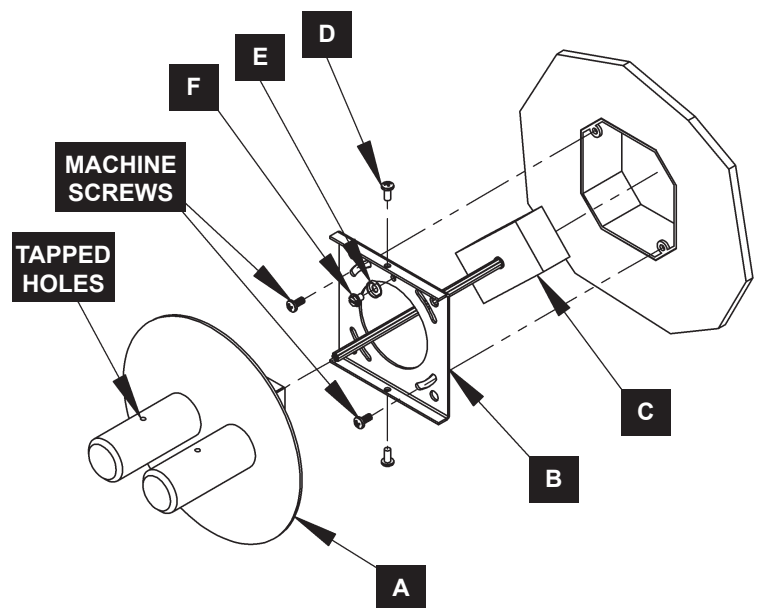
3. Push driver (C) into electric box with wires facing out.
4. Using two machine screws (not provided) attach crossbar (B) to electric box.

**Note:** A new electric box comes with screws. When replacing a fixture, retain the existing screws for use with the new fixture.

5. Attach a pigtail lead to crossbar (B) using cupped washer (E) and ground screw (F) found in kit bag.
6. Hold fixture (A) close to wall with tapped holes facing up. Connect driver wires to supply wires (red to red and blue to black).
7. Connect all ground wires (bare copper or green to bare copper or green).
8. Push fixture (A) firmly against the wall. Attach fixture (A) to wall using #8 screws (D) on top and bottom.

**CAUTION: BE SURE NO WIRES ARE PINCHED BETWEEN THE FIXTURE AND THE WALL.**

9. Follow steps on next page to complete installation.



(Figure 1)

# ASSEMBLY & INSTALLATION INSTRUCTIONS

B429

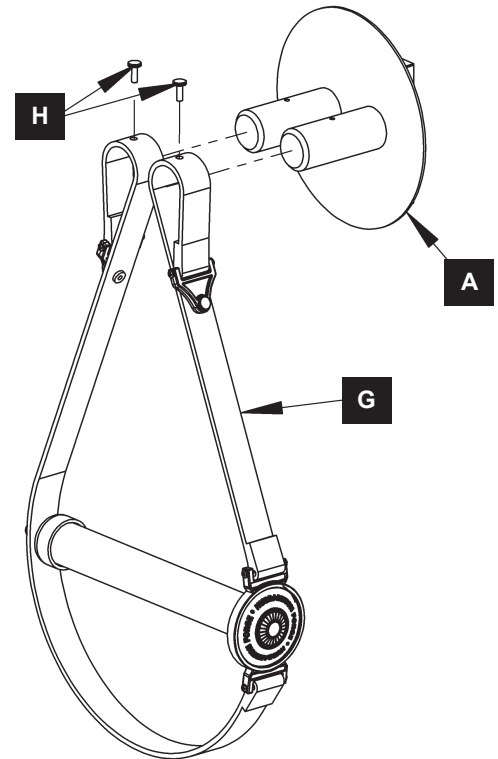
Derby Sconce 201030

## To Assemble Fixture (Figure 2-4)

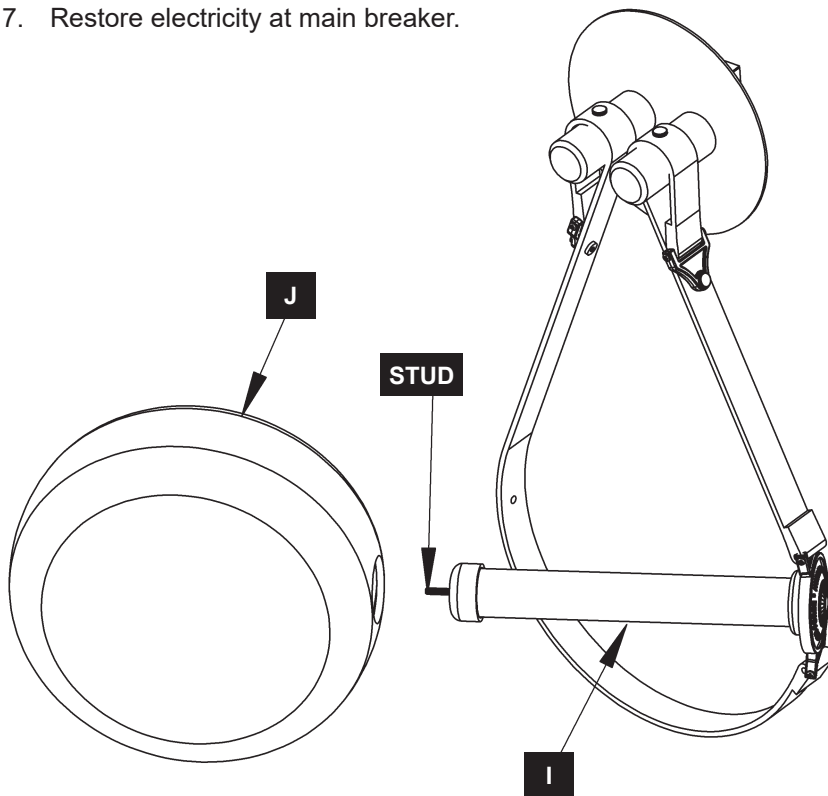
1. Locate remaining parts. Slide loops in leather strap assembly (G) onto fixture (A) while aligning (+) and (-) stickers. (Figure 2)
2. Line up holes in leather strap assembly (G) with tapped holes in fixture (A) and secure with brass screws (H).
3. Unpack glass globe (J). Be careful as this is very fragile.
4. Slide glass globe (J) over glass tube (I), larger hole end first. (Figure 3)

**CAUTION: IT IS THE RESPONSIBILITY OF THE INSTALLER TO SECURE GLASS GLOBE (J) PER INSTRUCTIONS, FAILURE TO DO SO WOULD IMPLY THE RISK OF PERSONAL INJURY.**

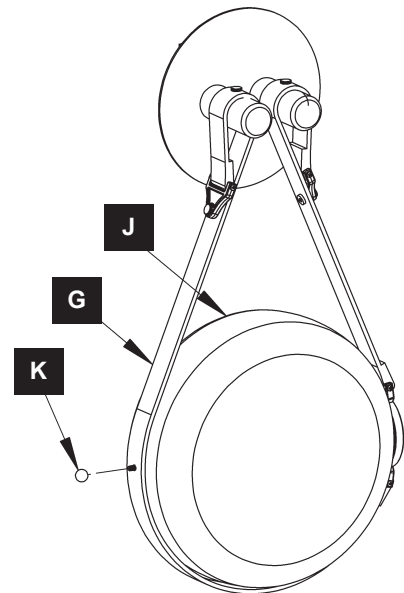
5. Fit leather strap assembly (G) around glass globe (J). If leather strap is too tight, it may be necessary rotate glass globe (J) 180 degrees around glass tube (I).
6. Slide stud through grommet in leather strap (G) and secure with ball nut (K). (Figure 4)
7. Restore electricity at main breaker.



(Figure 2)



(Figure 3)



(Figure 4)

If you need further assistance, or find that you are missing any parts, please contact the dealer from which you purchased this product. We hope you enjoy your fixture!

\*Hubbardton Forge will not be liable for injury or damage caused by improper installation, lamping or use of this fixture.