

Assembly Instructions

For Adjustable Fixtures

A8

Page 1 of 2

Components

- | | | | |
|---|---------------|---|---------------|
| A | Canopy | E | Canopy pipe |
| B | Clutch | F | Fixture pipe |
| C | Clutch sleeve | G | Fixture wires |
| D | Set screw | | |

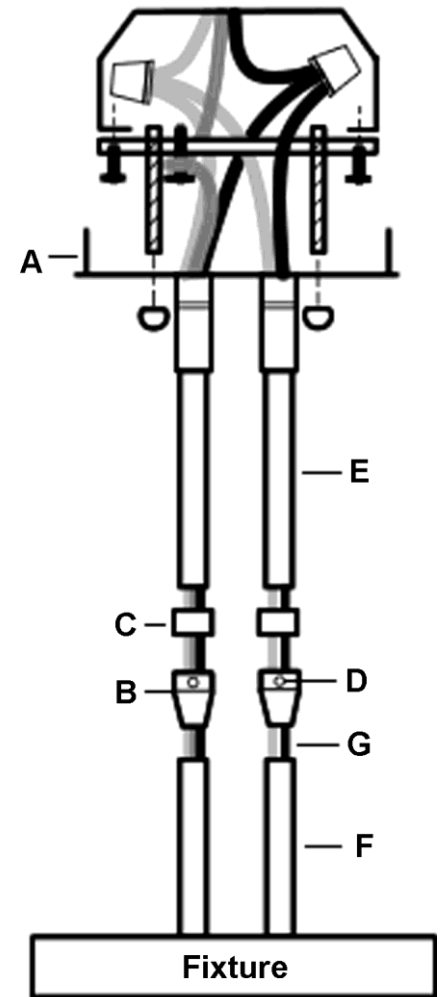
To Assemble

1. Carefully unpack the fixture from the carton.
2. Thread the wires from the fixture pipe (F) into and through the canopy pipe (E) up through the canopy (A). Depending on the fixture, the canopy pipe may be the larger or the smaller diameter of the two.
3. Unscrew the clutch (B) from the larger diameter pipe (either E or F); slide it across the wires and onto the smaller diameter pipe (either E or F). Follow this with the clutch sleeve (C), so it nests in the clutch (B).
4. Slide the smaller pipe (E or F) as far as necessary to give you the total length of the fixture which you desire. Be careful not to scratch the pipe surfaces and to pull excess wire up through the canopy (A). **There must be a minimum 1-1/2" of inner pipe inside the outer pipe.** Hand-tighten the clutch to temporarily hold this adjustment. **Tighten the set screw (D) firmly with hex wrench provided.**

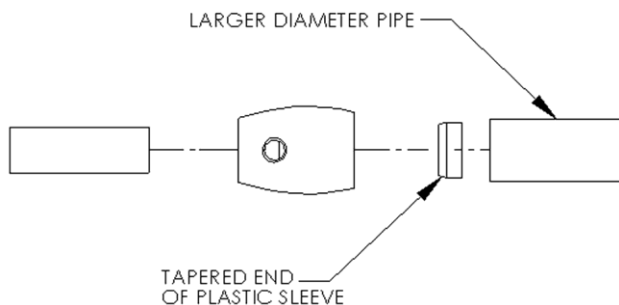
Important: To ensure full connection strength, be sure the tapered end of the plastic clutch sleeve is oriented toward the clutch when assembled and securely tighten set screw (Figure 2).

5. **Stop.** Please see installation instructions on other side.

Note: If your fixture has more than one set of pipes or stems in the canopy you will need to level the fixture. While **always** leaving one clutch firmly locked with the set screw, loosen the other(s). Raise or lower the pipe(s) in the other clutch to obtain plum and level and then tighten the set screw(s).



(Figure 1)



(Figure 2)

This illustration represents a typical two-stem fixture. Single- and four-stem fixtures follow the same procedure.

(continued)

Assembly Instructions

For Adjustable Fixtures

A8

Page 2 of 2

CAUTION: FAILURE TO INSTALL THIS FIXTURE PROPERLY MAY RESULT IN SERIOUS PERSONAL INJURY OR DEATH AND PROPERTY DAMAGE. We recommend installation by a licensed electrician.

This product must be installed in accordance with applicable installation code(s), by a person familiar with the construction and operation of the product and the hazards involved.*

Caution: Do not exceed maximum wattage noted on fixture. Use only recommended bulbs with fixture.

For fixtures requiring assembly, please refer to assembly instructions before installation.

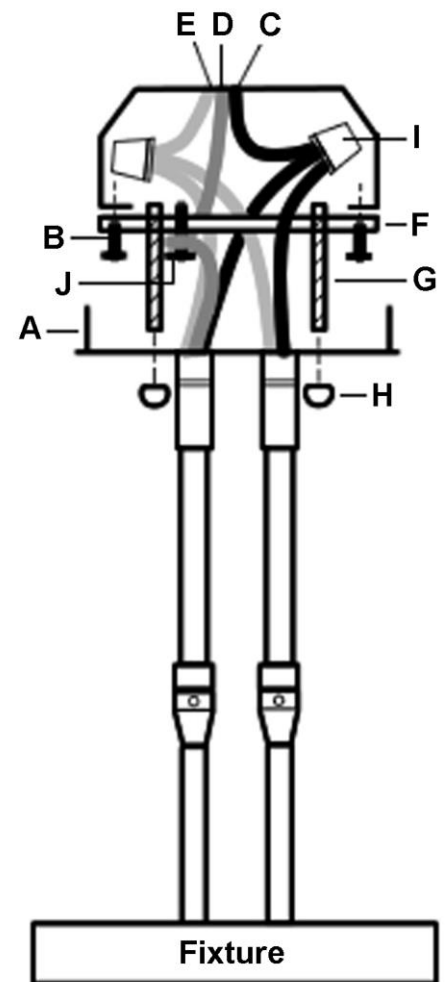
Component Parts

- | | |
|---|--|
| A Canopy | G 8-32 Threaded studs |
| B Electric box machine screws (not provided) | H 8-32 Knurled balls or 8-32 Threaded Knobs
(Depending on fixture purchased) |
| C Black wires | I Wire Nuts or Connections (not provided) |
| D Ground wires | J Ground screw |
| E White wires | |
| F Universal Round Cross Bar | |

To Install

Caution: Be sure power is off at the main breaker box prior to installation

1. Thread studs (G) through appropriate holes in the crossbar (F) to match hole centers on canopy (A). Move ground screw (J) to another available threaded hole if necessary.
2. Using two machine screws (B, not provided), fasten the crossbar (F) to the electric box using outer oval slots to orient fixture to desired hanging position.
Note: A new electric box comes with screws. When replacing a fixture, retain the existing screws for use with the new fixture.
3. Using suitable wire connectors (I) (not provided) connect fixture wires to supply wires (white to white and black to black or white to ribbed side of the fixture s cord, and black to the smooth side). Run a pigtail lead from crossbar ground screw (A) to the junction box and connect all ground wires (bare copper or green to bare copper or green).
Caution: Make sure wire connectors are twisted on securely, and no bare wire is exposed.
4. Slide fixture canopy (A) with fixture attached, over threaded studs (G) and push firmly to ceiling making sure that no wires are pinched between fixture canopy and ceiling. Fasten with the knurled balls (H). Be sure studs (G) are fully seated in the knurled balls (H).
5. Check fixture for height and level (see assembly instructions).
6. Install light bulb(s) (not included).
7. Install Glass
8. Restore electricity at main breaker box.



(Figure 3)

If you need further assistance, or find that you are missing any parts, please contact the dealer from which you purchased this product. We hope you enjoy your fixture!

* Hubbardton Forge will not be liable for injury or damage caused by improper installation, lamping or use of this fixture.

Assembly & Installation Instructions

Cuff Pendant 18730, 18733 & 18734

A331

Page 1 of 2

CAUTION: FAILURE TO INSTALL THIS FIXTURE PROPERLY MAY RESULT IN SERIOUS PERSONAL INJURY OR DEATH AND PROPERTY DAMAGE. We recommend installation by a licensed electrician.

This product must be installed in accordance with applicable installation code(s), by a person familiar with the construction and operation of the product and the hazards involved.*

Caution: Do not exceed maximum wattage noted on fixture. Use only recommended bulbs with fixture.

Please Note: After installation, extra hardware and accessories are possible; our kits are used on multiple products and options.

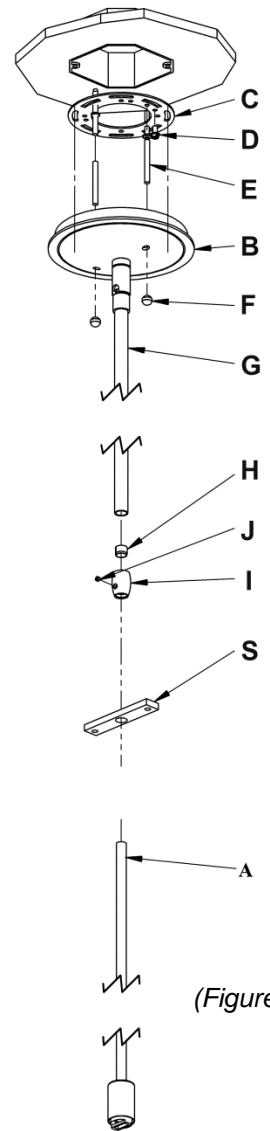
To Complete Fixture Assembly (Figures 1 & 2)

Component Parts

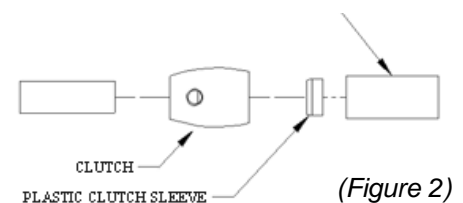
A	Fixture Pipe	G	Canopy Pipe
B	Canopy	H	Plastic Clutch Sleeve
C	Crossbar	I	Clutch
D	Ground Screw	J	Set Screw
E	Threaded Stud (2)	S	Fixture Bar
F	Barrel Knob (2)		

Caution: Be sure power is off at the main breaker box prior to installation.

1. Thread the wires from the fixture pipe (A) into and through the center hole in the fixture bar (S), canopy pipe (G) up through the canopy (B).
2. Unscrew the clutch (I) from the canopy pipe (G); slide it and fixture bar (S) across the wires and onto the fixture pipe (A). Follow this with the plastic clutch sleeve (H), oriented so the tapered end of the clutch sleeve nests in the clutch.
3. Slide the canopy pipe (G) as far as necessary to give you the total length of the fixture which you desire. Be careful not to scratch the pipe surfaces. Pull excess wire up through the canopy pipe (G). Screw clutch (I) onto canopy pipe (G). There must be a minimum 1-1/2" of inner pipe inside the outer pipe. Hand-tighten the clutch to temporarily hold this adjustment. Tighten set screw (J) firmly with hex wrench provided. **Important:** To ensure full connection strength, be sure the tapered end of the plastic clutch sleeve is oriented toward the clutch when assembled and securely tighten set screw (Figure 2).
4. Thread studs (E) through appropriate holes in crossbar (C) to match holes in canopy (B).
5. Using two machine screws (not provided), fasten the crossbar (C) to the electric box.
Note: A new electric box comes with screws. When replacing a fixture, retain the existing screws for use with the new fixture.
6. Using suitable wire connectors (not provided) connect fixture wires to supply (white to white and black to black). Run a pigtail lead from crossbar ground screw (D) to the junction box and connect all ground wires (bare copper or green to bare copper or green). **Caution:** Make sure wire connectors are twisted on securely, and no bare wire is exposed.



(Figure 1)



(Figure 2)

Assembly & Installation Instructions

A331

Page 2 of 2

Cuff Pendant 18730, 18733 & 18734

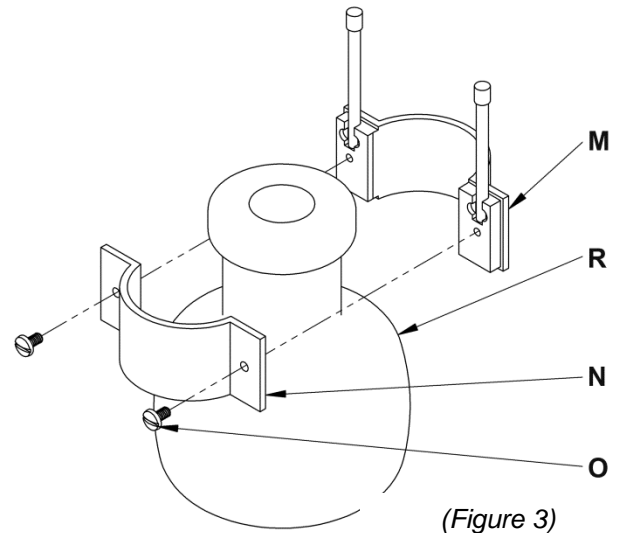
- Slide canopy (B) over threaded studs (E) and push firmly to ceiling, making sure that no wires are pinched between fixture canopy and ceiling. Fasten with barrel knobs (F). Be sure studs (E) are fully seated in the barrel knobs (F)
- Once the fixture is fastened to the ceiling slight height adjustments can be made by untightening the set screw (J) in clutch (I), adjusting fixture height and then retighten set screw (J) firmly with hex wrench provided. Only after the set screw (J) is tight should you install the glass

To Install Bulb & Glass (Figures 3 & 4)

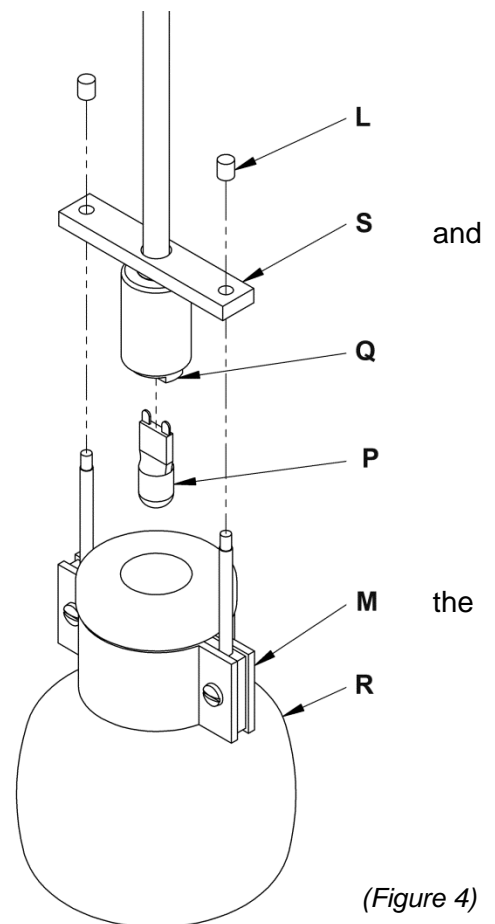
Component Parts

- L Knobs (2)
- M Glass Cage Half w/ Rods
- N Glass Cage Half
- O Screws (2)
- P Bulb (Included)
- Q Socket
- R Glass
- S Fixture Bar

- Remove screws (O) from glass cage assembly (M & N) separate the two halves. Place glass (R) between cage halves (M & N) and reattach halves using screws (O) (Figure 3).
- Install bulb (P) into socket (Q) (Figure 4). *Be careful not to touch bulb with bare hands; oil from the hands will dramatically reduce bulb life.*
- Remove knobs (L) from glass cage half with rods (M) (Figure 4).
- Raise glass cage assembly (M & N) and glass (R) up and place rods through the holes in the fixture bar (S). Thread knobs (L) onto the rods (Figure 4).
- Restore electricity at main breaker.



(Figure 3)



(Figure 4)

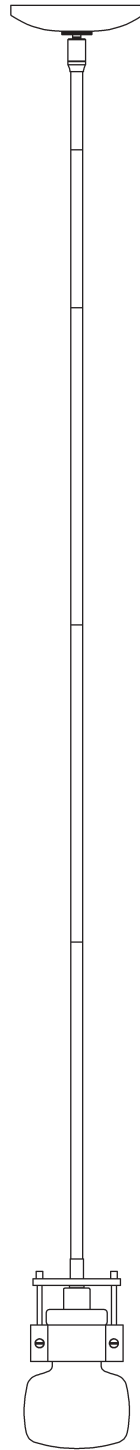
If you need further assistance, or find that you are missing any parts, please contact the dealer from which you purchased this product. We hope you enjoy your fixture

*Hubbardton Forge will not be liable for injury or damage caused by improper installation, lamping or use of this fixture.

ASSEMBLY & INSTALLATION INSTRUCTIONS

A722

Cuff Mini Pendant Small 187300



HUBBARDTON FORGE.

MODERN AMERICAN BLACKSMITHS | FINE, HAND CRAFTED LIGHTING
CASTLETON, VERMONT USA | HUBBARDTONFORGE.COM

Component Parts

- A Fixture**
- B Fixture Coupling**
- C Crossbar**
- D Jam Nut**
- E Threaded Nipple**
- F Ground Screw**
- G Canopy Ring**
- H Canopy**
- I Swivel**
- J 3" Fixture Pipe (1)**
- K 6" Fixture Pipe (1)**
- L 12" Fixture Pipe (3)**
- M Stem Nipple (6)**
- N Socket**
- O Bulb**
- P Screws**
- Q Cage Halves**
- R Glass**
- S Knobs**



ASSEMBLY & INSTALLATION INSTRUCTIONS

A722

Cuff Mini Pendant Small 187300

CAUTION: FAILURE TO INSTALL THIS FIXTURE PROPERLY MAY RESULT IN SERIOUS PERSONAL INJURY OR DEATH AND PROPERTY DAMAGE. We recommend installation by a licensed electrician. This product must be installed in accordance with applicable installation code(s), by a person familiar with the construction and operation of the product and the hazards involved.*

Caution: Do not exceed maximum wattage noted on fixture. Use only recommended bulbs with fixture.

Please Note: After installation extra hardware and accessories are possible due to our kits are used on multiple products and options.

To Install Fixture (Figure 1) on following page

CAUTION: BE SURE POWER IS OFF AT THE MAIN BREAKER BOX PRIOR TO INSTALLATION.

1. Carefully unpack fixture (A) from the carton.
2. Thread jam nut (D) and crossbar (C) onto threaded nipple (E) with ground screw (F) facing towards swivel (I); leave both parts loose.
3. Using two machine screws (not provided), temporarily fasten crossbar (C) to the electric box.

NOTE: A NEW ELECTRIC BOX COMES WITH SCREWS. WHEN REPLACING A FIXTURE, RETAIN THE EXISTING SCREWS FOR USE WITH THE NEW FIXTURE.

4. Adjust the length of threaded nipple (E) in crossbar (C) so that canopy ring (G) will hold canopy (H) against the ceiling with no threads showing for best appearance. When the correct adjustment is established, tighten jam nut (D) against crossbar (C) to secure the adjustment.
5. Remove crossbar (C) from the electrical box and proceed with the assembly instructions.
6. Locate fixture pipes (J, K, L), fixture (A) and stem nipples (M). Nipples (M) can be found in the kit bag.
7. Provided are multiple fixture pipes in three different lengths. Choose the combination that will achieve the overall height desired. Refer to the table below to determine the pipes required to reach the desired overall height. Once you have determined the components necessary, feed the wires that exit fixture coupling (B) through the individual components and thread pipes and couplings together. Wires will slip easier through loose components than through pipes and couplings that are pre-assembled. Once wires are run, apply thread locking compound to all the connection points and assemble the pipes and nipples.

		Overall Height of Fixture															
		9.6	12.6	15.6	18.6	21.6	24.6	27.6	30.6	33.6	36.6	39.6	42.6	45.6	48.6	51.6	54.6
# of Pipes Required	3" Pipe (J)		1		1		1		1		1		1		1		1
	6" Pipe (K)			1	1			1	1			1	1			1	1
	12" Pipe (L)					1	1	1	1	2	2	2	2	3	3	3	3

NOTE: APPLICATION OF THE THREAD LOCKING COMPOUND IS NECESSARY TO PREVENT THE PIPE FROM LOOSENING DURING REGULAR MAINTENANCE AND CLEANING OF THE FIXTURE. BE CERTAIN TO APPLY THE COMPOUND.

8. Carefully slide canopy ring (G) and canopy (H) over wires and fixture pipes (J, K, L) until they rest on fixture (A).
9. Slip wires from the fixture (A) through assembled swivel (I) and thread swivel onto final pipe. It may be necessary to remove a nipple (M) for this to work on shorter overall fixture heights.
10. Refer to instructions on next page to continue installation.

ASSEMBLY & INSTALLATION INSTRUCTIONS

A722

Cuff Mini Pendant Small 187300

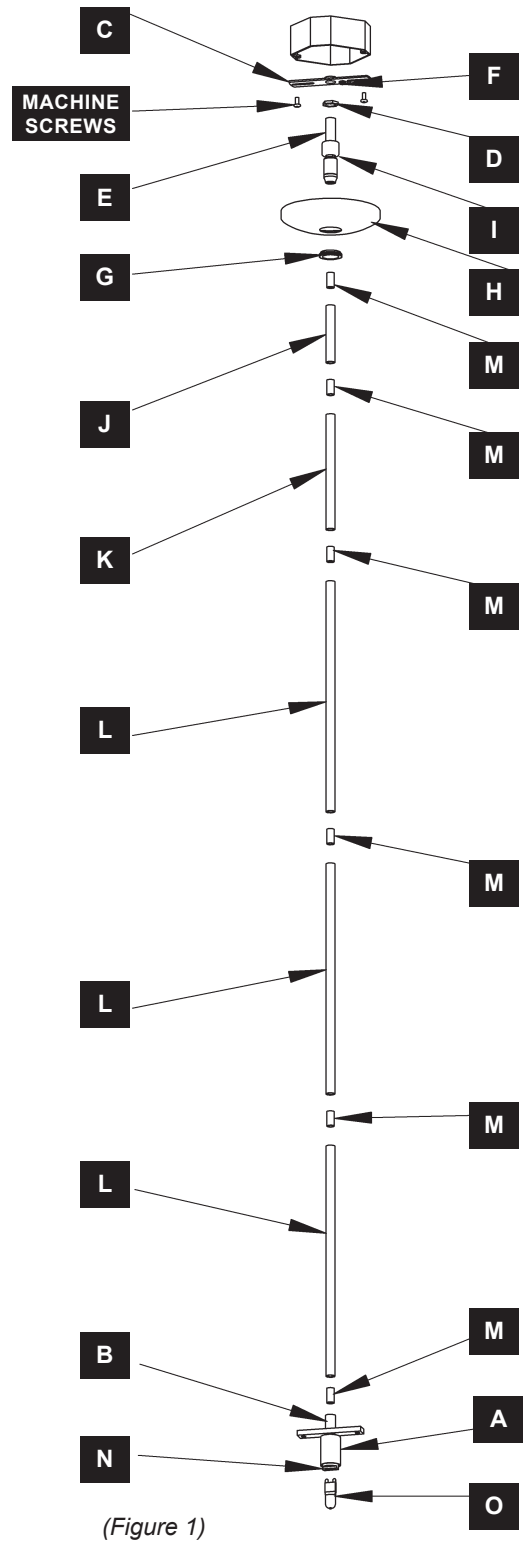
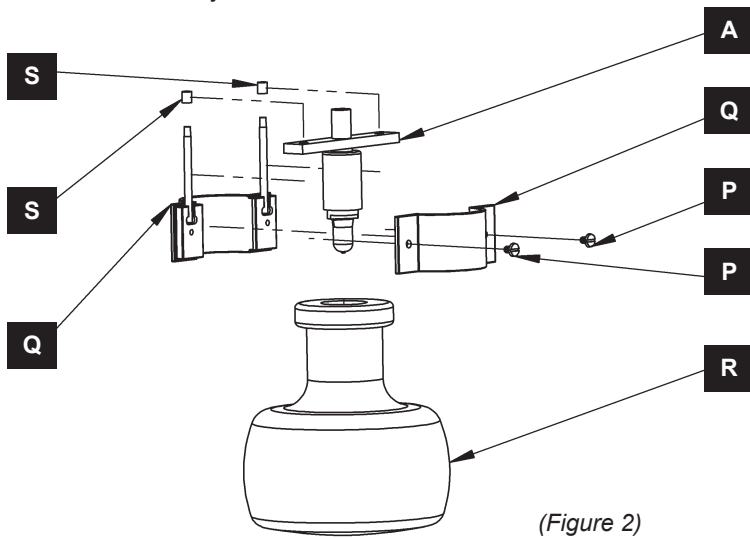
- Using two machine screws (not provided), fasten crossbar (C) to the electric box.
- Using suitable wire connectors (not provided) connect fixture wires to supply (white/ribbed to white and black/smooth to black). Attach a pigtail lead to crossbar ground screw (F). Hold canopy (H) close, connect all ground wires (bare copper or green to bare copper or green).

CAUTION: MAKE SURE WIRE CONNECTORS ARE TWISTED ON SECURELY, AND NO BARE WIRE IS EXPOSED.

- Slide canopy (H) against ceiling, and secure with canopy ring (G).

CAUTION: BE SURE NO WIRES ARE PINCHED BETWEEN CANOPY (H) AND THE CEILING.

- Install Bulb (O) in Socket (N). Be careful not to touch bulb with bare hands; oil from the hands will dramatically reduce bulb life
- Refer to Figure 2. Carefully unpack glass (T) and glass cage assembly (P,Q,S)
- Uninstall screws (P) and knobs (S) from the cage assembly.
- Install cages (Q) onto glass (R) in indented section securing them together with screws (P).
- Slide glass (R) and cages over bulb (O) onto fixture (A) securing with knobs (S).
- Restore electricity at main breaker.



If you need further assistance, or find that you are missing any parts, please contact the dealer from which you purchased this product. We hope you enjoy your fixture!
 *Hubbardton Forge will not be liable for injury or damage caused by improper installation, lamping or use of this fixture.