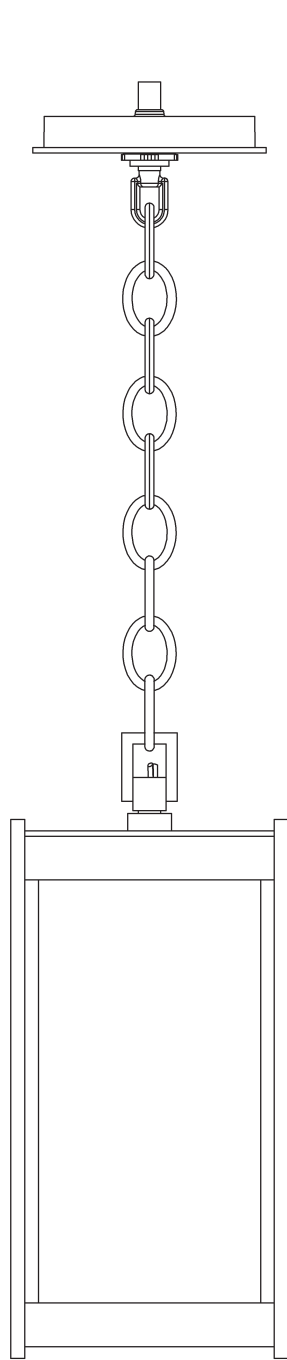


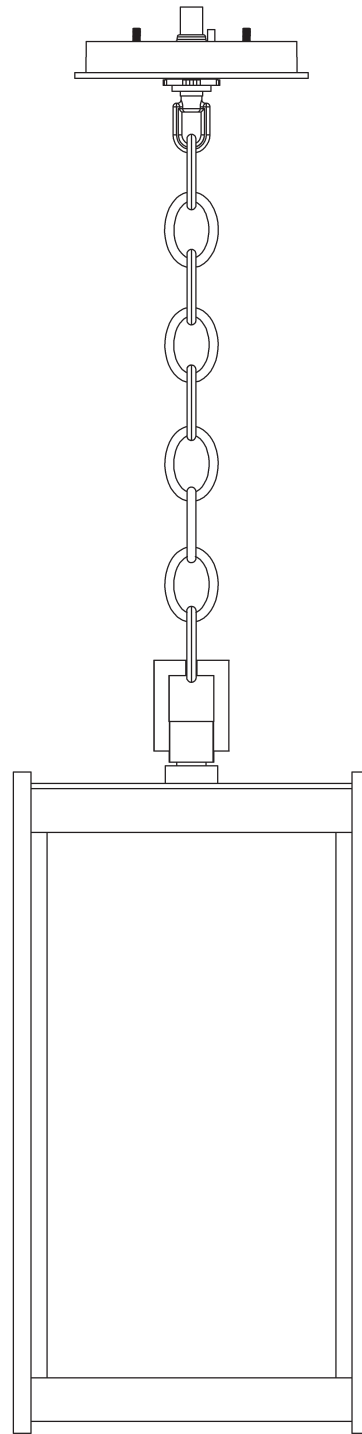
ASSEMBLY & INSTALLATION INSTRUCTIONS

A858

Cela Outdoor Lantern Medium & Large - 362021 & 362023



362021



362023

(shown in illustrations)

Component Parts

- A. Crossbar**
- B. Jam Nut**
- C. Nipple**
- D. Ground Screw**
- E. Canopy**
- F. Canopy Ring**
- G. Canopy Loop**
- H. Chain**
- I. Fixture Loop**
- J. Fixture**
- K. Socket**
- L. Bulb - Not Included**
- M. Glass**
- N. Glass Retainer**



ASSEMBLY & INSTALLATION INSTRUCTIONS

A858

Cela Outdoor Lantern Medium & Large - 362021 & 362023

CAUTION: FAILURE TO INSTALL THIS FIXTURE PROPERLY MAY RESULT IN SERIOUS PERSONAL INJURY OR DEATH AND PROPERTY DAMAGE. We recommend installation by a licensed electrician. This product must be installed in accordance with applicable installation code(s), by a person familiar with the construction and operation of the product and the hazards involved.*

Caution: Do not exceed maximum wattage noted on fixture. Use only recommended bulbs with fixture.

Caution: Damp location outdoor hanging fixtures are designed for use in covered spaces such as porches protected from prolonged exposure to water and wind. If installing in locations subject to wind the use of supplementary chains, cables, or similar restraints may be necessary to protect against swinging and twisting. If in doubt consult a qualified installer.

Please Note: After installation, extra hardware and accessories are possible; our kits are used on multiple products.

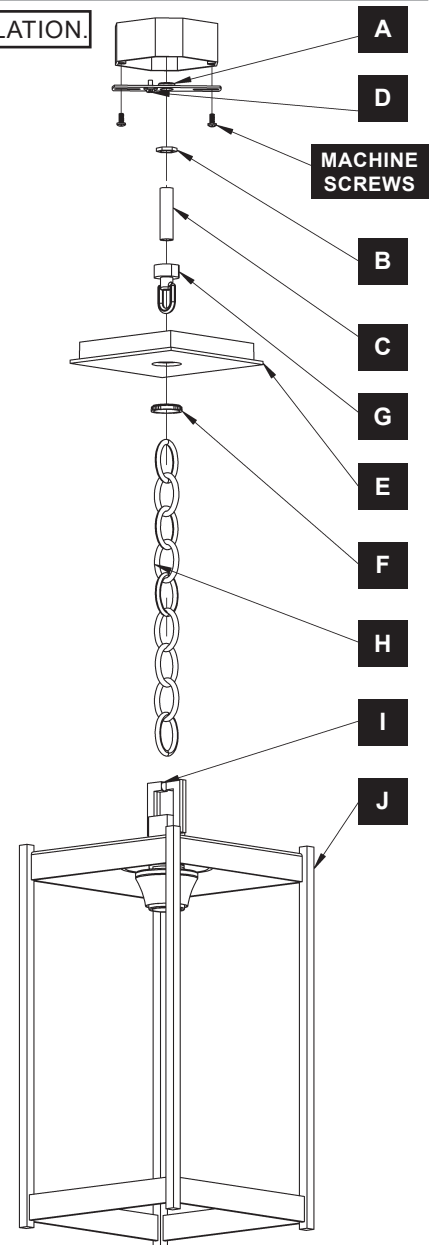
To Install Fixture (Figure 1)

CAUTION: BE SURE POWER IS OFF AT THE MAIN BREAKER BOX PRIOR TO INSTALLATION.

1. Carefully unpack fixture from the carton.
2. Using two machine screws (not provided), fasten the crossbar (A) to the electric box with the head of the ground screw (D) facing down.
Note: A new electric box comes with screws. When replacing a fixture, retain the existing screws for use with the new fixture.
3. Thread nipple (C) into crossbar (A) and then thread jam nut (B) and canopy loop (G) onto threaded nipple, leaving parts loose. Adjust the length of threaded nipple in crossbar (A) so that canopy ring (F), which comes threaded onto canopy loop (G), will hold canopy (E) against the ceiling with no threads showing for best appearance. When the correct adjustment is established, tighten jam nut against crossbar to hold adjustment.
4. Remove the crossbar (A) assembly from electrical box.
5. Attach one end of the chain (H) to the fixture loop (I) using a chain spreader (not provided). Lace the wires through every other link of the chain (H) to the end. Slip wires and chain (H) through canopy ring (F) and canopy (E). Fasten the chain to the canopy loop (G) using chain spreader.
6. Slip wires through the canopy loop (G) and nipple (C). Make sure to provide enough slack in the wire to ensure weight of fixture is supported by the chain.
7. Using two machine screws (not provided), reattach the crossbar (A) to the electric box.
8. Using suitable wire connectors (not provided) connect fixture wires to supply wires (white to ribbed side of the fixture cord, black to smooth side). Holding canopy (E) close to ceiling, run a pigtail lead from crossbar ground screw (D) to the electric box and connect all ground wires (bare copper or green to bare copper or green).
9. Raise canopy (E) to the ceiling and secure loop collar (F) to canopy loop (G).

CAUTION: MAKE SURE WIRE CONNECTORS ARE TWISTED ON SECURELY AND NO BARE WIRE IS EXPOSED.

10. Follow steps on next page to install glass.



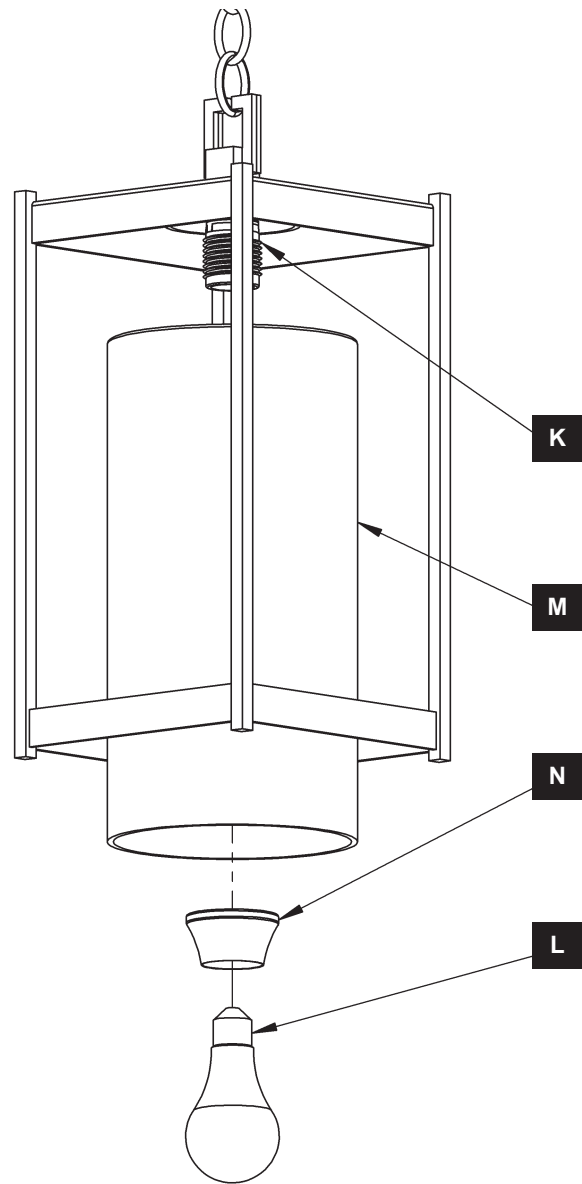
(Figure 1)

To Install Glass (Figure 2)

1. Glass retainer (J) is shipped installed on socket (G) Remove and set aside for use in following steps.
2. Carefully unpack glass (I) from carton.
3. Slide glass (I) over socket (G) and secure with glass retainer (J) .

Note: Do not overtighten as this could break glass.

4. Install bulb (not included) (H) into socket (G).
5. Restore electricity at main breaker.



If you need further assistance, or find that you are missing any parts, please contact the dealer from which you purchased this product. We hope you enjoy your fixture!

*** Hubbardton Forge will not be liable for injury or damage caused by improper installation, lamping or use of this fixture.**

(Figure 2)