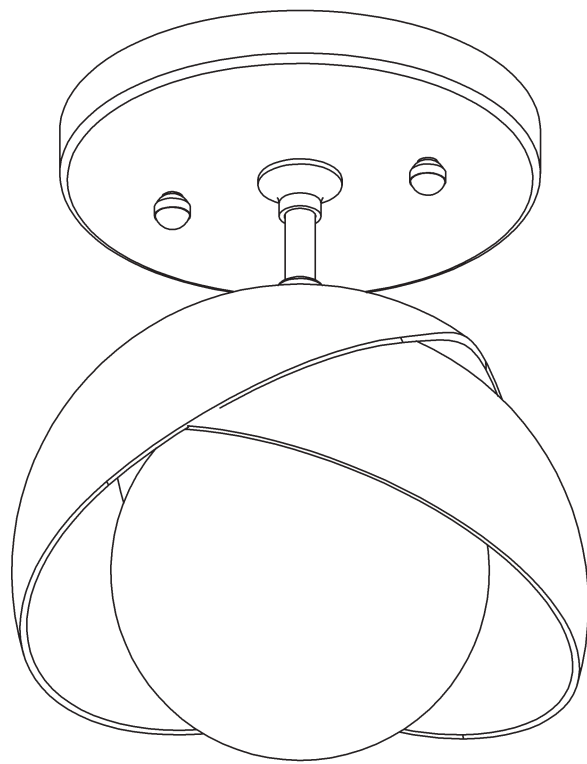


# ASSEMBLY & INSTALLATION INSTRUCTIONS

A750

Brooklyn Double Shade 1lt Semi Flush 121377

---



## Component Parts

<b>A</b>	<b>Fixture</b>
<b>B</b>	<b>Crossbar</b>
<b>C</b>	<b>Ground Screw</b>
<b>D</b>	<b>Threaded Stud (2)</b>
<b>E</b>	<b>Knurled Ball (2)</b>
<b>F</b>	<b>Nut (2)</b>
<b>G</b>	<b>Collar</b>
<b>H</b>	<b>Socket</b>
<b>I</b>	<b>Accent Shade (2)</b>
<b>J</b>	<b>Bulb - Not Included</b>
<b>K</b>	<b>Glass</b>



# ASSEMBLY & INSTALLATION INSTRUCTIONS

A750

Brooklyn Double Shade 1lt Semi Flush 121377

**CAUTION: FAILURE TO INSTALL THIS FIXTURE PROPERLY MAY RESULT IN SERIOUS PERSONAL INJURY OR DEATH AND PROPERTY DAMAGE.** We recommend installation by a licensed electrician. This product must be installed in accordance with applicable installation code(s), by a person familiar with the construction and operation of the product and the hazards involved.\*

**Caution:** Do not exceed maximum wattage noted on fixture. Use only recommended bulbs with fixture.

*Please Note: After installation extra hardware and accessories are possible; our kits are used on multiple products.*

## To Install Fixture (Figure 1)

**CAUTION: BE SURE POWER IS OFF AT THE MAIN BREAKER BOX PRIOR TO INSTALLATION.**

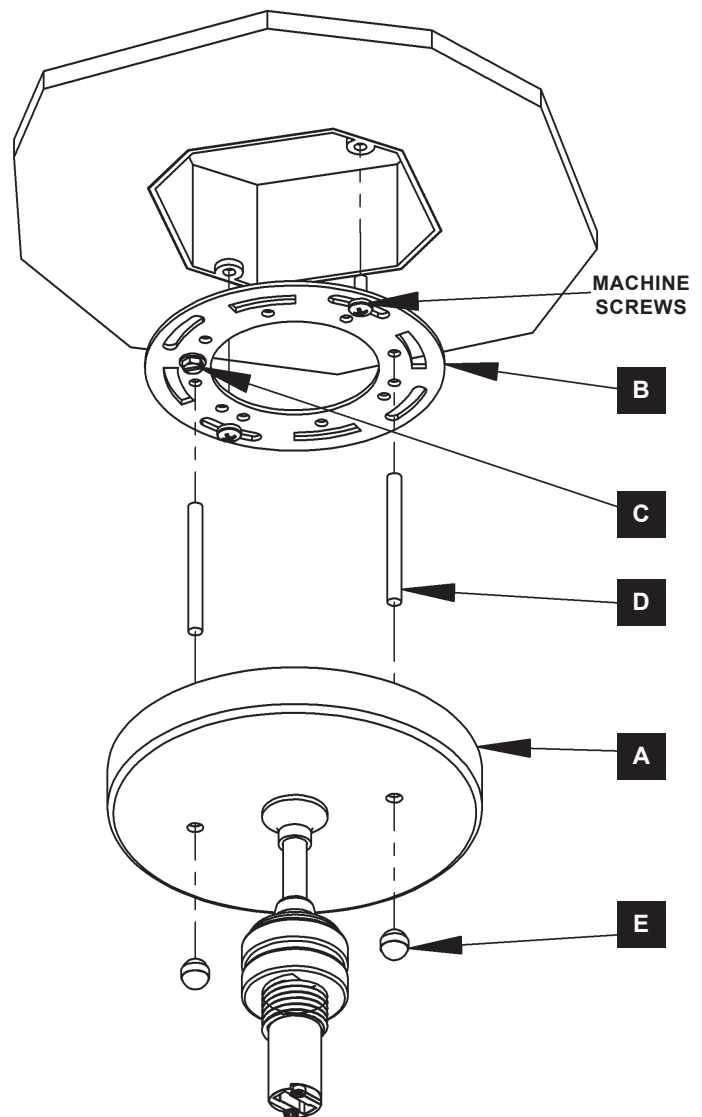
1. Carefully unpack the fixture (A) from the carton.
2. Using two machine screws (not provided) attach crossbar (B) to the electric box using outer oval holes to orient fixture.

**Note:** A new electric box comes with screws. When replacing a fixture, retain the existing screws for use with the new fixture.

3. Install threaded studs (D) into appropriate holes in crossbar (B) to line up with holes in fixture (A).
4. Hold fixture (A) close to ceiling. Using suitable wire connectors (not provided) connect fixture wires to supply (white to white and black to black). Attach a pigtail lead to ground screw (C). Connect all ground wires (bare copper or green to bare copper or green).

**CAUTION: MAKE SURE WIRE CONNECTORS ARE TWISTED ON SECURELY, AND NO BARE WIRE IS EXPOSED.**

5. Carefully tuck all wires inside fixture (A), push fixture firmly against the ceiling.
  6. Secure by threading knurled balls (E) onto threaded studs (D).
- Note:** Be sure no wires are pinched between the ceiling and the fixture. Be sure threaded studs are fully seated in balls.
7. See instructions on next page for completing installation.

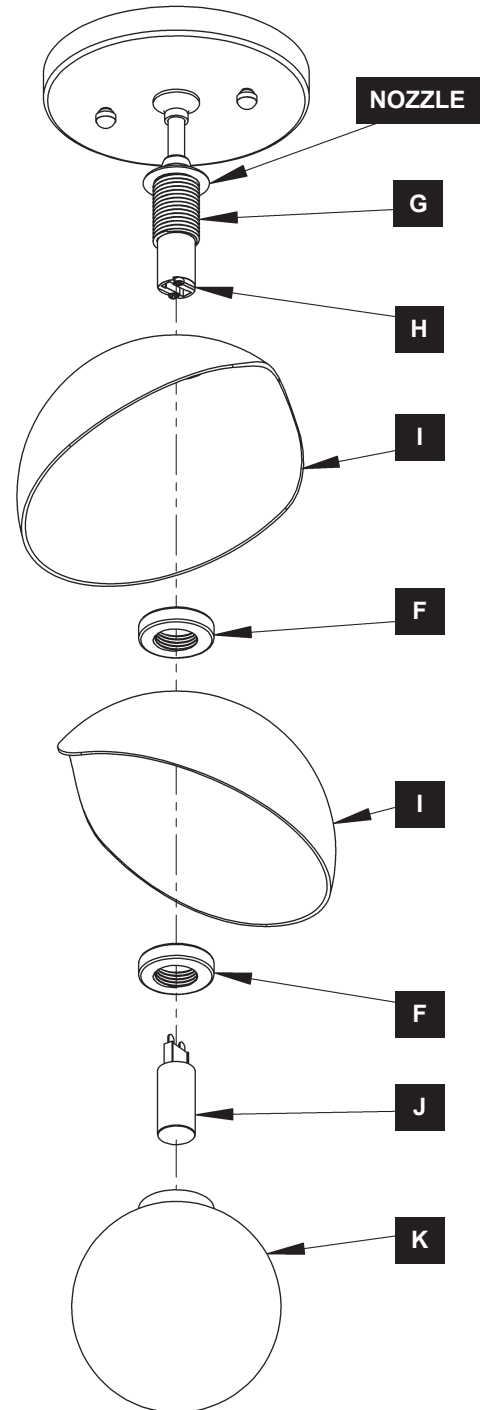


(Figure 1)

Brooklyn Double Shade 1lt Semi Flush 121377

## To Install Accent Shades & Glass (Figure 2)

1. Nuts (F) are shipped installed on collar (G). Remove and retain for next steps.
2. Slide accent shade (I) over collar (G) and up against nozzle. Rotate to desired location. Thread nut (F) onto collar (G) to secure shade (I).
3. Slide second accent shade (I) over collar (G) and up against nut (F). Rotate to desired location. Thread nut (F) onto collar (G) to secure second shade (I).
4. Install bulb (J), not included, into socket (H).
5. Carefully unpack glass (K) and thread onto collar (G).
6. Restore electricity at the main breaker



(Figure 2)

If you need further assistance, or find that you are missing any parts, please contact the dealer from which you purchased this product. We hope you enjoy your fixture!

*\* Hubbardton Forge will not be liable for injury or damage caused by improper installation, lamping or use of this fixture.*