

Assembly & Installation Instructions

CAUTION: FAILURE TO INSTALL THIS FIXTURE PROPERLY MAY RESULT IN SERIOUS PERSONAL INJURY OR DEATH AND PROPERTY DAMAGE. We recommend installation by a licensed electrician.

This product must be installed in accordance with applicable installation code(s), by a person familiar with the construction and operation of the product and the hazards involved.*

Caution: Do not exceed maximum wattage noted on fixture. Use only recommended bulbs with fixture.

To Attach Fixture Pipes (Figure 1)

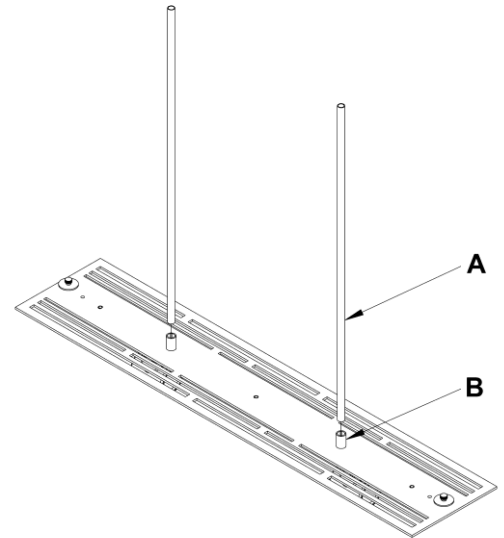
Component Parts

- A Fixture Pipe
- B Fixture Coupling

1. Carefully unpack the fixture from the carton.
2. Carefully thread fixture pipe (A), threaded end first, over fixture wires.
3. Apply a drop of the supplied thread locking compound to the internal threads at the top of the fixture (B) and screw stem into fixture, being careful not to twist the wires.

Note: Application of the thread locking compound is necessary to prevent the stem from loosening during regular maintenance and cleaning of the fixture. Be certain to apply the compound.

4. See instructions below to complete the installation.



(Figure 1)

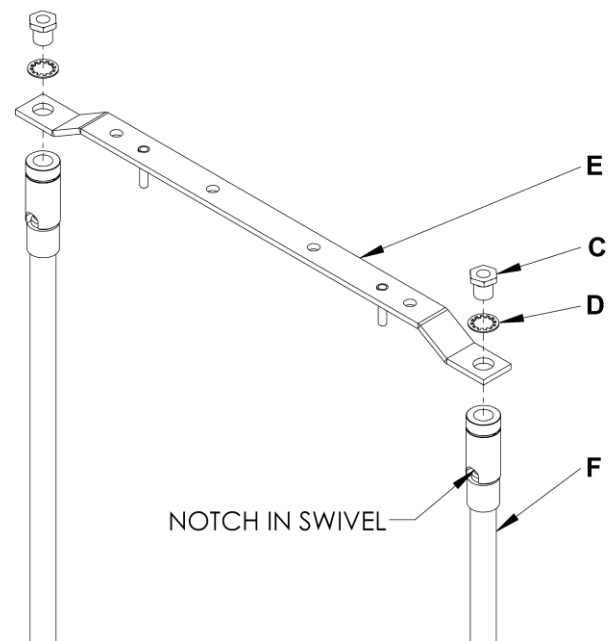
To Assemble Canopy Pipes to Ceiling Bracket (Figure 2)

Component Parts

- C Hex Nipple (2)
- D Lock Washer (2)
- E Ceiling Bracket
- F Canopy Pipes (2)

1. Insert threaded end of hex nipple (C) down through lock washer (D), ceiling bracket (E) and into swivel at the end of canopy pipe (F). *Note: Ceiling bracket oriented with threaded studs pointing downward.*
2. Tighten securely being sure the notches in the swivels are aligned.

Note: If installing on a sloped ceiling, make certain that the notches in the swivel portion of the stems are oriented toward the lower side of the slope.



(Figure 2)

Assembly & Installation Instructions

Brindille Pendant 137660 & Twofold Pendant 137640

A262

Page 2 of 4

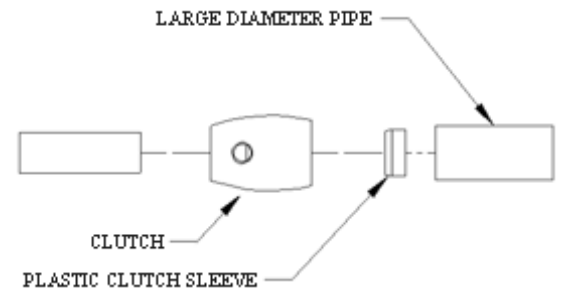
To Complete Fixture Assembly (Figures 3 & 4)

Component Parts

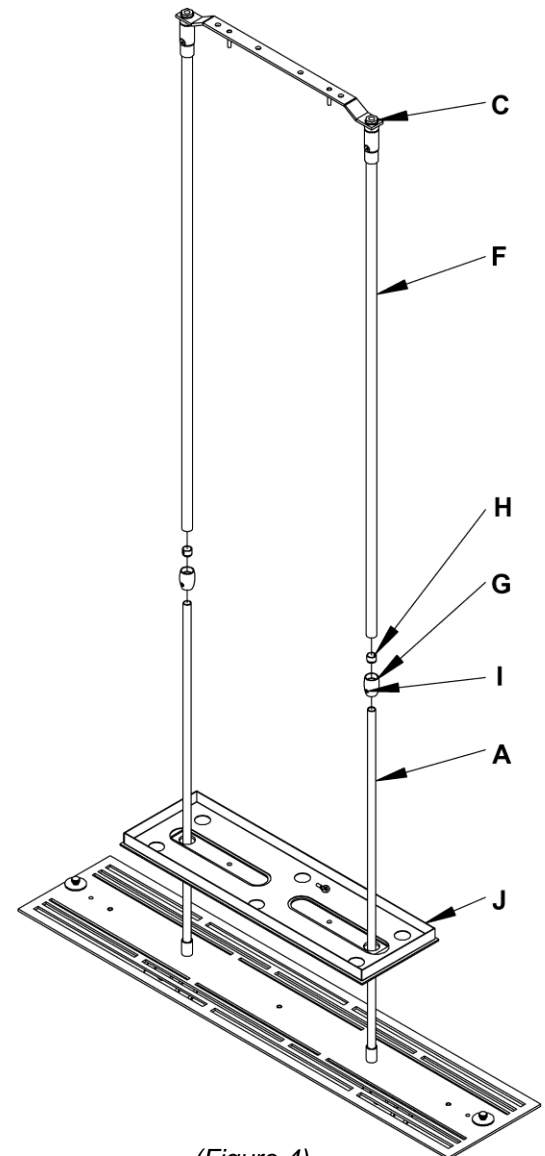
- | | | | |
|---|------------------|---|---------------------------|
| A | Fixture Pipe (2) | H | Plastic Clutch Sleeve (2) |
| C | Hex Nipple | I | Set Screw (2) |
| F | Canopy Pipe (2) | J | Canopy |
| G | Clutch (2) | | |

Caution: Be sure power is off at the main breaker box prior to installation.

1. Thread wires from the fixture pipe (A) through canopy (J). Slide canopy (J) down fixture pipe (A) until it rest on top of fixture.
2. Thread the wires from the fixture pipe (A) into and through the canopy pipe (F) up through the hex nipple (C).
3. Unscrew the clutch (G) from the canopy pipe (F); slide it across the wires and onto the fixture pipe (A). Follow this with the plastic clutch sleeve (H), oriented so the tapered end of the clutch sleeve nests in the clutch (Figure 3).
4. Slide the canopy pipe (F) as far as necessary to give you the total length of the fixture which you desire. Be careful not to scratch the pipe surfaces and to pull excess wire up through the canopy pipe (F). Screw clutch (G) onto canopy pipe (F). There must be a minimum 1-1/2" of inner pipe inside the outer pipe. Hand-tighten the clutch to temporarily hold this adjustment. The clutch is not securely fastened at this point; do not depend on it to hold the fixture.
Important: To ensure full connection strength, be sure the tapered end of the plastic clutch sleeve is oriented toward the clutch when assembled. (Figure 3).
5. Tighten the set screws (I) firmly with hex wrench provided. Only after the set screws (I) are tight should you install to the ceiling.
6. Continue with Ceiling Installation below.



(Figure 3)



(Figure 4)

(continued)

Assembly & Installation Instructions

To Install to Ceiling (Figure 5)

Component Parts

E Ceiling Bracket	L Crossbar	O Barrel Knob (2)
I Set Screw (2)	M #8 Screw (2)	P Ground Screw
J Canopy	N Threaded Stud (2)	

1. Thread studs (M) through appropriate holes in crossbar (L) to match holes in canopy (J).
2. Using two machine screws (not provided) fasten the crossbar (L) to the electric box using outer oval slots to orient fixture to desired hanging position.

Note: A new electric box comes with screws. When replacing an existing fixture, retain screws for use with the new fixture.

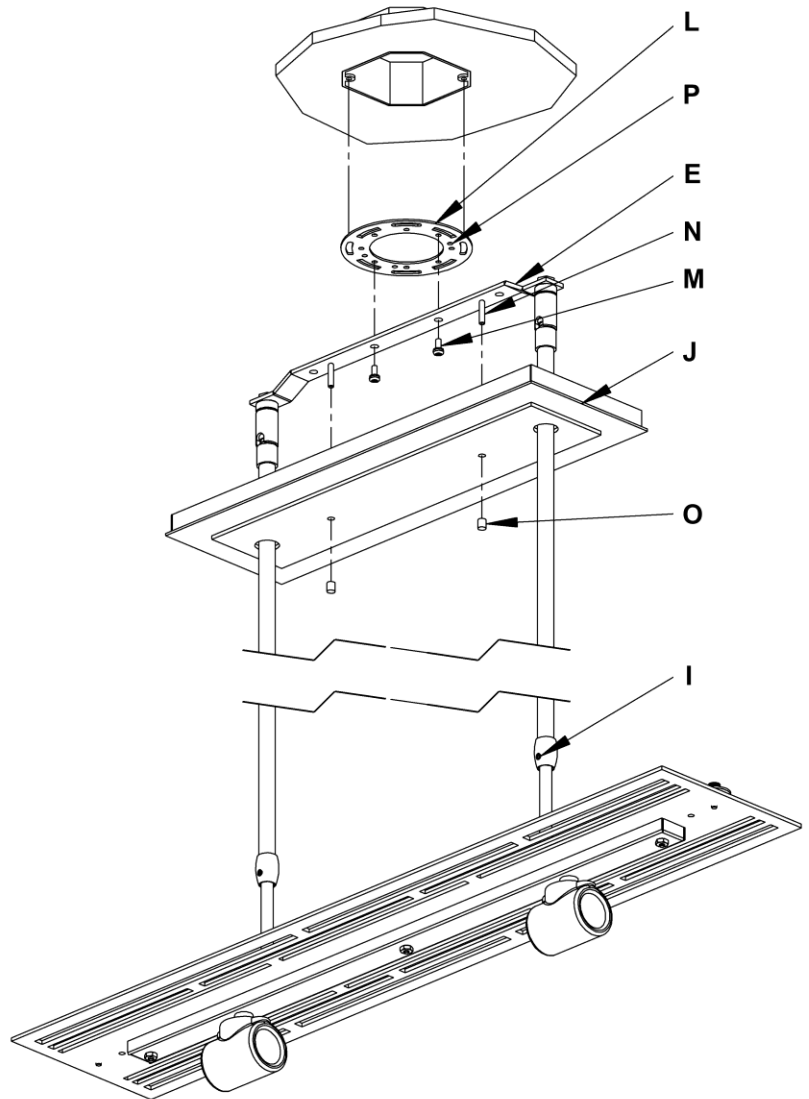
3. Raise fixture to ceiling aligning holes in crossbar (L) with holes in ceiling bracket (E) install two #8 screws (M).
4. Using suitable wire connectors (not provided) connect fixture wires to supply (white to white and black to black). Run a pigtail lead from crossbar ground screw (P) to the junction box and connect all ground wires (bare copper or green to bare copper or green). Push wires back into outlet box.

Caution: Make sure wire connectors are twisted on securely, and no bare wire is exposed.

5. Raise canopy (J) to ceiling over threaded studs (N) and push firmly to ceiling, making sure that no wires are pinched between canopy and ceiling. Fasten with barrel knob (O).

Note: Be sure both swivel notches are aligned in the same direction. For sloped ceilings the notches should face towards the down side.

6. Refer instructions following to install diffuser and shade.



(Figure 5)

Assembly & Installation Instructions

Brindille Pendant 137660 & Twofold Pendant 137640

A262

Page 4 of 4

Fixture Assembly (Figures 6 & 7)

Component Parts

- R Hex Nut (2)
- S Diffuser
- T Lower Assembly
- U Shade
- V Thumb Screw with Washer and Hex Nut (2)
- W Fixture

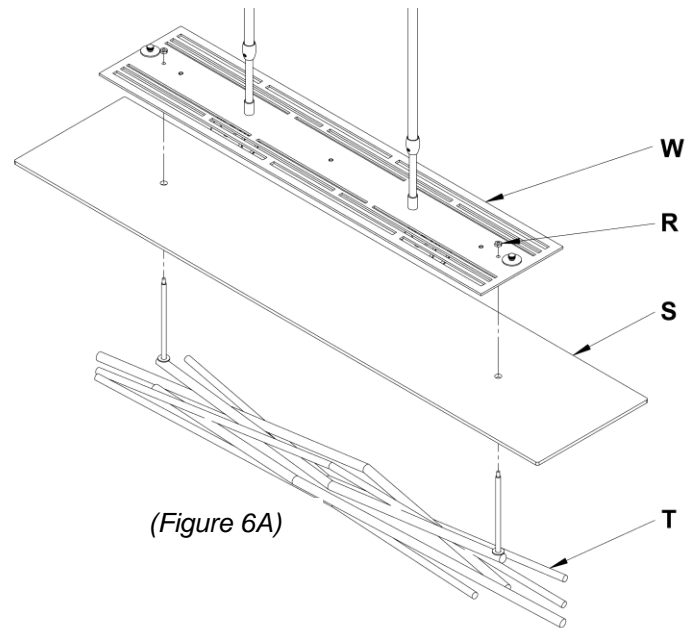
For 13-7660 refer to (Figure 6A).

For 13-7640 refer to (Figure 6B).

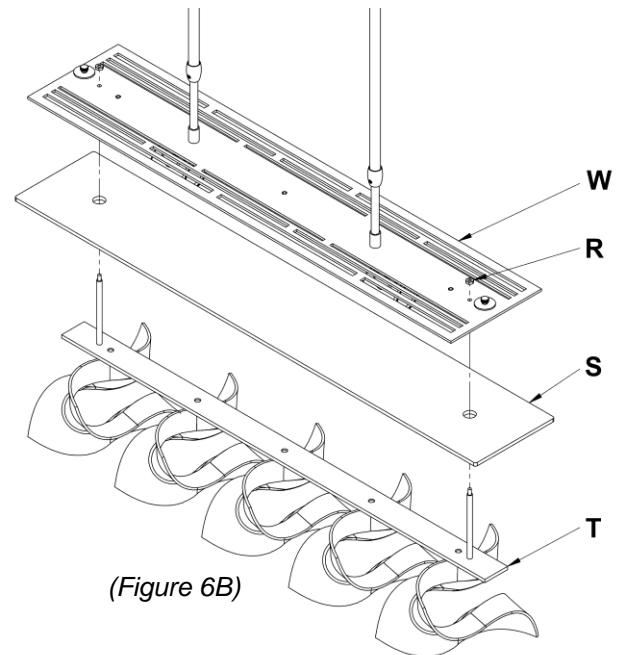
1. Slip diffuser (S) onto lower assembly (T).
2. Raise lower assembly (T) and diffuser (S) so the threaded studs pass through the top of the fixture (W). For 13-7660 refer to (Figure 6A). For 13-7640 refer to (Figure 6B).
3. Install two hex nuts (R) onto the threaded studs and tighten.
4. Install bulbs. (Not Included)

See Figure 7 for remaining steps.

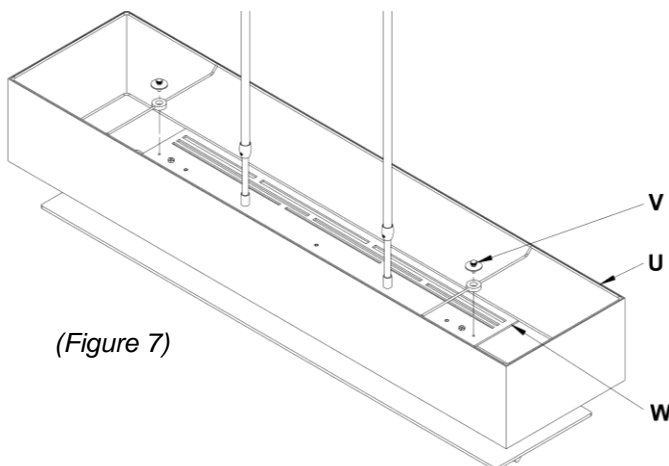
5. Remove thumb screw assembly (V) from top of fixture (W). Save for later use. *Thumb screws are shipped installed.*
6. Install shade (U) from the bottom and tilt so it will pass fixture (W). *It will be necessary to raise one side of the shade completely past the diffuser and over towards the canopy pipes as far as it will go to allow the other side of the shade to pass the diffuser.* Lower the shade so it rests on top of the fixture.
7. Secure the shade (U) with the thumb screws (V).
8. Restore electricity at main breaker.



(Figure 6A)



(Figure 6B)



(Figure 7)

If you need further assistance, or find that you are missing any parts, please contact the dealer from which you purchased this product. We hope you enjoy your fixture!

* Hubbardton Forge will not be liable for injury or damage caused by improper installation, lamping or use of this fixture.