

Installation Instructions

For Axis Sconce 20-6401

B205

Page 1 of 2

CAUTION: FAILURE TO INSTALL THIS FIXTURE PROPERLY MAY RESULT IN SERIOUS PERSONAL INJURY OR DEATH AND PROPERTY DAMAGE. We recommend installation by a licensed electrician.

This product must be installed in accordance with applicable installation code(s), by a person familiar with the construction and operation of the product and the hazards involved.*

Caution: Do not exceed maximum wattage noted on fixture. Use only recommended bulbs with fixture.

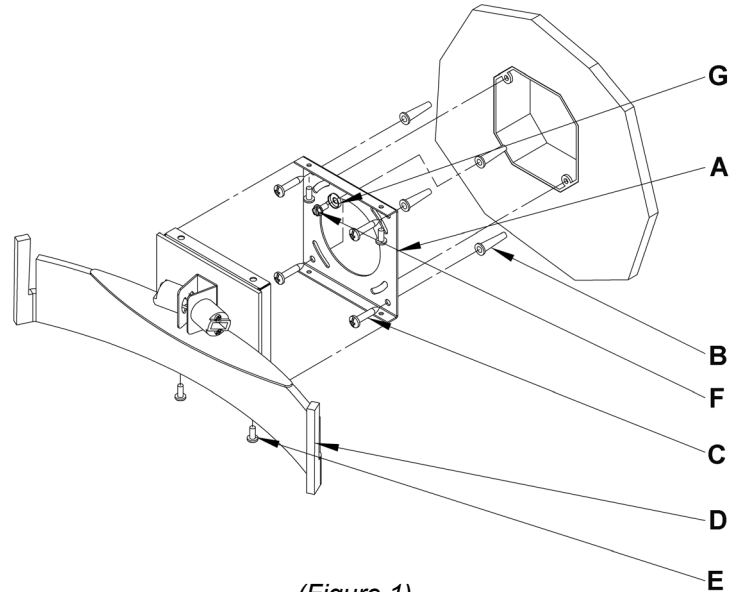
Please Note: This fixture is designed to be mounted on a standard wall surface and may not be suitable for all applications. If installing in a non-wood frame application, we recommend consulting a qualified builder or electrician.

After installation extra hardware and accessories are possible due to our kits are used on multiple products and options.

To Mount Fixture to Wall (Figure 1)

Component Parts

- A Wall Mount Bracket
- B Anchors
- C #10 Screws
- D Fixture Assembly
- E #8 Black Screws
- F Green Ground Screw
- G Cupped Washer



(Figure 1)

Caution: Be sure power is off at the main breaker box prior to installation.

1. Carefully unpack the fixture from the carton.
2. Center the wall mount bracket (A) over the electrical box being sure to hold it plum and level. If the wall mount bracket has a notch orient bracket with notch at the bottom.

With a pencil, mark the location of all mounting holes in the wall mount bracket on the wall behind.

IMPORTANT: Wall mount bracket must be secured to a solidly mounted electrical box and/or a framing member in at least two locations. Do not depend on drywall anchors alone to support this fixture. If in doubt, contact a qualified electrician.

Put the wall mount bracket down and drill 1/4" holes in the locations marked on the wall. For holes using anchors, place the tapered end of the anchors (B) into the holes and gently tap them flush to the wall using a light weight hammer.

3. Thread the wires in the electrical box through the center hole in the wall mount bracket (A) while moving the bracket into position. Using the 1" #10 screws (C), screw the bracket securely to the wall. Be careful not to over-tighten or strip the anchors.
4. Thread the black # 8 screws (E) up through the holes in the top of the wall mount bracket (A). Leave the bottom screws out for now.
5. Hold the fixture assembly (D) close to the wall mount bracket and using suitable wire connectors (not provided), connect fixture wires to supply wires (white to white or ribbed and black to black or smooth, and bare copper or green to bare copper or green). Ground the mounting bracket using the green ground screw (F) and cupped washer (G) to secure a pigtail lead to the bracket.
6. Carefully tuck all wires behind the fixture assembly and inside the wall mount bracket and place the fixture over the bracket so that the screws in the top of the wall bracket go through the holes in the top of the fixture. Secure the fixture by threading the remaining black #8 screws up through the holes in the bottom of the fixture and into the mounting bracket.

Caution: Make sure wire connectors are twisted on securely, and no bare wires are exposed.

(continued)

Installation Instructions

For Axis Sconce 20-6401

B205

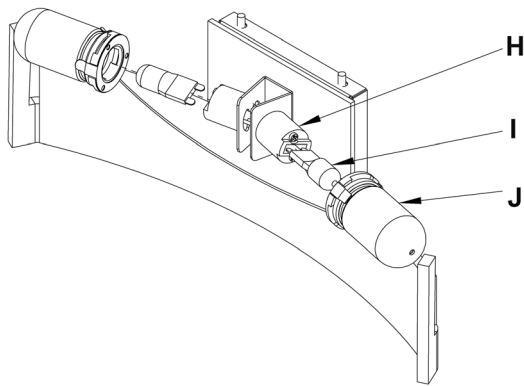
Page 2 of 2

To Install Bulb and Front Panel (Figures 2 & 3)

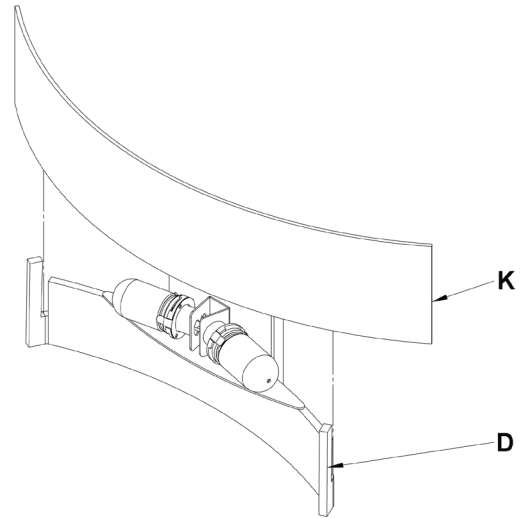
Component Parts

- D Fixture Assembly
- H Socket
- I Bulb (Included)
- J Bulb Shield
- K Front Plate (12-6401 is glass, 12-6403 is a forged plate)

1. Install light bulbs (I). *Be careful not to touch bulb with bare hands; oil from the hands will dramatically reduce bulb life.*
2. Thread bulb shield (J) onto socket (H) (bulb shield will only thread on 3 to 4 threads). Future bulb changes may be accomplished by snapping glass portion of barrier on and off rather than unthreading the holder.
3. Slip plate or glass (K) into tabs of fixture assembly (D) aligned so equal amounts protrude on both sides.



(Figure 2)



(Figure 3)

If you need further assistance, or find that you are missing any parts, please contact the dealer from which you purchased this product. We hope you enjoy your fixture!

* Hubbardton Forge will not be liable for injury or damage caused by improper installation, lamping or use of this fixture.