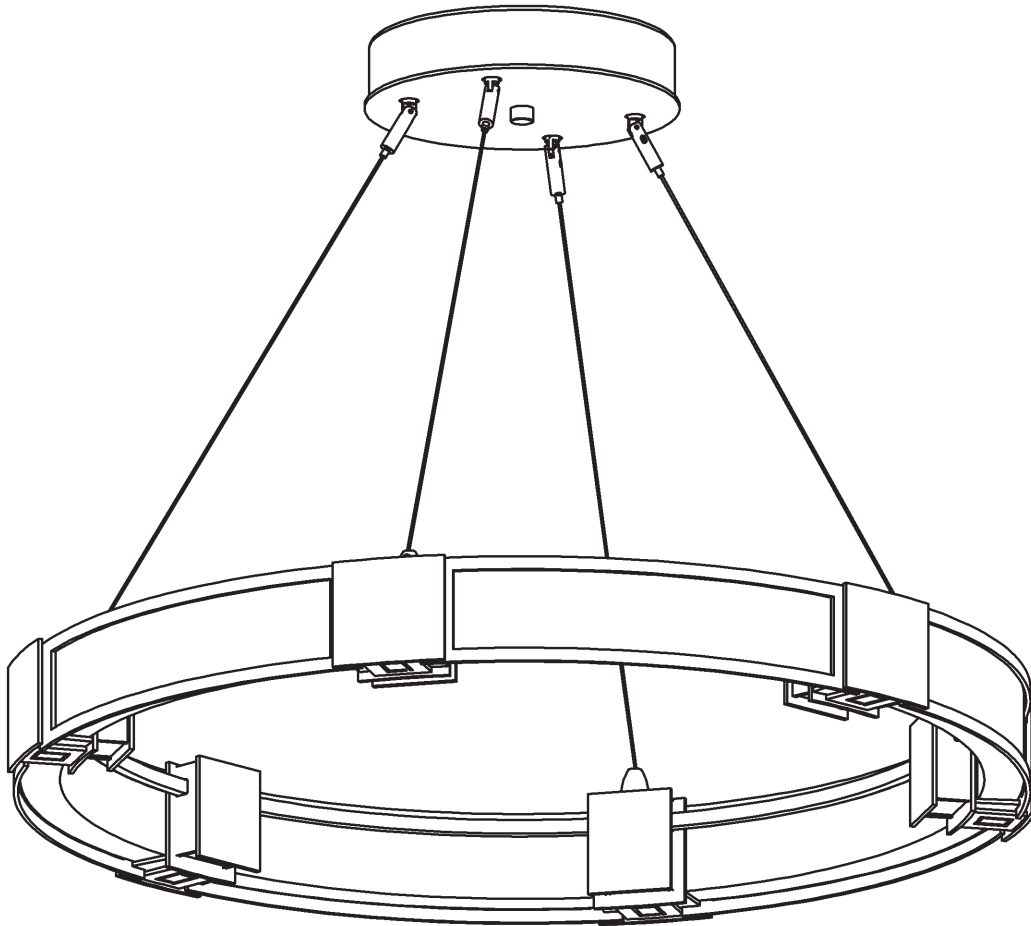


ASSEMBLY & INSTALLATION INSTRUCTIONS

Aura Pendant 138588

A771



HUBBARDTON FORGE.

MODERN AMERICAN BLACKSMITHS | FINE, HAND CRAFTED LIGHTING
CASTLETON, VERMONT USA | HUBBARDTONFORGE.COM

Component Parts

A	Canopy
B	Canopy Cover Plate
C	Cap
D	Nut
E	Lag Screw (4)
F	Fixture
G	Gripper (4)
H	Supply/Support Cable (4)
I	#8 Screws (2)
J	Flat Head Screw (6)
K	Bulb Cover assembly (6)
L	Bulb (supplied) (6)
M	Socket (6)
N	Glass (6)



Aura Pendant 138588

CAUTION: FAILURE TO INSTALL THIS FIXTURE PROPERLY MAY RESULT IN SERIOUS PERSONAL INJURY OR DEATH AND PROPERTY DAMAGE. We recommend installation by a licensed electrician. This product must be installed in accordance with applicable installation code(s), by a person familiar with the construction and operation of the product and the hazards involved.*

Caution: Do not exceed maximum wattage noted on fixture. Use only recommended bulbs with fixture.

Please Note: After installation extra hardware and accessories are possible due to our kits are used on multiple products and options.

To Install Canopy (Figure 1)

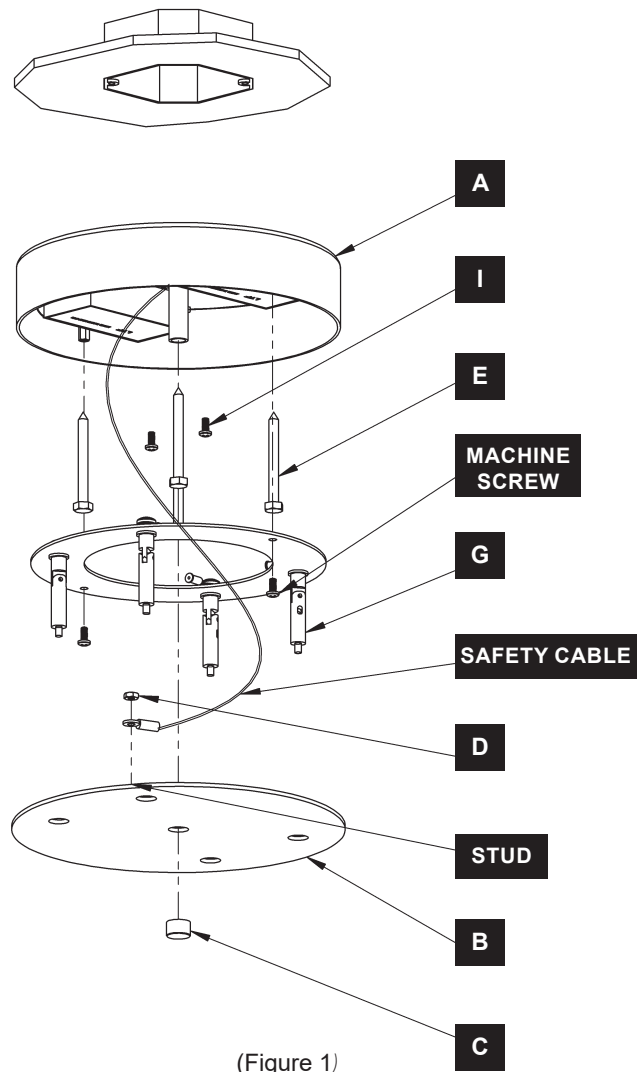
CAUTION: BE SURE POWER IS OFF AT THE MAIN BREAKER BOX PRIOR TO INSTALLATION.

1. Carefully unpack the fixture from the carton.
2. Locate canopy assembly (A). Remove cap (C) and canopy cover plate (B) and set aside for use later.
3. To attach canopy (A) directly to the junction box: Thread the wires in the electrical box through the hole in the canopy (A) while moving the canopy into position. Using two machine screws (not provided) fasten canopy (A) to the electric box.
4. Using the four lag screws (E) secure canopy (A) to a structural member in the ceiling. We've supplied lag screws (E) with your fixture; however, different materials and/or construction methods may require different fasteners. If in doubt, contact a qualified electrician.

Note: A new electric box comes with screws. When replacing a fixture, retain the existing screws for use with the new fixture.

5. Remove nut (D) from stud on canopy cover plate (B). Slide end of safety cable over stud and reattach nut (D). The safety cable also acts as ground for the canopy cover plate (B)
6. Using suitable wire connectors (not provided) connect transformer wires to supply wires (white to white and black to black). Connect all ground wires (bare copper or green to bare copper or green) together
7. To secure gripper plate use the supplied #8 screws into matching standoffs.
8. Reinstall canopy cover plate (B) making sure the (+) and (-) labels on the cover are aligned with the labels on the canopy (A). Secure in place with cap (C).

CAUTION: MAKE SURE WIRE CONNECTORS ARE TWISTED ON SECURELY, AND NO BARE WIRE IS EXPOSED.



(Figure 1)

Aura Pendant 138588

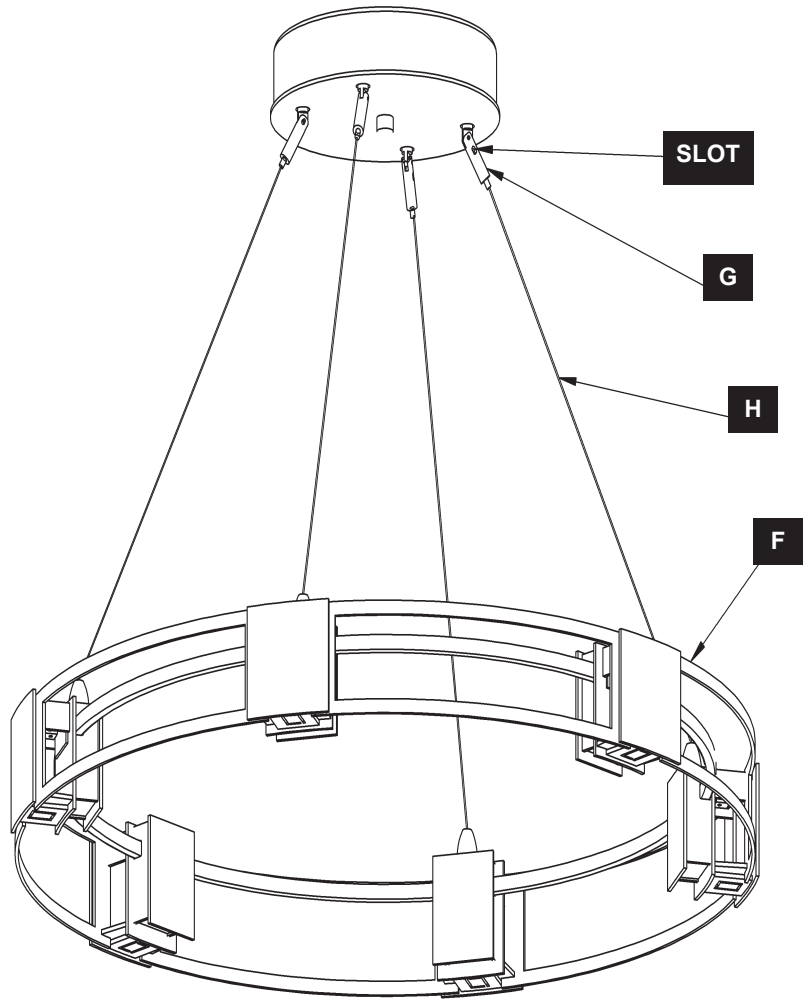
To Complete Installation *(Figure 3)*

1. Align (+) and (-) labels on fixture (F) with (+) and (-) labels on canopy.
 2. Insert cable (H) into gripper (G) until cable sticks through the slot in the side of the gripper (G).
 3. Repeat with remaining cables (H).
 4. Continue pulling cables (H) through grippers (G) until correct fixture height is achieved. Adjust height of fixture (F), making sure to keep fixture level.
5. Once desired height of the fixture (F) is achieved, cut off the excess cable (H) as close to the gripper (G) as possible.

Note: If fixture needs to be lowered, push up on the gripper plunger to release cable.

CAUTION: BE SURE THAT NO PIECE OF THE SUPPORT CABLE IS TOUCHING THE FIXTURE

CAUTION: ONCE EXCESS CABLE IS CUT, FIXTURE CANNOT BE LOWERED

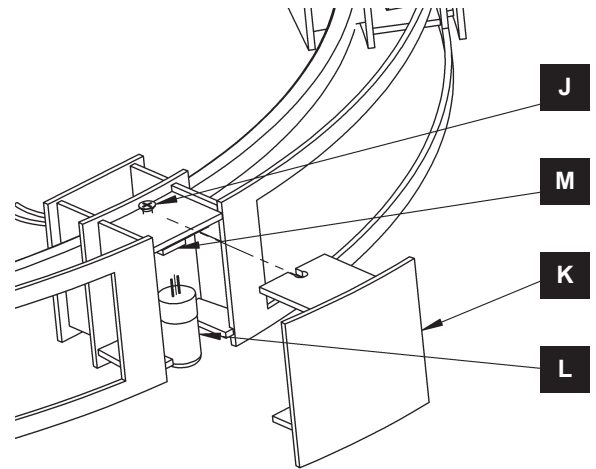


(Figure 2)

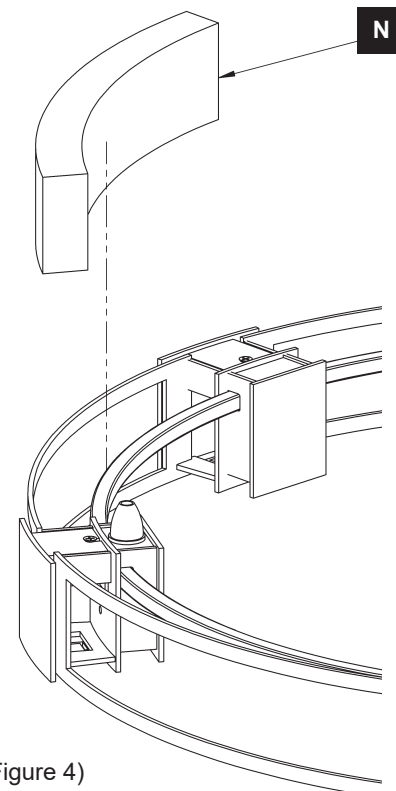
Aura Pendant 138588

To Install Bulb & Glass *(Figure 3 & Figure 4)*

1. Loosen flat head screw (J) and slip bulb cover assembly (K) from fixture. (Figure 3)
2. Install bulb (L) (supplied).
3. Install bulb cover assembly (K) and tighten flat head screw (J).
4. Repeat steps for all bulb locations.
5. Slip glass (N) into slots in fixture between bulb locations. (Figure 4)
6. Repeat for all remaining glass.
7. Restore electricity at the main breaker.



(Figure 3)



(Figure 4)

If you need further assistance, or find that you are missing any parts, please contact the dealer from which you purchased this product. We hope you enjoy your fixture! ** Vermont Modern / Hubbardton Forge will not be liable for injury or damage caused by improper installation, lamping or use of this fixture.*