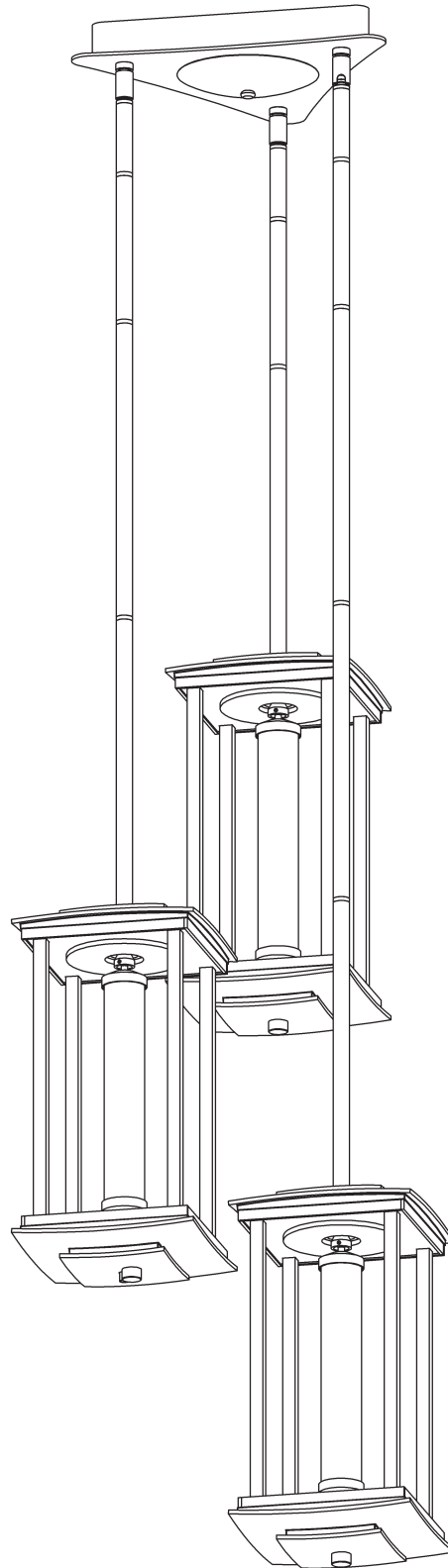


ASSEMBLY & INSTALLATION INSTRUCTIONS

A910

Athena LED Triple Pendant Short 131635



HUBBARDTON FORGE.

MODERN AMERICAN BLACKSMITHS | FINE, HAND CRAFTED LIGHTING
CASTLETON, VERMONT USA | HUBBARDTONFORGE.COM

Component Parts

A Canopy	M 6" Fixture Pipe (3)
B Canopy Cover	N 12" Fixture Pipe (9)
C Mounting Bracket	O Stem Couplings (12)
D Canopy Nipple	P Hex Nipple (3)
E Knob	Q Lock Washer (3)
F #8 Screw (2)	R Driver
G Standoff (2)	S Fixture (3)
H Knurled Stud (2)	T LED Glass Assembly (3)
I Ground Screw	U Ball (6)
J Cupped washer	V Cap (6)
K Swivel (3)	W Set Screw (6)
L 3" Fixture Pipe (3)	



ASSEMBLY & INSTALLATION INSTRUCTIONS

A910

Athena LED Triple Pendant Short 131635

CAUTION: FAILURE TO INSTALL THIS FIXTURE PROPERLY MAY RESULT IN SERIOUS PERSONAL INJURY OR DEATH AND PROPERTY DAMAGE. We recommend installation by a licensed electrician. This product must be installed in accordance with applicable installation code(s), by a person familiar with the construction and operation of the product and the hazards involved.*

Caution: Do not exceed maximum wattage noted on fixture. Use only recommended bulbs with fixture.

Please Note: After installation extra hardware and accessories are possible due to our kits are used on multiple products and options.

To Install Fixture (Figure 1 & 2) on following page

CAUTION: BE SURE POWER IS OFF AT THE MAIN BREAKER BOX PRIOR TO INSTALLATION.

1. Carefully unpack the fixtures (S) and canopy (A) from the carton.
2. Knob (E) and canopy cover (B) are shipped installed. Remove from canopy nipple (D) and set aside for later use.
3. Thread two # 8 screws (F) into the appropriate holes in the mounting bracket (C) that align with canopy (A) and desired orientation.
4. Thread standoffs (G) on to # 8 screws (F) and tighten.
5. Using two machine screws (not provided) attach mounting bracket (C) to the electric box using outer oval holes to orient fixture.

NOTE: A NEW ELECTRIC BOX COMES WITH SCREWS. WHEN REPLACING A FIXTURE, RETAIN THE EXISTING SCREWS FOR USE WITH THE NEW FIXTURE.

6. Locate fixture pipes (L,M,N), fixtures (S), stem couplings (O). Stem couplings (O) can be found in the kit bag.
7. Provided are multiple fixture pipes in three different lengths. Choose the combination that will achieve the overall height desired. Refer to the table below to determine the pipes required to reach the desired overall height. Once you have determined the components necessary, feed the wires that exit fixtures (S) through the individual components. Wires will slip easier through loose components than through pipes and couplings that are pre-assembled. Once wires are run, apply thread locking compound to all the connection points and assemble the pipes and couplings.

		Overall Height of Fixture														
		20.8	23.8	26.8	29.8	32.8	35.8	38.8	41.8	44.8	47.8	50.8	53.8	56.8	59.8	62.8
# of Pipes Required	3" Pipe (L)	1		1		1		1		1		1		1		1
	6" Pipe (M)		1	1			1	1			1	1			1	1
	12" Pipe (N)				1	1	1	1	2	2	2	2	3	3	3	3

NOTE: APPLICATION OF THE THREAD LOCKING COMPOUND IS NECESSARY TO PREVENT THE PIPE FROM LOOSENING DURING REGULAR MAINTENANCE AND CLEANING OF THE FIXTURE. BE CERTAIN TO APPLY THE COMPOUND.

8. Slip wires from the fixture (S) through swivel (K) found in kit bag and thread swivel (K) into fixture pipe.
9. Locate swivel (K) over open hole in canopy (A). Slip wires through canopy (A), lock washer (Q) and hex nipple (P) and secure by threading hex nipple (P) into swivel (K).
10. Repeat steps 7-9 for remaining fixtures.
11. Install studs into knurled balls to make two knurled studs (H).
12. Lift fixture canopy (A) with fixtures attached, align standoffs (G) with holes in canopy (A) and push firmly to ceiling making sure no wires are pinched between fixture canopy and ceiling. Fasten with knurled studs (H).
13. Follow instructions on following page to continue install.

ASSEMBLY & INSTALLATION INSTRUCTIONS

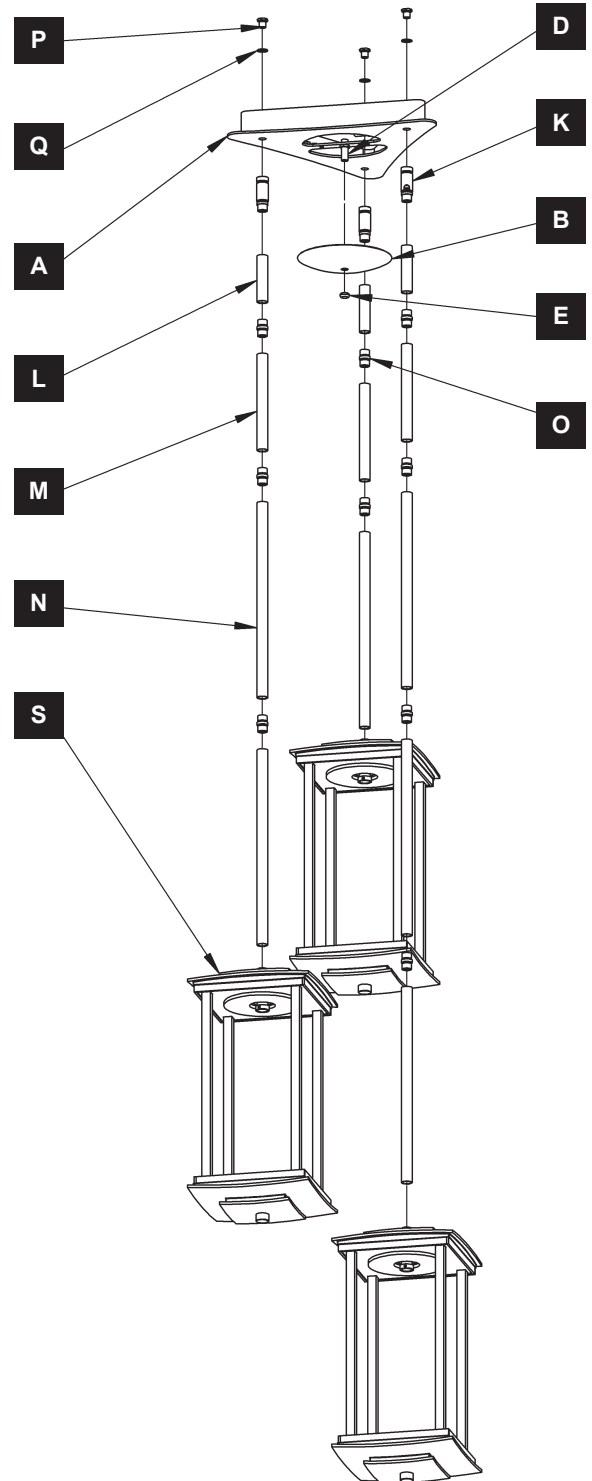
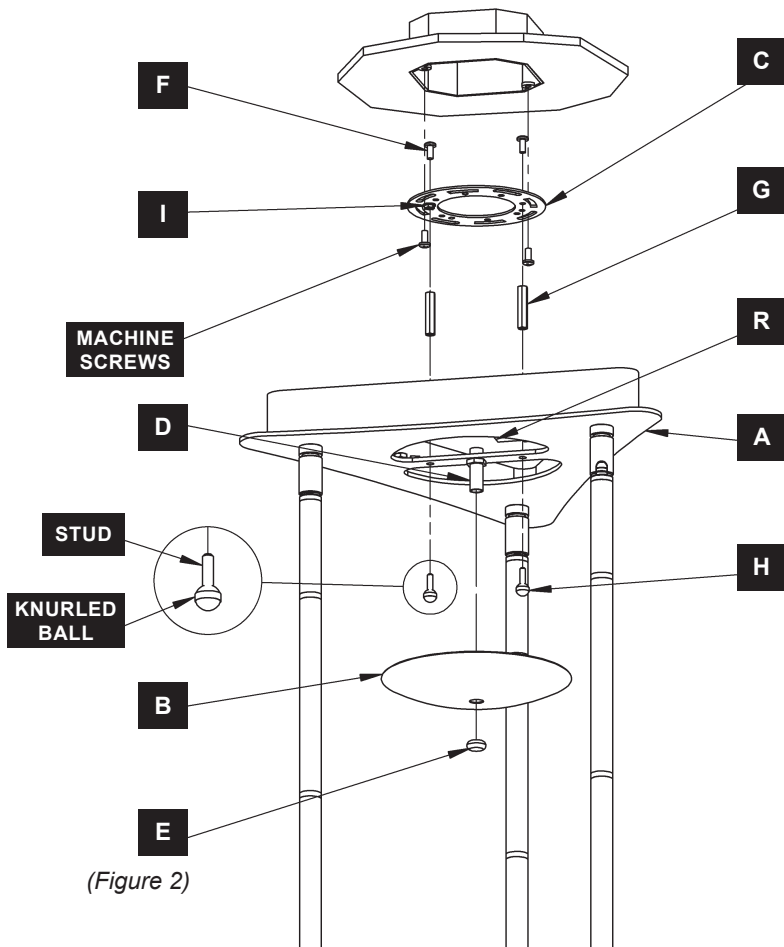
A910

Athena LED Triple Pendant Short 131635

14. Using suitable wire connectors (not provided) connect driver (R) wires to supply (white to white and black to black). Run a pigtail lead from ground screw (I) and cupped washer (J) to the junction box and connect all ground wires (bare copper or green to bare copper or green). Ground screw (I) and cupped washer (J) can be found in kit bag.

CAUTION: MAKE SURE WIRE CONNECTORS ARE TWISTED ON SECURELY, AND NO BARE WIRE IS EXPOSED.

15. Using provided wire connectors attached to driver (R), connect fixture wires to driver (R) (blue to blue and red to red), tuck wires up into canopy (A).
16. Install canopy cover (B) on canopy nipple (D).
17. Thread knob (E) on to canopy nipple (D). Tighten against canopy cover (B) until snug. Be sure nipple (D) is fully seated in knob (E).
18. Follow instructions on following page to install remaining fixtures.



(Figure 1)

ASSEMBLY & INSTALLATION INSTRUCTIONS

A910

Athena LED Triple Pendant Short 131635

To Install LED Assembly (Figure 3)

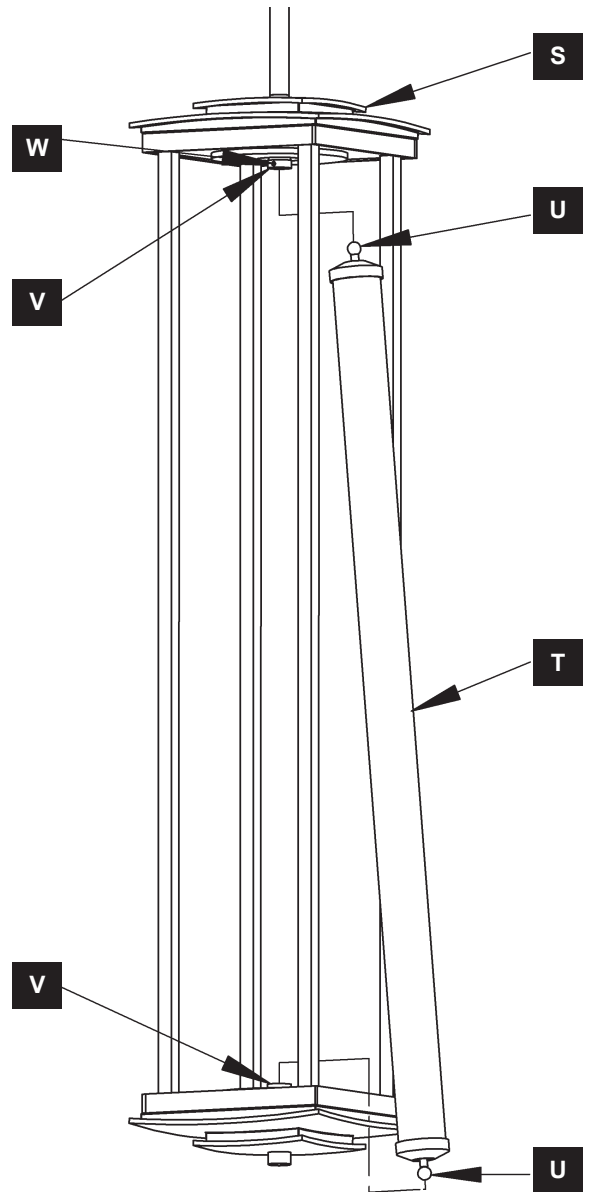
1. Carefully unpack LED glass assembly (T).
2. Locate negative (-) labels on LED glass assembly (T) and fixture (S).
3. Caps (V) are mounted on springs.
4. Place (-) ball (U) on end of LED glass assembly (T) into (-) cap (V). Press down to compress the spring, while tilting LED assembly (T) into place aligning with cap (V).

NOTE: It may be necessary to push up on cap (V)

5. Slowly let up on LED assembly (T) until it nestles into other cap (V).
6. Be sure LED assembly (T) is secure in both caps (V) before letting go.
7. Tighten set screws (W) in caps (V) to hold LED assembly (T) in place and ensure adequate electrical connections.

CAUTION: IF SET SCREWS ARE NOT TIGHTENED, FIXTURE MAY NOT FUNCTION AND/OR COULD FLICKER. BE SURE TO TIGHTEN SET SCREWS IN CAPS AFTER LED ASSEMBLY IS IN PLACE.

8. Repeat for remaining LED assemblies (T).
9. Restore electricity at main breaker.



(Figure 3)

If you need further assistance, or find that you are missing any parts, please contact the dealer from which you purchased this product. We hope you enjoy your fixture!

* Hubbardton Forge will not be liable for injury or damage caused by improper installation, lamping or use of this fixture.



HUBBARDTON FORGE.

MODERN AMERICAN BLACKSMITHS | FINE, HAND CRAFTED LIGHTING
CASTLETON, VERMONT USA | HUBBARDTONFORGE.COM

51508

5 OF 5