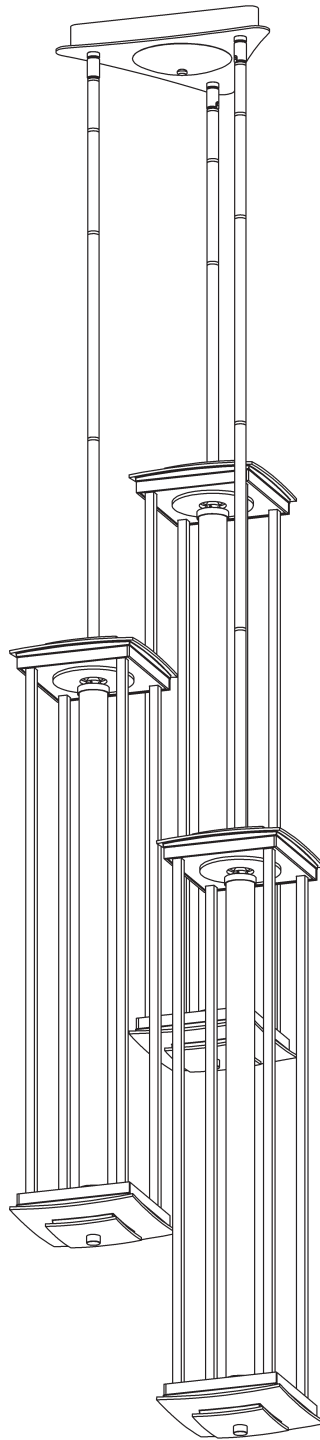


# ASSEMBLY & INSTALLATION INSTRUCTIONS

A897

Athena LED Triple Pendant Large 131634

---



HUBBARDTON FORGE.

MODERN AMERICAN BLACKSMITHS | FINE, HAND CRAFTED LIGHTING  
CASTLETON, VERMONT USA | HUBBARDTONFORGE.COM

51486 Rev A

1 OF 6

## Component Parts

<b>A Canopy</b>	<b>M 3" Fixture Pipe (3)</b>
<b>B Canopy Cover</b>	<b>N 6" Fixture Pipe (3)</b>
<b>C Mounting Bracket</b>	<b>O 12" Fixture Pipe (9)</b>
<b>D Canopy Nipple</b>	<b>P Stem Couplings (12)</b>
<b>E Knob</b>	<b>Q Hex Nipple</b>
<b>F #8 Screw (2)</b>	<b>R Lock Washer</b>
<b>G Standoff (2)</b>	<b>S Driver</b>
<b>H Knurled Stud (2)</b>	<b>T Fixture (3)</b>
<b>I Ground Screw</b>	<b>U LED Glass Assembly (3)</b>
<b>J Cupped washer</b>	<b>V Ball (6)</b>
<b>K #10 Screws (3)</b>	<b>W Cap (6)</b>
<b>L Swivel (3)</b>	<b>X Set Screw (6)</b>



# ASSEMBLY & INSTALLATION INSTRUCTIONS

A897

## Athena LED Triple Pendant Large 131634

**CAUTION: FAILURE TO INSTALL THIS FIXTURE PROPERLY MAY RESULT IN SERIOUS PERSONAL INJURY OR DEATH AND PROPERTY DAMAGE.** We recommend installation by a licensed electrician. This product must be installed in accordance with applicable installation code(s), by a person familiar with the construction and operation of the product and the hazards involved.\*

Caution: Do not exceed maximum wattage noted on fixture. Use only recommended bulbs with fixture.

Please Note: After installation extra hardware and accessories are possible due to our kits are used on multiple products and options.

### To Install Fixture (Figure 1) on following page

**CAUTION: BE SURE POWER IS OFF AT THE MAIN BREAKER BOX PRIOR TO INSTALLATION.**

1. Carefully unpack the fixtures (S) and canopy (A) from the carton.
2. Knob (E) and canopy cover (B) are shipped installed. Remove from canopy nipple (D) and set aside for later use.
3. Thread two # 8 screws (F) into the appropriate holes in the mounting bracket (C) that align with canopy (A) and desired orientation.
4. Thread standoffs (G) on to # 8 screws (F) and tighten.
5. Using two machine screws (not provided) attach mounting bracket (C) to the electric box using outer oval holes to orient fixture.

**NOTE: A NEW ELECTRIC BOX COMES WITH SCREWS. WHEN REPLACING A FIXTURE, RETAIN THE EXISTING SCREWS FOR USE WITH THE NEW FIXTURE.**

6. Using wood screws (K), attach mounting bracket (C) to a structural member in the ceiling.

**NOTE: WOOD SCREWS ARE SUPPLIED WITH YOUR FIXTURE; HOWEVER, DIFFERENT MATERIALS AND/OR CONSTRUCTION METHODS MAY REQUIRE DIFFERENT FASTENERS. IF IN DOUBT, CONTACT A QUALIFIED ELECTRICIAN.**

**CAUTION: DO NOT RELY ON ELECTRICAL BOX ALONE TO SUSPEND FIXTURE. FIXTURE MUST BE ATTACHED TO A STRUCTURAL MEMBER IN THE CEILING.**

**CAUTION: INSTALLER MUST ENSURE THAT THE MOUNTING METHOD IS CAPABLE OF SUPPORTING THE WEIGHT OF THE FIXTURE.**

7. Locate fixture pipes (M,N,O), fixtures (S), stem couplings (O). Stem couplings (O) can be found in the kit bag.
8. Provided are multiple fixture pipes in three different lengths. Choose the combination that will achieve the overall height desired. Refer to the table below to determine the pipes required to reach the desired overall height. Once you have determined the components necessary, feed the wires that exit fixtures (S) through the individual components. Wires will slip easier through loose components than through pipes and couplings that are pre-assembled. Once wires are run, apply thread locking compound to all the connection points and assemble the pipes and couplings.

		Overall Height of Fixture														
		41.2	44.2	47.2	50.2	53.2	56.2	59.2	62.2	65.2	68.2	71.2	74.2	77.2	80.2	83.2
# of Pipes Required	3" Pipe (M)	1		1		1		1		1		1		1		1
	6" Pipe (N)		1	1			1	1			1	1			1	1
	12" Pipe (O)				1	1	1	1	2	2	2	2	3	3	3	3

**NOTE: APPLICATION OF THE THREAD LOCKING COMPOUND IS NECESSARY TO PREVENT THE PIPE FROM LOOSENING DURING REGULAR MAINTENANCE AND CLEANING OF THE FIXTURE. BE CERTAIN TO APPLY THE COMPOUND.**

# ASSEMBLY & INSTALLATION INSTRUCTIONS

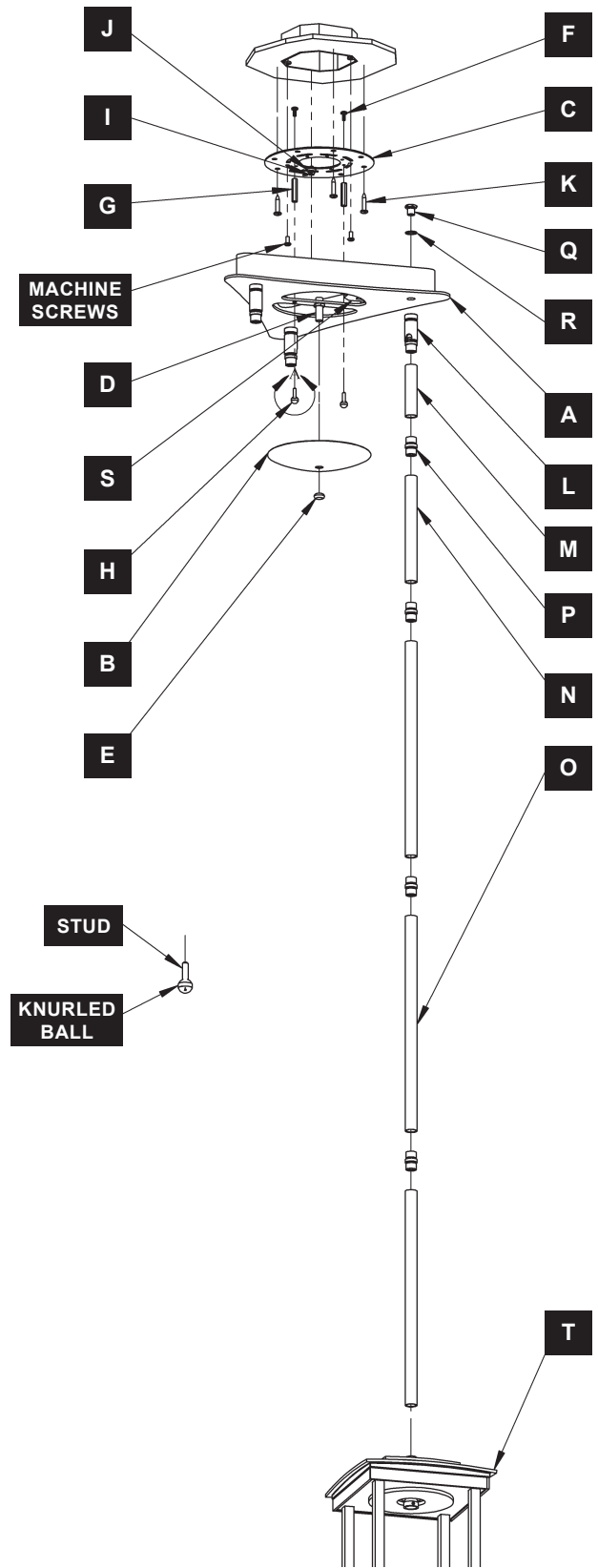
A897

## Athena LED Triple Pendant Large 131634

9. Follow instructions on following page to continue install.
10. Slip wires from the fixture (S) through swivel (K) found in kit bag and thread swivel (K) into fixture pipe.
11. Locate swivel (K) over open hole in canopy (A) closest to driver (R). Slip wires through canopy (A), lock washer (Q) and hex nut (S) into fixture pipe. **NOTE: ENSURE THAT SWIVEL (K) WITH FIXTURE (S) PRE-ATTACHED IS INSTALLED IN HOLE CLOSEST TO DRIVER (R).**

12. Install studs into knurled balls to make two knurled studs (H).
13. Lift fixture canopy (A) with one fixture attached, align standoffs (G) with holes in canopy (A) and push firmly to ceiling making sure no wires are pinched between fixture canopy and ceiling. Fasten with knurled studs (H).
14. Using suitable wire connectors (not provided) connect driver (S) wires to supply (white to white and black to black). Run a pigtail lead from ground screw (I) and cupped washer (J) to the junction box and connect a ground wire (bare copper or green to bare copper or green). Ground screw (I) and cupped washer (J) can be found in kit bag.

15. Follow instructions on following page to install remaining fixtures.

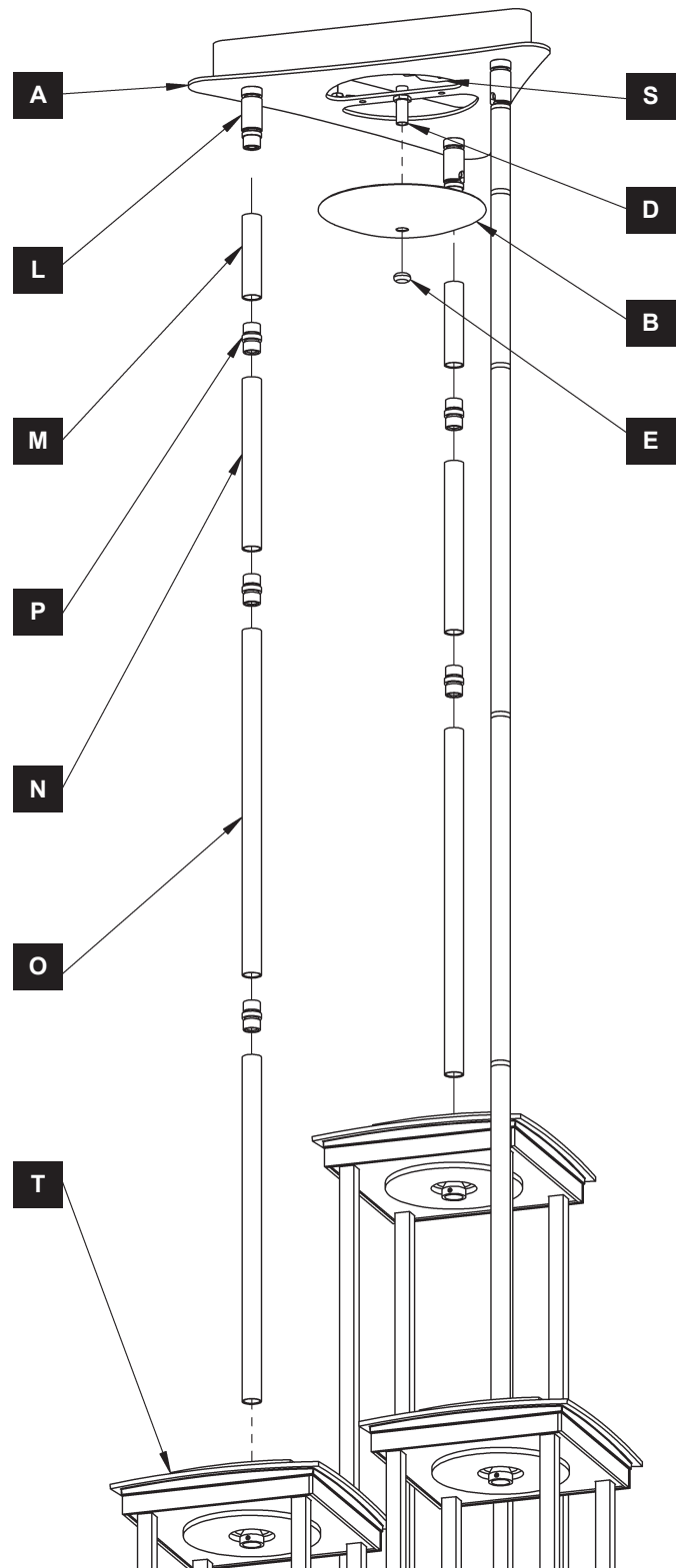


(Figure 1)

## Athena LED Triple Pendant Large 131634

### To Install Remaining Fixtures (Figure 2)

1. Locate fixture pipes (M,N,O), fixtures (S), stem couplings (O). Stem couplings (O) can be found in the kit bag.
2. Provided are multiple fixture pipes in three different lengths. Choose the combination that will achieve the overall height desired. Once you have determined the components necessary, feed the wires that exit fixtures (S) through the individual components. Wires will slip easier through loose components than through pipes and couplings that are pre-assembled. Once wires are run, apply thread locking compound to all the connection points and assemble the pipes and couplings.
3. Slip wires from the fixture (S) through swivel (K) and out the center hole in canopy (A) and secure by threading fixture pipe onto swivel (K).
4. Repeat for final fixture (S).
5. Using provided wire connectors attached to driver (R), connect fixture wires to driver (R) (blue to blue and red to red), tuck wires up into canopy (A).
6. Install canopy cover (B) on canopy nipple (D).
7. Thread knob (E) on to canopy nipple (D). Tighten against canopy cover (B) until snug. Be sure nipple (D) is fully seated in knob (E).



(Figure 2)

## Athena LED Triple Pendant Large 131634

### To Install LED Assembly *(Figure 3)*

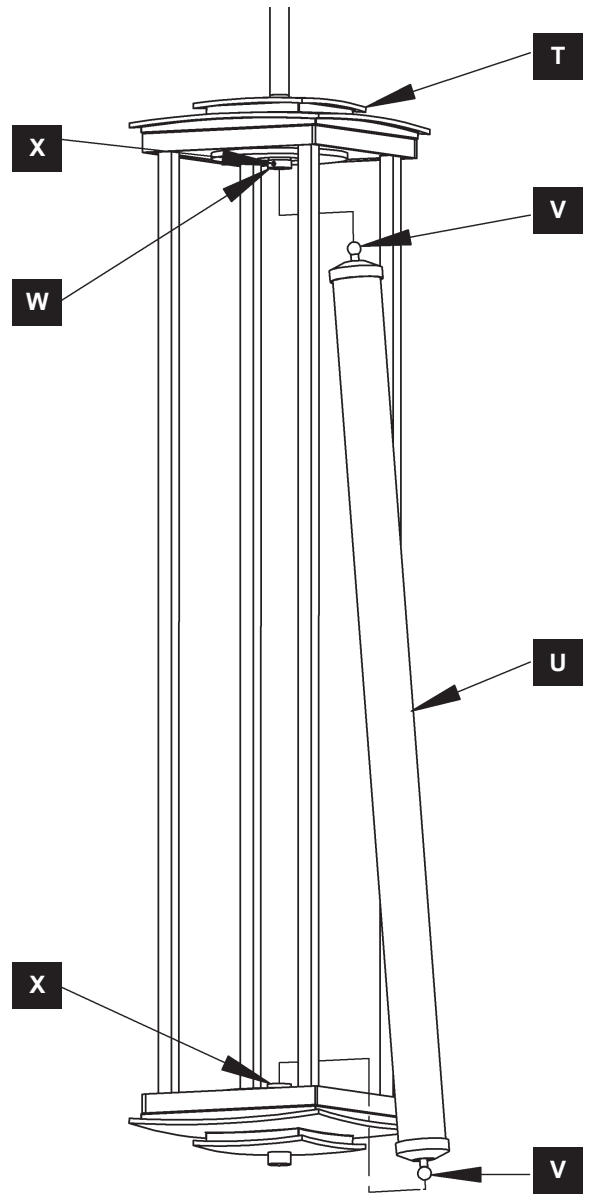
1. Carefully unpack LED glass assembly (T).
2. Locate negative (-) labels on LED glass assembly (T) and fixture (S).
3. Caps (V) are mounted on springs.
4. Place (-) ball (U) on end of LED glass assembly (T) into (-) cap (V). Press down to compress the spring, while tilting LED assembly (T) into place aligning with cap (V).

**NOTE:** *It may be necessary to push up on cap (V)*

5. Slowly let up on LED assembly (T) until it nestles into other cap (V).
6. Be sure LED assembly (T) is secure in both caps (V) before letting go.
7. Tighten set screws (W) in caps (V) to hold LED assembly (T) in place and ensure adequate electrical connections.

**CAUTION: IF SET SCREWS ARE NOT TIGHTENED, FIXTURE MAY NOT FUNCTION AND/OR COULD FLICKER. BE SURE TO TIGHTEN SET SCREWS IN CAPS AFTER LED ASSEMBLY IS IN PLACE.**

8. Repeat for remaining LED assemblies (T).
9. Restore electricity at main breaker.



*(Figure 3)*

If you need further assistance, or find that you are missing any parts, please contact the dealer from which you purchased this product. We hope you enjoy your fixture!

*\* Hubbardton Forge will not be liable for injury or damage caused by improper installation, lamping or use of this fixture.*