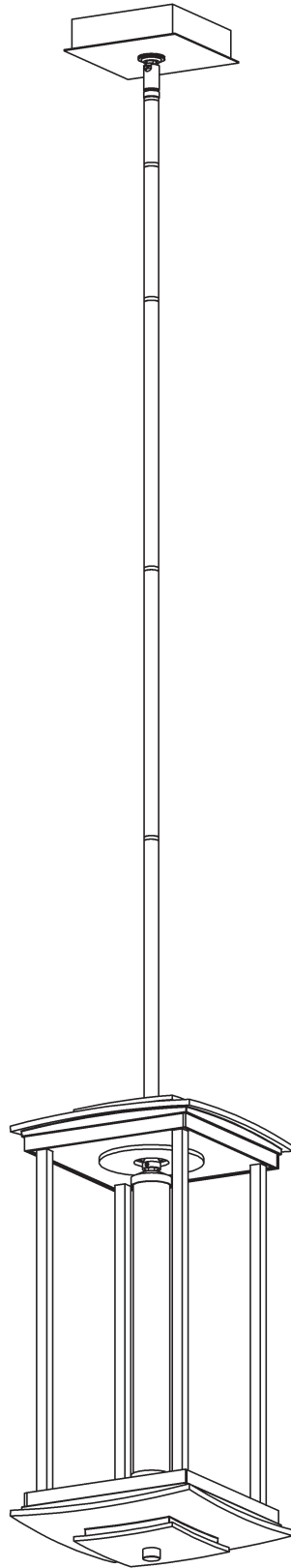


ASSEMBLY & INSTALLATION INSTRUCTIONS

A878

Athena LED Pendant Medium131631



HUBBARDTON FORGE.

MODERN AMERICAN BLACKSMITHS | FINE, HAND CRAFTED LIGHTING
CASTLETON, VERMONT USA | HUBBARDTONFORGE.COM

Component Parts

- A Fixture**
- B Crossbar**
- C Jam Nut**
- D Threaded Nipple**
- E Ground Screw**
- F Canopy Ring**
- G Canopy**
- H Swivel**
- I 3" Fixture Pipe (1)**
- J 6" Fixture Pipe (1)**
- K 12" Fixture Pipe (3)**
- L Stem Coupling Double (4)**
- M Stem Coupling Single (2)**
- N Canopy Coupling**
- O LED Glass Assembly**
- P Ball (2)**
- Q Cap (2)**
- R Set Screw (2)**



ASSEMBLY & INSTALLATION INSTRUCTIONS

A878

Athena LED Pendant Medium131631

CAUTION: FAILURE TO INSTALL THIS FIXTURE PROPERLY MAY RESULT IN SERIOUS PERSONAL INJURY OR DEATH AND PROPERTY DAMAGE. We recommend installation by a licensed electrician. This product must be installed in accordance with applicable installation code(s), by a person familiar with the construction and operation of the product and the hazards involved.*

Caution: Do not exceed maximum wattage noted on fixture. Use only recommended bulbs with fixture.

Please Note: After installation extra hardware and accessories are possible due to our kits are used on multiple products and options.

To Install Fixture (Figure 1) on following page

CAUTION: BE SURE POWER IS OFF AT THE MAIN BREAKER BOX PRIOR TO INSTALLATION.

1. Carefully unpack fixture (A) from the carton.
2. Thread jam nut (C) and crossbar (B) onto threaded nipple (D) with ground screw (E) facing towards swivel (H); leave both parts loose.
3. Using two machine screws (not provided), temporarily fasten crossbar (B) to the electric box.

NOTE: A NEW ELECTRIC BOX COMES WITH SCREWS. WHEN REPLACING A FIXTURE, RETAIN THE EXISTING SCREWS FOR USE WITH THE NEW FIXTURE.

4. Adjust the length of threaded nipple (D) in crossbar (B) so that canopy ring (F) will hold canopy (G) against the ceiling with no threads showing for best appearance. When the correct adjustment is established, tighten jam nut (C) against crossbar (B) to secure the adjustment.
5. Remove crossbar (B) from the electrical box and proceed with the assembly instructions.
6. Locate fixture pipes (I, J, K), fixture (A), stem couplings (L & M) . Stem couplings (L) can be found in the kit bag.
7. Provided are multiple fixture pipes in three different lengths. Choose the combination that will achieve the overall height desired. Refer to the table below to determine the pipes required to reach the desired overall height. Once you have determined the components necessary, feed the wires that exit fixture (A) through the individual components and thread pipes and couplings together. Wires will slip easier through loose components than through pipes and couplings that are pre-assembled. Once wires are run, apply thread locking compound to all the connection points and assemble the pipes and couplings.

		Overall Height of Fixture															
		23.4	26.4	29.4	32.4	35.4	38.4	41.4	44.4	47.4	50.4	53.4	56.4	59.4	62.4	65.4	68.4
# of Pipes Required	3" Pipe (I)		1		1		1		1		1		1		1		1
	6" Pipe (J)			1	1			1	1			1	1			1	1
	12" Pipe (K)					1	1	1	1	2	2	2	2	3	3	3	3

NOTE: APPLICATION OF THE THREAD LOCKING COMPOUND IS NECESSARY TO PREVENT THE PIPE FROM LOOSENING DURING REGULAR MAINTENANCE AND CLEANING OF THE FIXTURE. BE CERTAIN TO APPLY THE COMPOUND.

8. Carefully slide canopy ring (F) and canopy (G) over wires and fixture pipes (I, J, K) until they rest on fixture (A).
9. Slip wires from the fixture (A) through assembled swivel (H) and threaded nipple (D).

ASSEMBLY & INSTALLATION INSTRUCTIONS

A878

Athena LED Pendant Medium131631

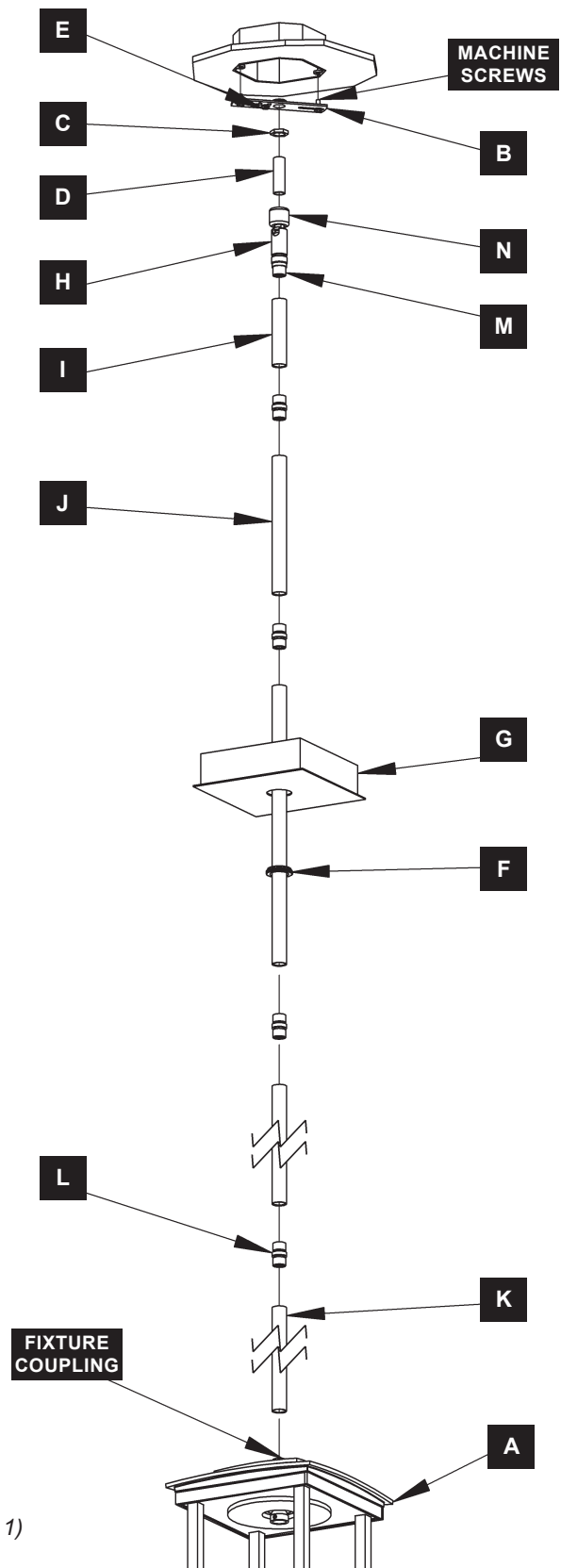
- Using two machine screws (not provided), fasten crossbar (B) to the electric box. (Figure 1)
- Using suitable wire connectors (not provided) connect fixture wires to supply (white/ribbed to white and black/smooth to black). Attach a pigtail lead to crossbar ground screw (E). Hold canopy (G) close, connect all ground wires (bare copper or green to bare copper or green).

CAUTION: MAKE SURE WIRE CONNECTORS ARE TWISTED ON SECURELY, AND NO BARE WIRE IS EXPOSED.

- Slide canopy (G) against ceiling. Secure by threading canopy ring (F) onto canopy coupling (N).

CAUTION: BE SURE NO WIRES ARE PINCHED BETWEEN CANOPY (G) AND THE CEILING.

- Following steps on remaining page to complete install.



(Figure 1)

Athena LED Pendant Medium131631

To Install LED Assembly *(Figure 2)*

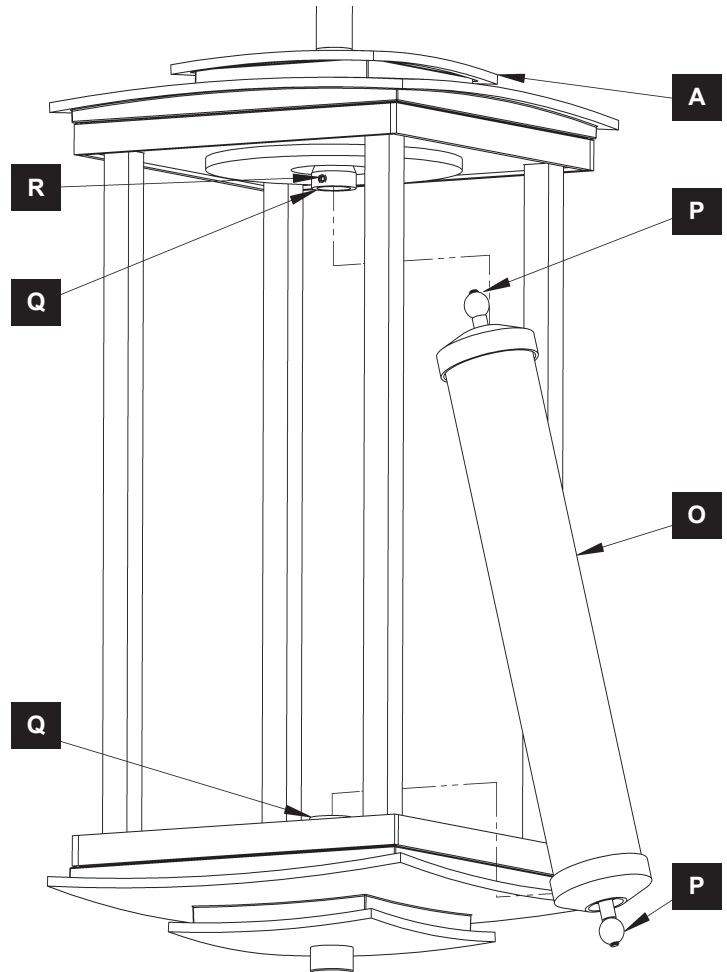
1. Carefully unpack LED glass assembly (O).
2. Locate positive (+) and/or negative (-) labels on LED glass assembly (O) and fixture (A).
3. Caps (Q) are mounted on springs.
4. Place (+) ball (P) on end of LED glass assembly (O) into (+) cap (Q). Press down to compress the spring, while tilting LED assembly (O) into place aligning with cap (Q).

NOTE: *It may be necessary to push up on cap (Q)*

5. Slowly let up on LED assembly (O) until it nestles into other cap (Q).
6. Be sure LED assembly (O) is secure in both caps (Q) before letting go.
7. Tighten set screws (R) in caps (Q) to hold LED assembly (O) in place and ensure adequate electrical connections.

CAUTION: IF SET SCREWS ARE NOT TIGHTENED, FIXTURE MAY NOT FUNCTION AND/OR COULD FLICKER. BE SURE TO TIGHTEN SET SCREWS IN CAPS AFTER LED ASSEMBLY IS IN PLACE.

8. Restore electricity at main breaker.



(Figure 2)

If you need further assistance, or find that you are missing any parts, please contact the dealer from which you purchased this product. We hope you enjoy your fixture!

**Hubbardton Forge will not be liable for injury or damage caused by improper installation, lamping or use of this fixture.*