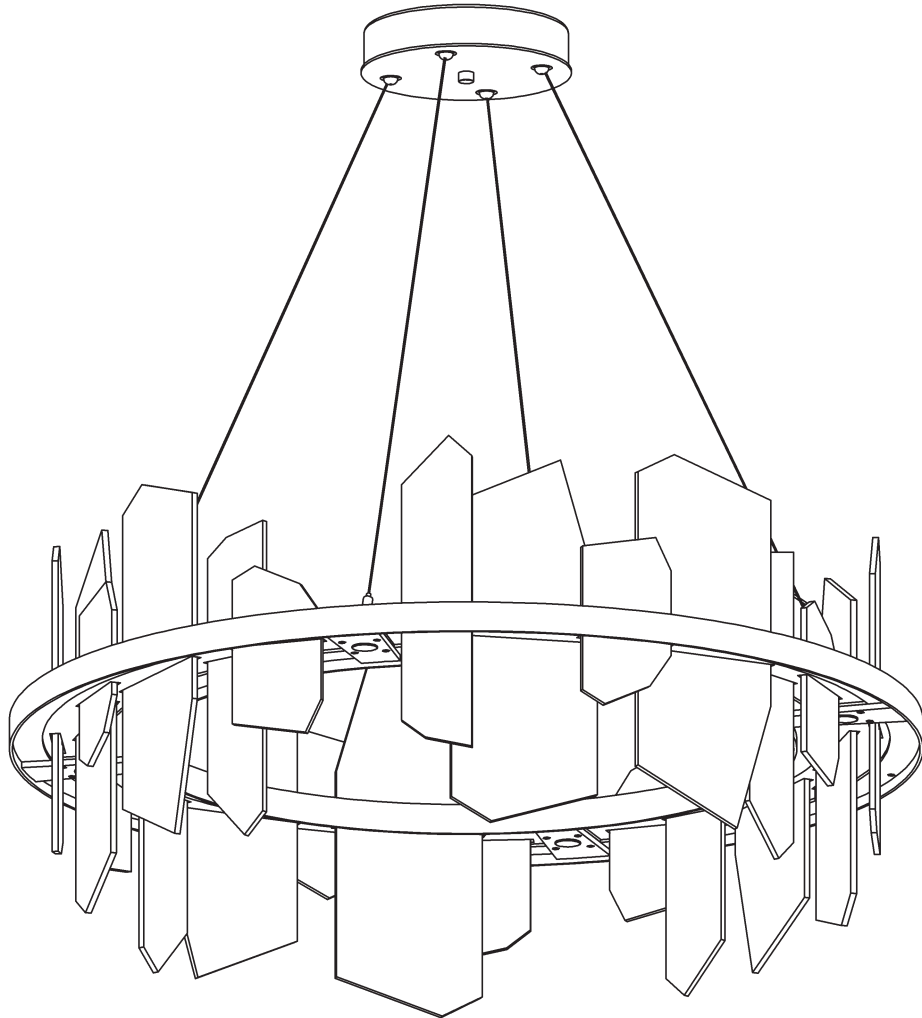


ASSEMBLY & INSTALLATION INSTRUCTIONS

A684

Ardesia Circular Pendant 139665



Component Parts

- A Canopy**
- B Cap**
- C Canopy Cover Plate**
- D #8 Screws (2)**
- E Gripper Plate**
- F Lag Screws (4)**
- G Fixture**
- H Gripper**
- I Supply/Support Cables (4)**
- J Slate Small (8)**
- K Slate Medium (8)**
- L Slate Large (8)**



ASSEMBLY & INSTALLATION INSTRUCTIONS

A684

Ardesia Circular Pendant 139665

CAUTION: FAILURE TO INSTALL THIS FIXTURE PROPERLY MAY RESULT IN SERIOUS PERSONAL INJURY OR DEATH AND PROPERTY DAMAGE. We recommend installation by a licensed electrician. This product must be installed in accordance with applicable installation code(s), by a person familiar with the construction and operation of the product and the hazards involved.*

Caution: Do not exceed maximum wattage noted on fixture. Use only recommended bulbs with fixture.

Please Note: After installation extra hardware and accessories are possible; our kits are used on multiple products.

To Install Fixture (Figures 1 & 2 - on following page)

CAUTION: BE SURE POWER IS OFF AT THE MAIN BREAKER BOX PRIOR TO INSTALLATION.

1. Carefully unpack fixture (G) from the carton.
2. Locate canopy assembly. Uncoil supply/support cables (I).
3. Unscrew two #8 screws (D) that attach the gripper plate (E) to the the canopy assembly. Remove gripper plate and set aside.
4. Thread supply wires through hole in canopy (A). Raise canopy (A) to electric box and secure with two machine screws (not provided).

Note: A new electric box comes with screws. When replacing a fixture, retain the existing screws for use with the new fixture.

5. Using the four lag screws (F) attach canopy (A) to a structural member in the ceiling. We've supplied lag screws with your fixture, however, different materials and/or construction methods may require different fasteners. If in doubt, contact a qualified electrician.
6. While holding gripper plate (E) close to canopy (A), use suitable wire connectors (not provided) to connect driver wires to supply wires (white to white and black to black).

CAUTION: MAKE SURE WIRE CONNECTORS ARE TWISTED ON SECURELY AND NO BARE WIRE IS EXPOSED.

7. Reattach gripper plate (E) to canopy (A) using two #8 screws (D).
8. Feed the supply/support cables (I) through appropriate holes in canopy cover plate (C), making sure that the (+) cables go through the (+) holes and the (-) cables go through the (-) holes.
9. Hold canopy cover plate (C) close to canopy (A). Connect all ground wires (bare copper or green to bare copper or green) together.

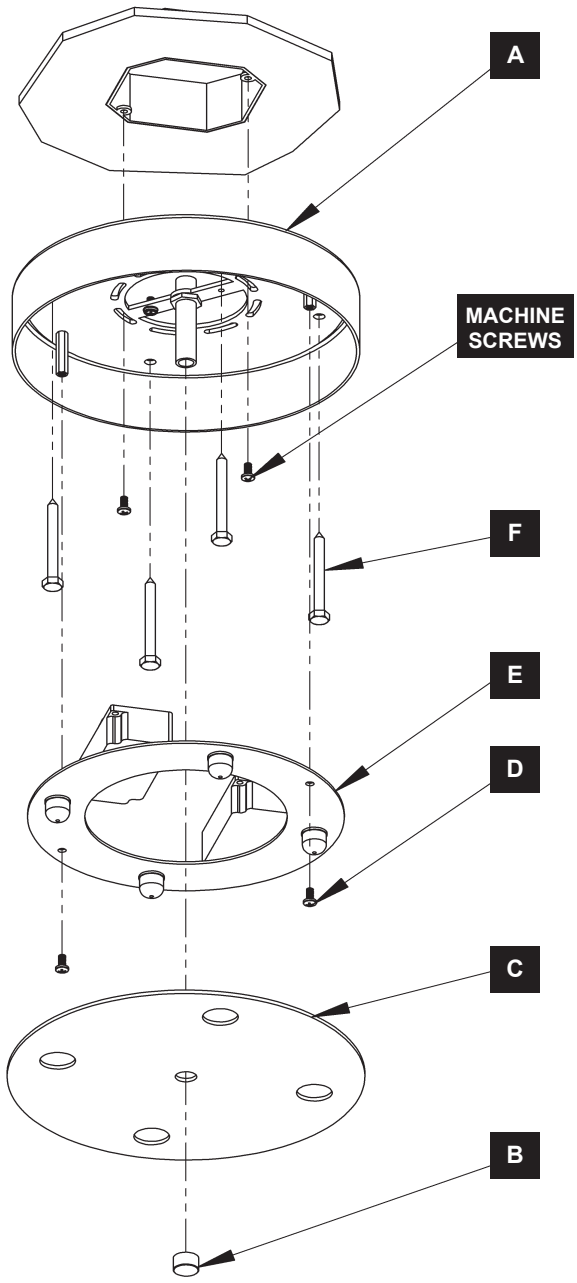
CAUTION: MAKE SURE WIRE CONNECTORS ARE TWISTED ON SECURELY AND NO BARE WIRE IS EXPOSED.

10. Install canopy cover plate (C) and secure in place with cap (B).
11. Align (+) and (-) labels on the fixture (G) with the (+) and (-) labels on canopy cover plate (C). **NOTE:** Align the (+) & (-) labels on the fixture with red dots with the (+) & (-) labels on the canopy that have red dots.
12. Insert supply/support cable (I) through gripper (H) on fixture (G) until cable sticks through slot in the side of gripper (H). (Figure 2)
13. Repeat step 12 for the remaining supply/support cables (I).
14. Follow steps on following pages to complete installation.

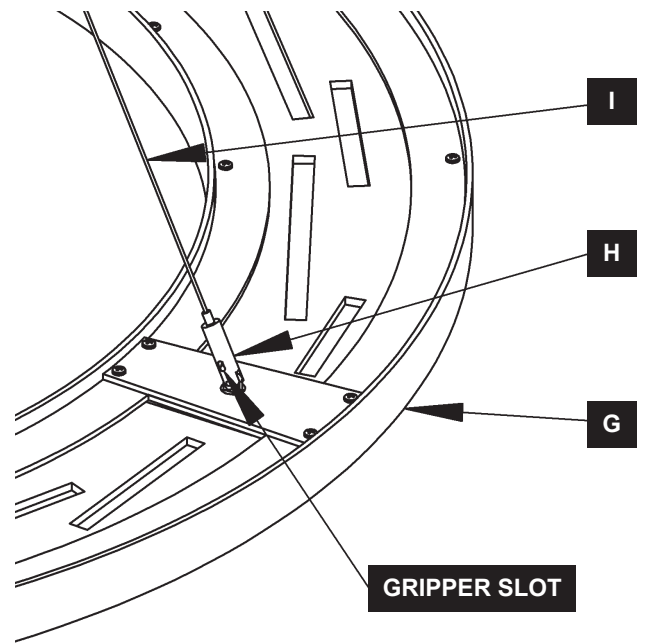
ASSEMBLY & INSTALLATION INSTRUCTIONS

A684

Ardesia Circular Pendant 139665



(Figure 1)



(Figure 2)

Ardesia Circular Pendant 139665

To Install Slate (Figures 3 & 4)

1. Raise fixture (G) to a comfortable height for installing slate pieces.
2. Locate slate pieces. The fixture comes with eight of each size of slate (J,K,L).
3. To install knobs, slide stud with knob attached through slate and thread on remaining knob. These can be found in kit bag. Repeat with remaining slate pieces. See Figure 3

Note: If more threads are needed, loosen knob from one side until there is a enough to engage other knob.

4. Each quadrant will use (2) of each size of slate. Slide slate (J,K,L) through slots in fixture (G) until the knobs rest on lightguide. Repeat for remaining quadrants.

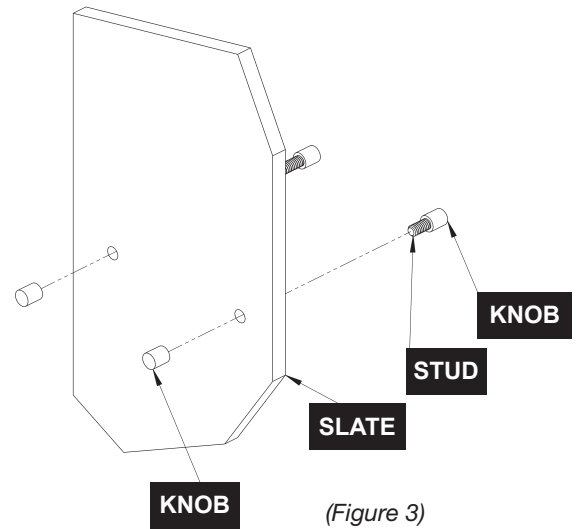
Note: See Figure 3 and front page for slate orientation. Each quadrant has the same layout.

5. Raise fixture to desired hang height.
6. Once desired fixture height is achieved, cut excess cable (I) as close to the gripper (H) as possible.

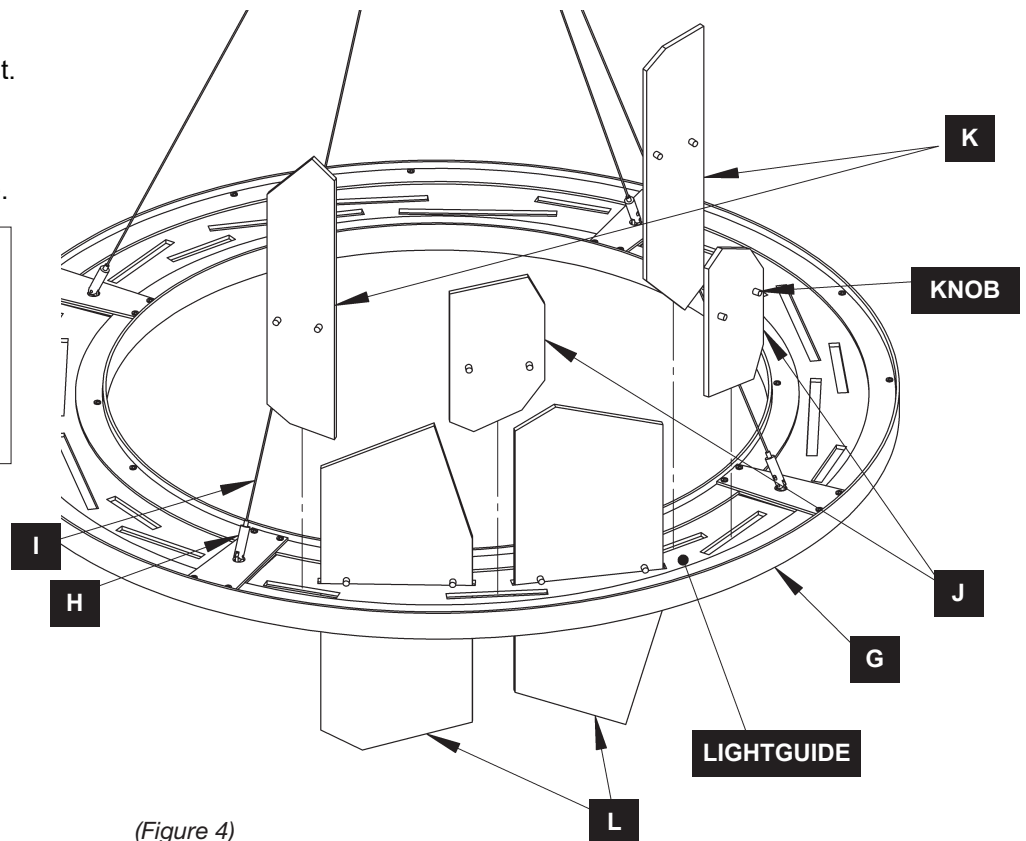
CAUTION: Once excess cable is cut, fixture cannot be lowered.

CAUTION: Be sure no piece of the support cable is touching the fixture.

7. Restore electricity at main breaker.



(Figure 3)



(Figure 4)

If you need further assistance, or find that you are missing any parts, please contact the dealer from which you purchased this product. We hope you enjoy your fixture!

*** Hubbardton Forge will not be liable for injury or damage caused by improper installation, lamping or use of this fixture.**