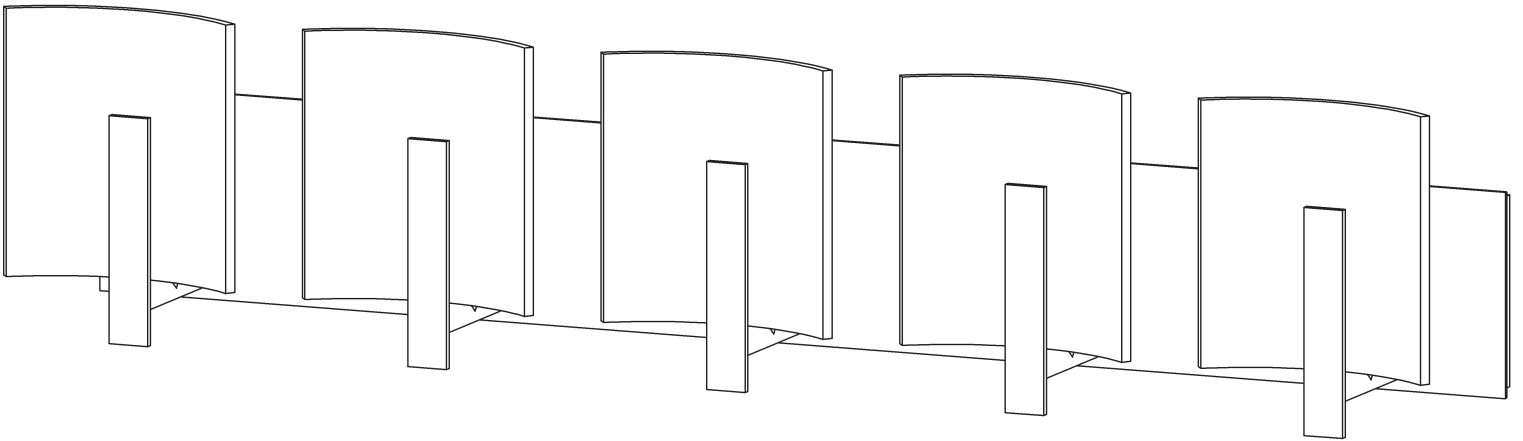


ASSEMBLY & INSTALLATION INSTRUCTIONS

B483

Arc 5 Light Bath Sconce 201313



Component Parts

- A. Fixture**
- B. Mounting Bracket**
- C. Ground Screw**
- D. Cupped Washer**
- E. #8 Screws (6)**
- F. Socket (5)**
- G. Bulb (Not Included)**
- H. Glass (5)**
- I. Rubber Washer (20)**
- J. Knurled Ball (10)**
- K. Threaded Stud (10)**
- L. Anchor (8)**
- M. #10 Screw (8)**



ASSEMBLY & INSTALLATION INSTRUCTIONS

B483

Arc 5 Light Bath Sconce 201313

CAUTION: FAILURE TO INSTALL THIS FIXTURE PROPERLY MAY RESULT IN SERIOUS PERSONAL INJURY OR DEATH AND PROPERTY DAMAGE. We recommend installation by a licensed electrician. This product must be installed in accordance with applicable installation code(s), by a person familiar with the construction and operation of the product and the hazards involved.*

Caution: Do not exceed maximum wattage noted on fixture. Use only recommended bulbs with fixture.

Please Note: After installation extra hardware and accessories are possible; our kits are used on multiple products.

To Install Fixture (Figure 1, on next page)

CAUTION: BE SURE POWER IS OFF AT THE MAIN BREAKER BOX PRIOR TO INSTALLATION.

1. Carefully unpack the fixture (A) from the carton.
2. Remove mounting bracket (B) from fixture (A).
3. Place the mounting bracket (B) over the electrical box being sure to hold it level. Line up holes in mounting bracket with holes in electrical box.
4. With a pencil, mark the location of at least 2 additional mounting hole locations in the mounting bracket (B) on the wall behind. Set bracket aside.
5. Drill 1/4" holes in the locations marked on the wall. Place the tapered end of the anchors (L) into the holes and gently tap them flush to the wall using a light weight hammer.
6. Thread the wires in the electrical box through the hole in the mounting bracket (B) while moving the bracket into position. Using (2) machine screws (not included), fasten bracket (B) to the box. Using #10 screws (M), screw the mounting bracket securely to the wall. Be careful not to over-tighten or strip the anchors (L).

Note: A new electric box comes with screws. When replacing a fixture, retain the existing screws for use.

7. Attach a pigtail lead to the mounting bracket (B) using the ground screw (C) and cupped washer (D) found in kit bag.
8. Hold fixture (A) close to wall. Using suitable wire connectors (not provided), connect fixture wires to supply wires (white to white and black to black). Connect all ground wires (bare copper or green to bare copper or green).

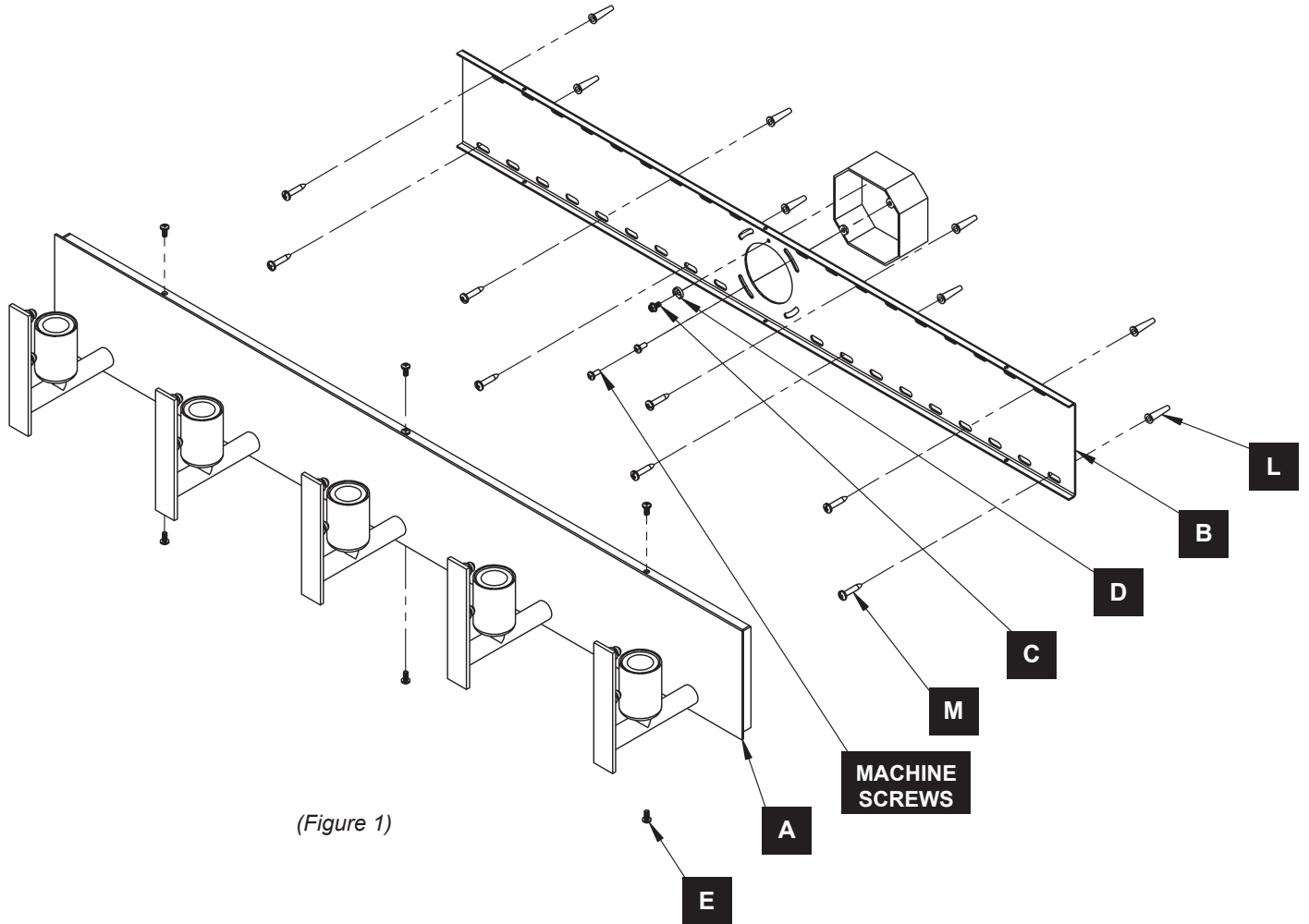
CAUTION: MAKE SURE WIRE CONNECTORS ARE TWISTED ON SECURELY, AND NO BARE WIRE IS EXPOSED.

9. Place fixture (A) over mounting bracket (B) secure with #8 screws (E) on top and bottom of fixture. Be sure no wires are pinched between fixture and wall.
10. Follow steps on page 5 to complete installation.

ASSEMBLY & INSTALLATION INSTRUCTIONS

B483

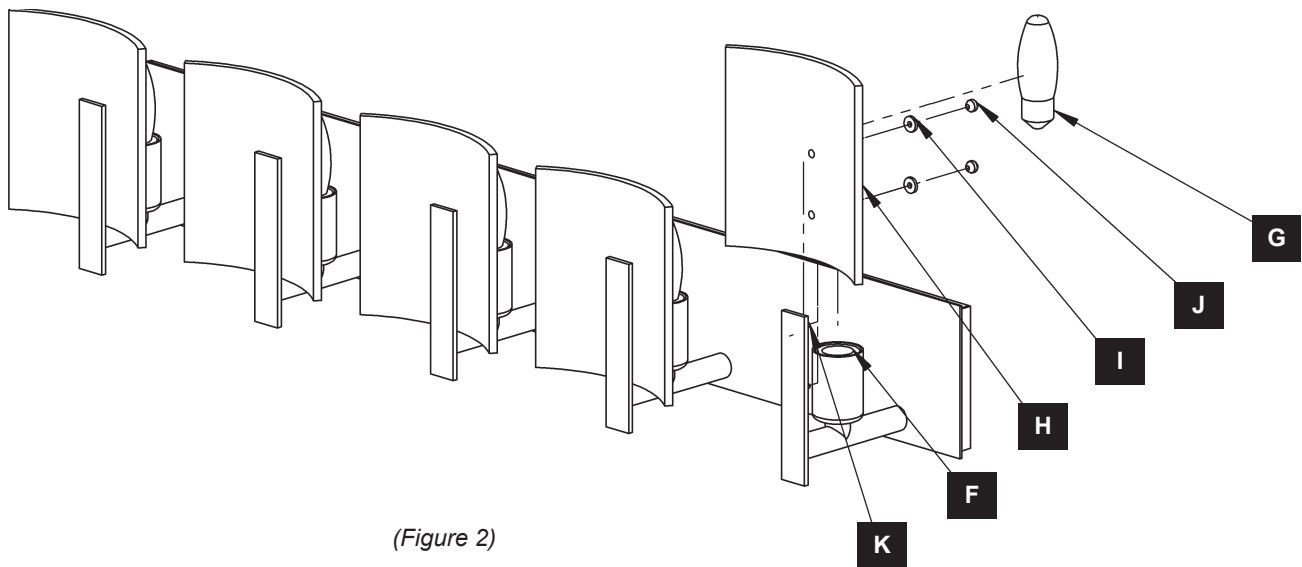
Arc 5 Light Bath Sconce 201313



Arc 5 Light Bath Sconce 201313

To Install Glass (Figure 2)

1. Rubber washers (I) and knurled balls (J) are shipped installed on the threaded studs (K). Remove washers (I) and knurled balls (J) and set aside.
2. Unpack glass (H). Slide glass (H) over the threaded studs (K).
3. Secure glass (H) with rubber washers (I) and knurled balls (J). Rubber washers (I) may not be needed, depending on glass (H) thickness.
4. Install bulb (G) (not included) into socket (F) .
5. Repeat for remaining glass and bulbs.
6. Restore electricity at main breaker.



(Figure 2)

If you need further assistance, or find that you are missing any parts, please contact the dealer from which you purchased this product. We hope you enjoy your fixture!

*** Hubbardton Forge will not be liable for injury or damage caused by improper installation, lamping or use of this fixture.**