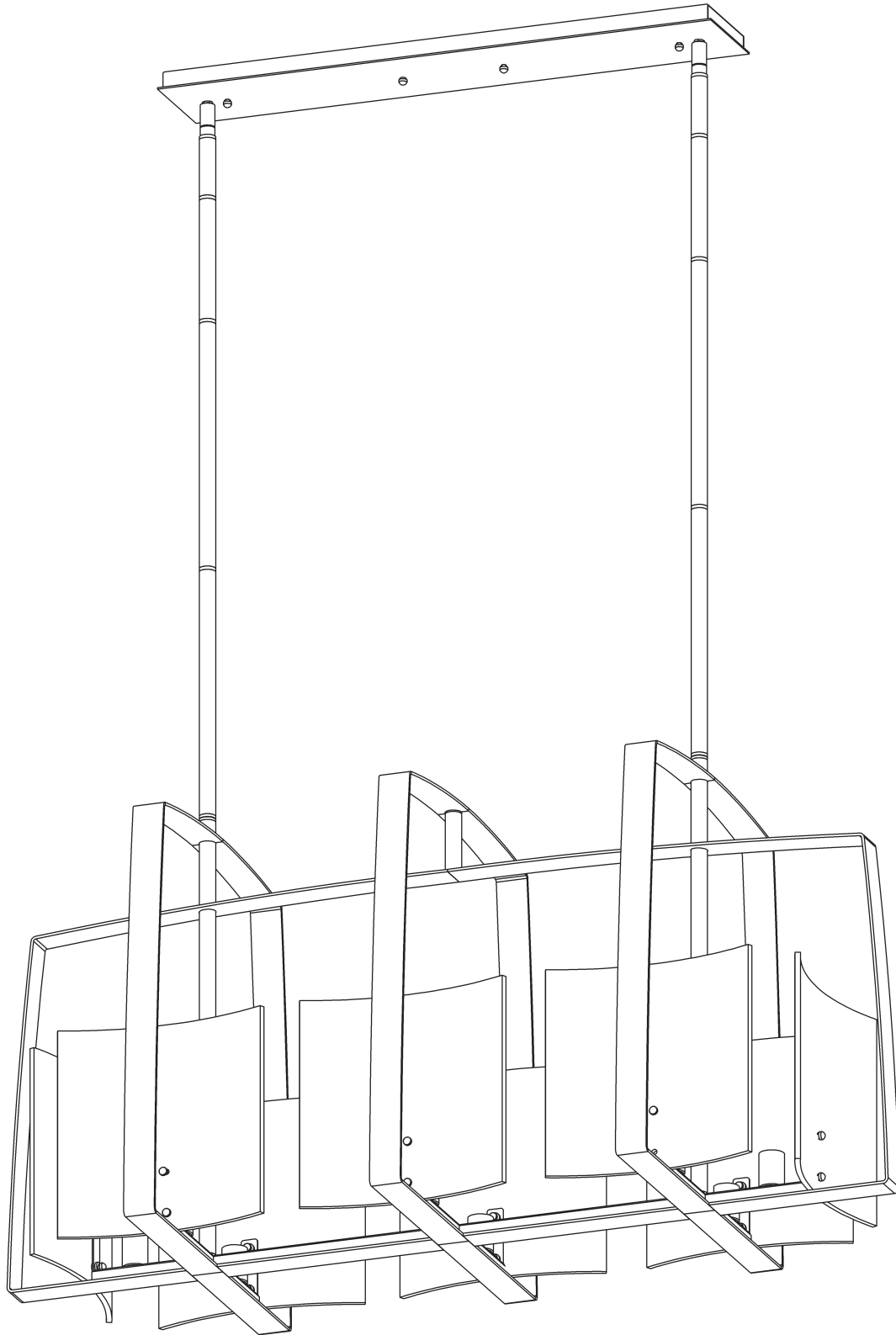


# ASSEMBLY & INSTALLATION INSTRUCTIONS

A851

Linear Arc Pendant 131311



HUBBARDTON FORGE.

MODERN AMERICAN BLACKSMITHS | FINE, HAND CRAFTED LIGHTING  
CASTLETON, VERMONT USA | HUBBARDTONFORGE.COM

## Component Parts

- A Fixture**
- B Canopy**
- C #10 Screws (8)**
- D Anchors (8)**
- E Canopy Plate**
- F Swivel (2)**
- G Stud (4)**
- H 3" Fixture Pipe (2)**
- I 6" Fixture Pipe (2)**
- J 12" Fixture Pipe (6)**
- K Stem Couplings (8)**
- L Safety Cable(2)**
- M Nut (2)**
- N Washer (2)**
- O Socket (8)**
- P Bulb (not included)**
- Q Glass Bracket (8)**
- R Knurled Ball (36)**
- S Rubber Washer (32)**
- T Glass (8)**
- U Thumb Screw (16)**



# ASSEMBLY & INSTALLATION INSTRUCTIONS

A851

Linear Arc Pendant 131311

**CAUTION: FAILURE TO INSTALL THIS FIXTURE PROPERLY MAY RESULT IN SERIOUS PERSONAL INJURY OR DEATH AND PROPERTY DAMAGE.** We recommend installation by a licensed electrician. This product must be installed in accordance with applicable installation code(s), by a person familiar with the construction and operation of the product and the hazards involved.\*

Caution: Do not exceed maximum wattage noted on fixture. Use only recommended bulbs with fixture.

Please Note: After installation extra hardware and accessories are possible due to our kits are used on multiple products and options.

## To Install Canopy (Figure 1) on following page

**CAUTION: BE SURE POWER IS OFF AT THE MAIN BREAKER BOX PRIOR TO INSTALLATION.**

1. Carefully unpack canopy the carton.
2. The canopy will need to be secured to a structural member in the ceiling. For additional holes needing anchors, place canopy (B) over the electrical box. Line up holes in canopy with holes in electrical box. With a pencil, mark the location of mounting holes needing anchors in canopy on ceiling. Set canopy (B) aside.
3. Drill 1/4" holes in the locations marked on the ceiling. Place the tapered end of the anchors (D) into the holes and gently tap them flush to the ceiling using a light weight hammer.
4. Thread the wires in the electrical box through the hole in the canopy (B) while moving the canopy into position. Using two machine screws (not provided) fasten canopy (B) to the electric box.

**Note:** A new electric box comes with screws. When replacing a fixture, retain the existing screws for use with the new fixture.

5. Using wood screws (C) attach canopy (B) to a structural member in the ceiling.

**Note:** Wood screws are supplied with your fixture; however, different materials and/or construction methods may require different fasteners. If in doubt, contact a qualified electrician.

**Caution:** Do not rely on anchors alone to suspend fixture. Fixture must be attached to a structural member in the ceiling.

6. Install screws (C) into remaining holes with anchors (D). Be sure not to overtighten and strip the anchor (D).
7. Using suitable wire connectors (not provided) connect transformer wires to supply wires (white to white and black to black). Connect all ground wires (bare copper or green to bare copper or green) together.

**CAUTION: MAKE SURE WIRE CONNECTORS ARE TWISTED ON SECURELY, AND NO BARE WIRE IS EXPOSED.**

8. Follow instructions on following page to install fixture.



HUBBARDTON FORGE.

MODERN AMERICAN BLACKSMITHS | FINE, HAND CRAFTED LIGHTING  
CASTLETON, VERMONT USA | HUBBARDTONFORGE.COM

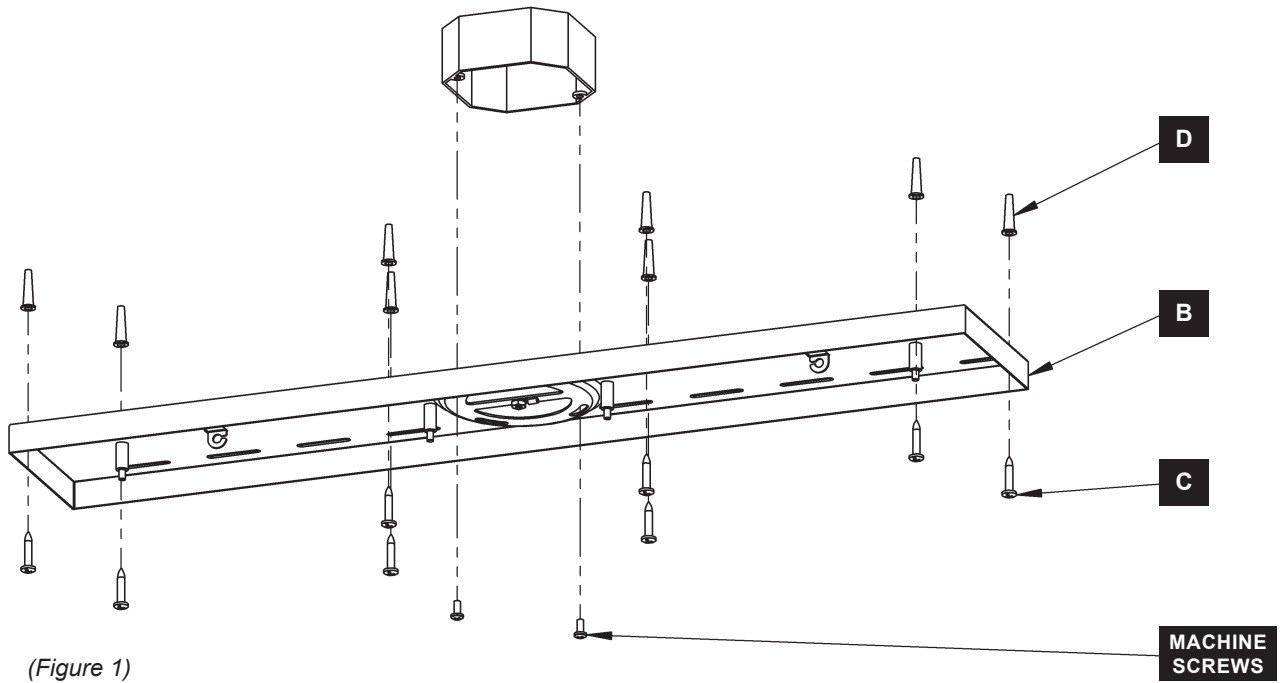
50452

3 OF 6

# ASSEMBLY & INSTALLATION INSTRUCTIONS

A851

Linear Arc Pendant 131311



(Figure 1)

## To Install Fixture (Figure 2) on following page

1. Carefully unpack fixture from the carton.
2. Locate fixture pipes (H,I,J), fixture (A), stem coupling (K). Stem couplings (K) can be found in the kit bag.
3. Provided are multiple fixture pipes in three different lengths. Choose the combination that will achieve the overall height desired. Refer to the table below to determine the pipes required to reach the desired overall height. Once you have determined the components necessary, feed the wires that exit fixture (A) through the individual components and thread pipes and couplings together. Wires will slip easier through loose components than through pipes and couplings that are pre-assembled. Once wires are run, apply thread locking compound to all the connection points and assemble the pipes and nipples.

		Overall Height of Fixture														
		27.7	30.7	33.7	36.7	39.7	42.7	45.7	48.7	51.7	54.7	57.7	60.7	63.7	66.7	69.7
# of Pipes Required	3" Pipe (I)	1		1		1		1		1		1		1		1
	6" Pipe (J)		1	1			1	1			1	1			1	1
	12" Pipe (K)				1	1	1	1	2	2	2	2	3	3	3	3

**NOTE:** APPLICATION OF THE THREAD LOCKING COMPOUND IS NECESSARY TO PREVENT THE PIPE FROM LOOSENING DURING REGULAR MAINTENANCE AND CLEANING OF THE FIXTURE. BE CERTAIN TO APPLY THE COMPOUND.

4. Slip wires from the fixture (A) through assembled swivel (F) and thread swivel into fixture pipe.
5. Repeat repeat steps 3 & 4 for second set of pipes.
6. Ensure that slots on swivels (F) are aligned as shown in figure 2.
7. Follow instructions on following page to continue install.

# ASSEMBLY & INSTALLATION INSTRUCTIONS

A851

## Linear Arc Pendant 131311

8. Carefully place canopy plate (E) over swivels (F) and secure with washer (N), safety cable (L) and nut (M) as shown. Washer (N), safety cable (L) and nut (M) can be found in the kit bag.

9. Lift fixture assembly (A) up to canopy (B) and place safety cables (L) over loop.

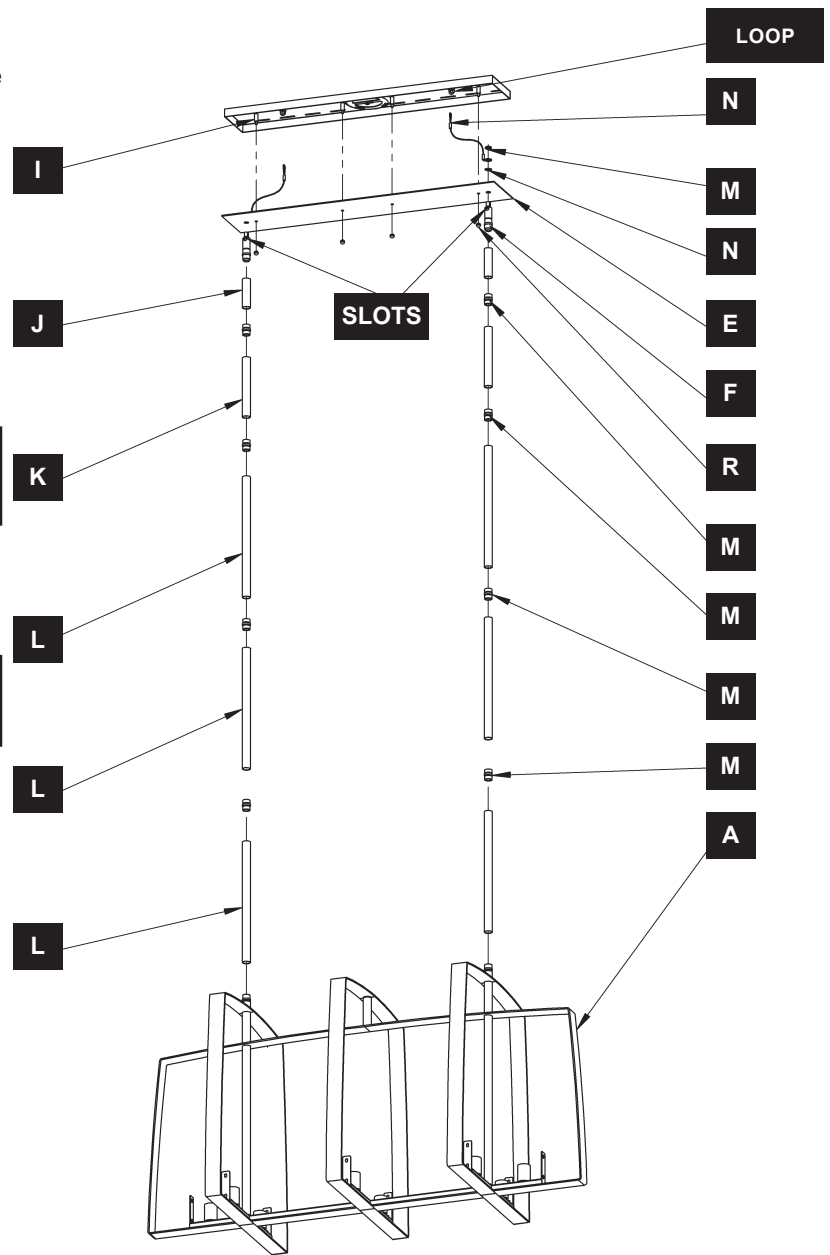
10. Using suitable wire connectors (not provided) connect fixture wires to supply (white/ribbed to white and black/smooth to black). Connect all ground wires (bare copper or green to bare copper or green).

**CAUTION: MAKE SURE WIRE CONNECTORS ARE TWISTED ON SECURELY, AND NO BARE WIRE IS EXPOSED.**

11. Align the holes in canopy plate (E) with studs (G) and secure with knurled balls (R).

**CAUTION: BE SURE NO WIRES ARE PINCHED BETWEEN CANOPY (H) AND THE CEILING.**

12. Refer to instructions on next page to Install Glass.



(Figure 2)



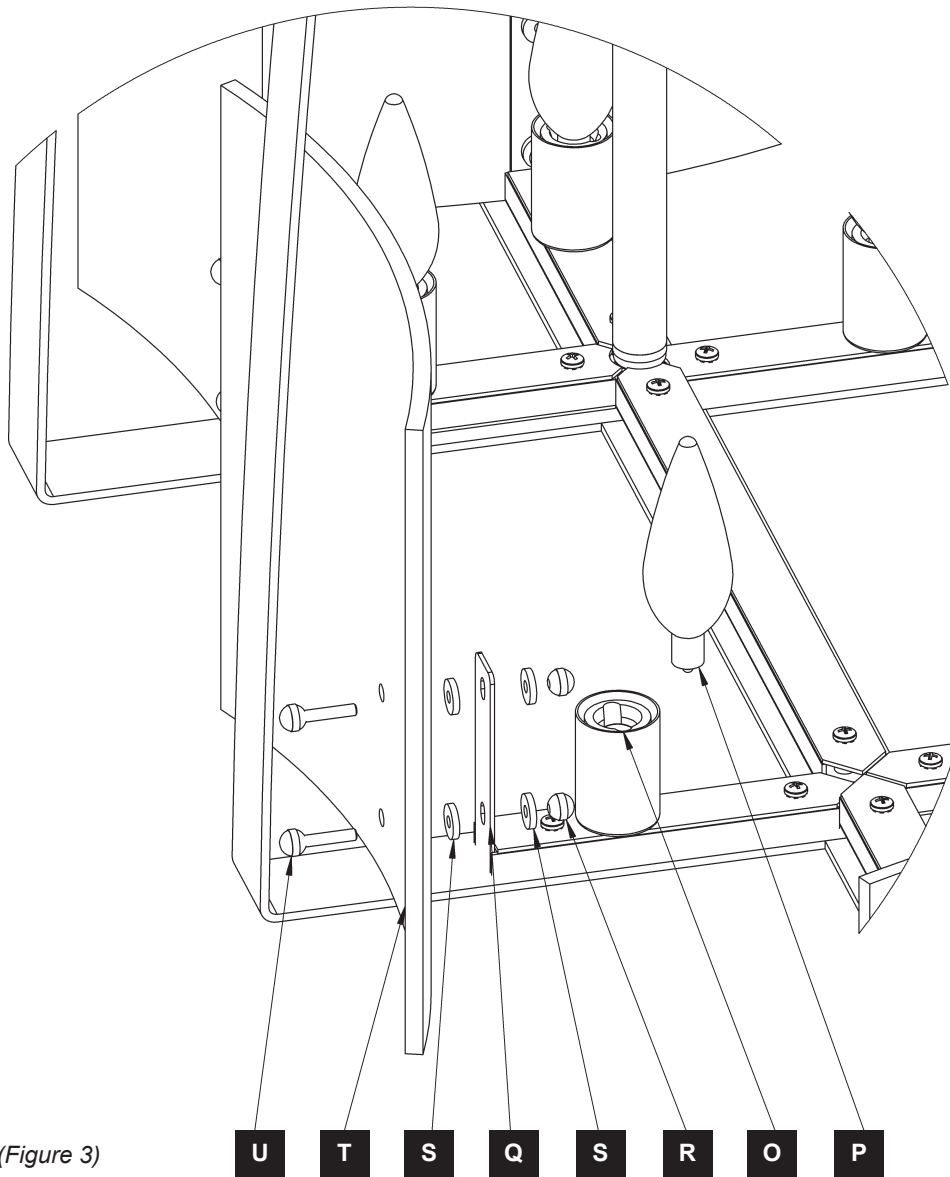
HUBBARDTON FORGE.

MODERN AMERICAN BLACKSMITHS | FINE, HAND CRAFTED LIGHTING  
CASTLETON, VERMONT USA | HUBBARDTONFORGE.COM

Linear Arc Pendant 131311

## To Install Glass *(Figure 2)*

1. Install bulbs (P) (not included) into sockets (O).
2. Locate glass (T) and position it near the glass bracket (Q). Slide thumb screw (U) through hole in glass, slide on one rubber washer (S) and slide thumb screw (U) through glass bracket (Q). Slide on second rubber washer (S) and secure with knurled ball (R). Repeat for second hole in glass.
3. Repeat for remaining pieces of glass (T).
4. Restore electricity at main breaker.



*(Figure 3)*

If you need further assistance, or find that you are missing any parts, please contact the dealer from which you purchased this product. We hope you enjoy your fixture!  
 \*Hubbardton Forge will not be liable for injury or damage caused by improper installation, lamping or use of this fixture.