

Installation Instructions

For Aperture Sconce 21-7510

B176

Page 1 of 3

CAUTION: FAILURE TO INSTALL THIS FIXTURE PROPERLY MAY RESULT IN SERIOUS PERSONAL INJURY OR DEATH AND PROPERTY DAMAGE. We recommend installation by a licensed electrician.

This product must be installed in accordance with applicable installation code(s), by a person familiar with the construction and operation of the product and the hazards involved.*

Caution: Do not exceed maximum wattage noted on fixture. Use only recommended bulbs with fixture.

Please Note: This fixture is designed to be mounted on a standard wall surface and may not be suitable for all applications. If installing in a non-wood frame application, we recommend consulting a qualified builder or electrician.

Please Note: After installation extra hardware and accessories are possible; our kits are used on multiple products and options.

To Mount Fixture to Wall (Figures 1 & 2)

Component Parts

| | | | |
|---|---------------|---|--------------|
| A | Fixture Back | F | Nipple |
| B | Fixture Front | G | Lock Nut |
| C | Locking Screw | H | Crossbar |
| D | Cap Screw (2) | I | Ground Screw |
| E | Screw Cap | | |

Caution: Be sure power is off at the main breaker box prior to installation.

1. Carefully unpack the fixture from the carton.
2. Remove fixture front (B) from fixture back (A) by loosening locking screw (C). **Note:** It is not necessary to remove locking screw (C). Two assemblies are shipped together. Slide fixture front (B) up to allow it to slip over cap screws (D). Set aside for later use.
3. Using two machine screws (not provided) attach cross bar (H) to the electric box. **Note:** A new electric box comes with screws. When replacing a fixture, retain the screws for use with the new fixture.
4. Thread the nipple (F) into the crossbar and secure with lock nut (G). Adjust the nipple to proper length to ensure the fixture will fit snugly to the wall.
5. Using suitable wire connectors (not provided), connect the fixture wires to the supply wires, (white to white, black to black, bare copper or green to bare copper or green). If the fixture is wired with twin lead lamp cord, connect the ribbed side to white, and the smooth side to black.
Caution: Make sure wire connectors are twisted on securely and no bare wires are exposed.
6. Carefully tuck all wires behind the fixture, place fixture firmly against the wall and fasten screw cap (E).
7. See instructions following to complete install.

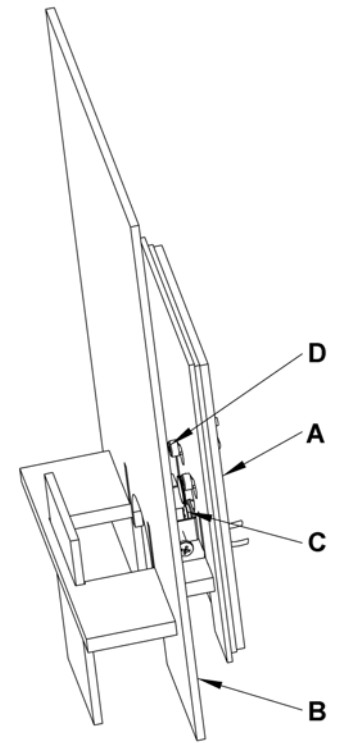


Figure 1

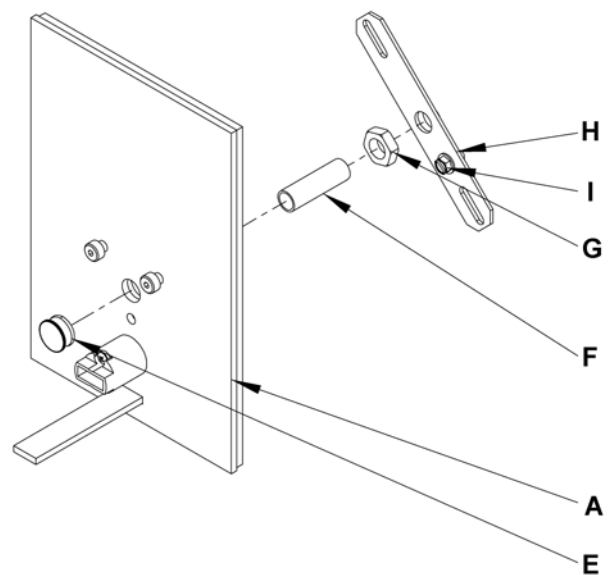


Figure 2

(continued)

Installation Instructions

For Aperture Sconce 21-7510

B176

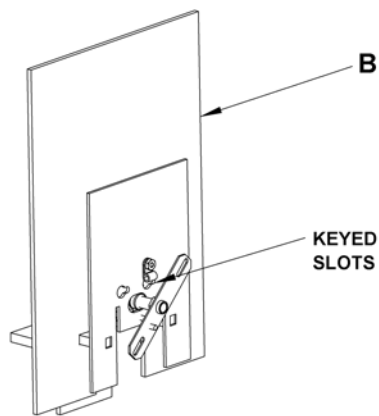
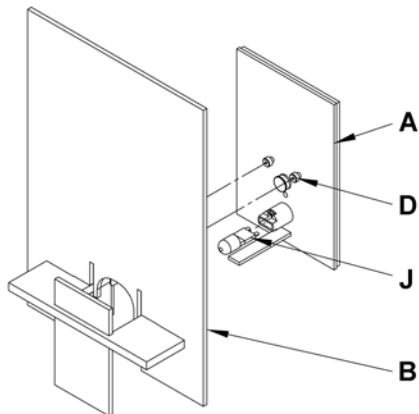
Page 2 of 3

To Install Front (Figures 3 & 4)

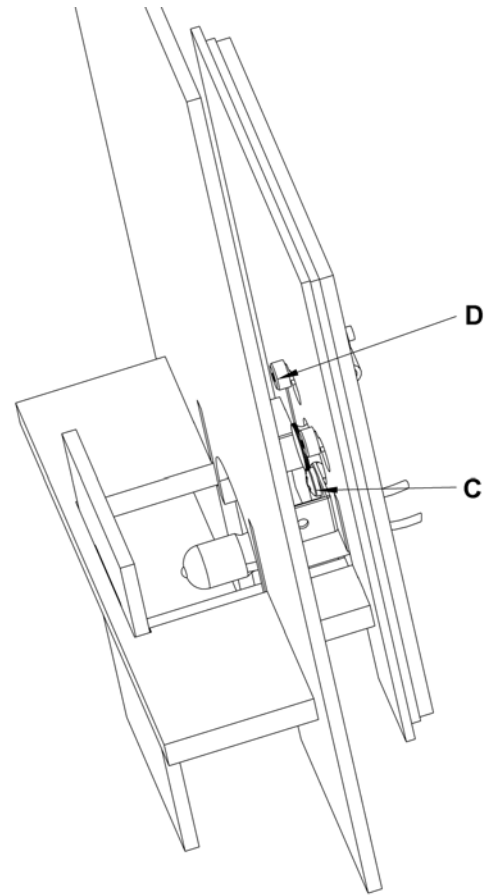
Component Parts

- A Fixture Back
- B Fixture Front
- C Locking Screw
- D Cap Screw (2)
- J Bulb (Included)

1. Install light bulb (J). Be careful not to touch bulb with bare hands; oil from your hands will reduce bulb life.
Note: When replacing the bulb it will be necessary to remove the glass on the right hand side to allow the front assembly to be removed.
2. Slip fixture front (B) onto two cap screws (D) by aligning keyed slots with the cap screws (D) installed in fixture back (A). When front assembly is as far back as it will go slide fixture to the right to secure.
3. Tighten locking screw (C) until snug. (Figure 4)



(Figure 3)



(Figure 4)

(continued)

Installation Instructions

For Aperture Sconce 21-7510

B176

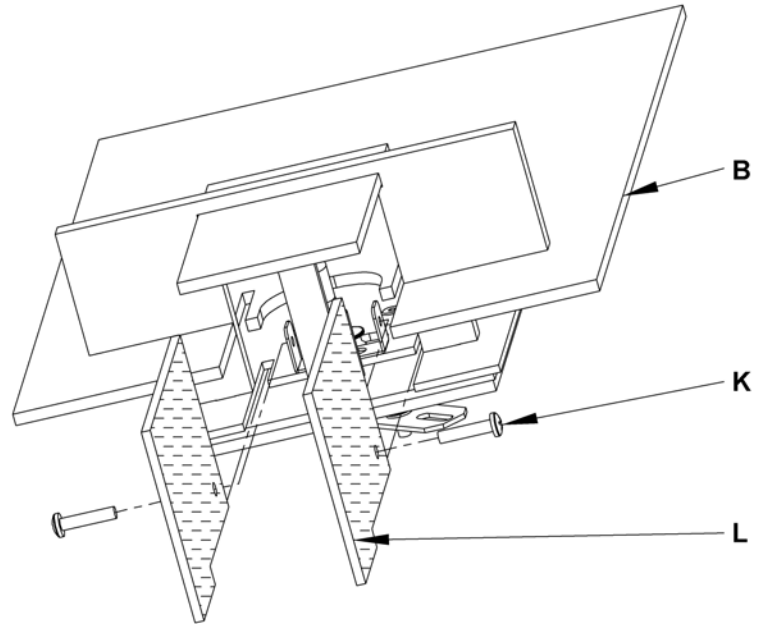
Page 3 of 3

To Install Glass (Figure 5)

Component Parts

- B Fixture Front
- K Screw (2)
- L Glass (2)

1. Remove screws (K) from fixture front (B). *Screws are shipped installed.*
2. Install glass (L) with dull side towards bulb into slots in fixture front (B).
3. Thread screws (K) into brackets on fixture front (B) and tighten until snug. *Be careful not to over tighten.*



(Figure 5)

If you need further assistance, or find that you are missing any parts, please contact the dealer from which you purchased this product. We hope you enjoy your fixture!

* Hubbardton Forge will not be liable for injury or damage caused by improper installation, lamping or use of this fixture.