

Installation Instructions

For Aperture Vertical Sconce 21-7520

B178

Page 1 of 2

CAUTION: FAILURE TO INSTALL THIS FIXTURE PROPERLY MAY RESULT IN SERIOUS PERSONAL INJURY OR DEATH AND PROPERTY DAMAGE. We recommend installation by a licensed electrician.

This product must be installed in accordance with applicable installation code(s), by a person familiar with the construction and operation of the product and the hazards involved.*

Caution: Do not exceed maximum wattage noted on fixture. Use only recommended bulbs with fixture.

Please Note: This fixture is designed to be mounted on a standard wall surface and may not be suitable for all applications. If installing in a non-wood frame application, we recommend consulting a qualified builder or electrician.

Please Note: After installation extra hardware and accessories are possible due to our kits are used on multiple products and options.

To Mount Fixture to Wall (Figures 1 & 2)

Component Parts

- A Fixture Back
- B Fixture Front
- C Locking Screw
- D Cap Screw (2)
- E Screw Cap
- F Nipple
- G Lock Nut
- H Crossbar
- I Ground Screw

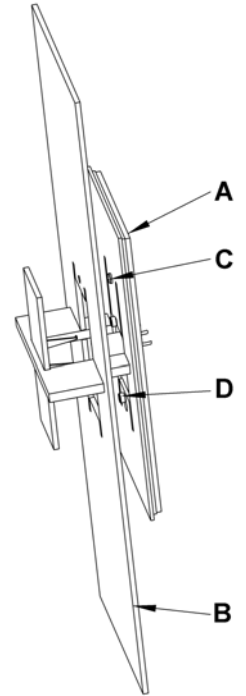


Figure 1

Caution: Be sure power is off at the main breaker box prior to installation.

1. Carefully unpack the fixture from the carton.
2. Remove fixture front (B) from fixture back (A) by loosening locking screw (C). *Two assemblies are shipped together.* Slide fixture front (B) up to allow it to slip over cap screws (D). Set aside for later use.
3. Using two machine screws (not provided) attach cross bar (H) to the electric box. **Note:** A new electric box comes with screws. When replacing a fixture, retain the screws for use with the new fixture.
4. Thread the nipple (F) into the crossbar (H) and secure with lock nut (G). Adjust the nipple to proper length to ensure the fixture will fit snugly to the wall.
5. Using suitable wire connectors (not provided), connect the fixture wires to the supply wires, (white to white, black to black, bare copper or green to bare copper or green). Ground the crossbar using the green ground screw (I) and securing a pigtail lead to the crossbar. If the fixture is wired with twin lead lamp cord, connect the ribbed side to white, and the smooth side to black. Caution: Make sure wire connectors are twisted on securely and no bare wires are exposed.
6. Carefully tuck all wires behind the fixture back (A), place fixture back firmly against the wall and fasten with screw cap (E).
7. See instructions following to complete install.

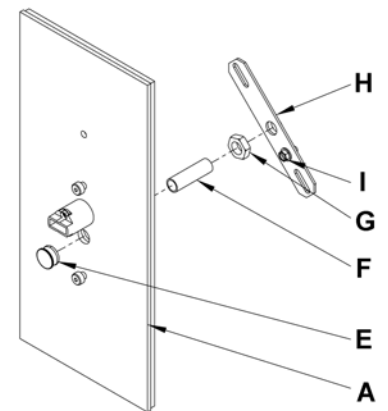


Figure 2

(continued)

Installation Instructions

For Aperture Vertical Sconce 21-7520

B178

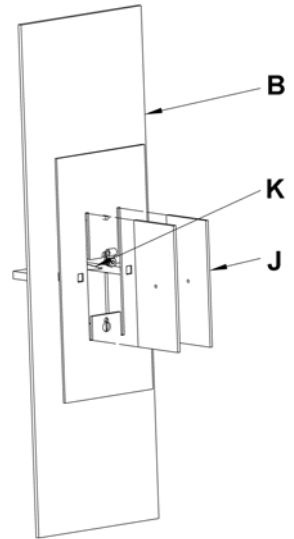
Page 2 of 2

To Install Glass (Figure 3)

Component Parts

- B Front Assembly
- J Glass (2)
- K Glass Spring

1. Slide glass (J) into slots in front assembly (B) with the dull side towards the center until the holes in the glass (J) engage with the glass spring (K).



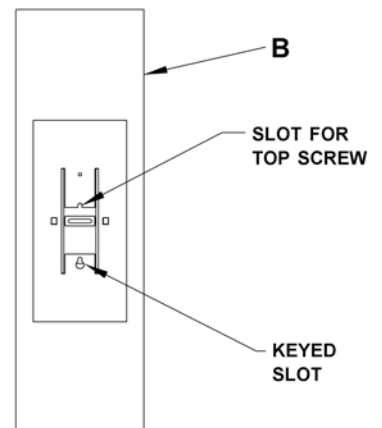
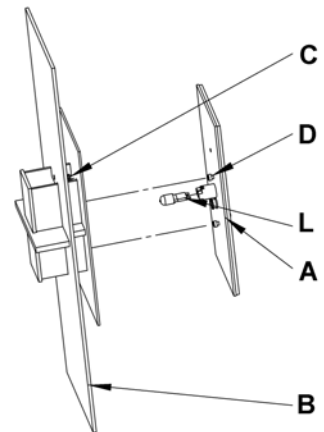
(Figure 3)

To Install Front (Figure 4)

Component Parts

- A Fixture Back
- B Front Assembly
- C Locking Screw
- D Cap Screw (2)
- L Bulb (Included)

1. Install light bulb (L). Be careful not to touch bulb with bare hands; oil from your hands will reduce bulb life.
2. Slip front assembly (B) onto two cap screws (D) by aligning top slot and keyed slot with the cap screws (D) installed in fixture (A). When front is as far back as it will go slide fixture down to secure.
3. Tighten locking screw (C) until snug.



(Figure 4)

If you need further assistance, or find that you are missing any parts, please contact the dealer from which you purchased this product. We hope you enjoy your fixture!

* Hubbardton Forge will not be liable for injury or damage caused by improper installation, lamping or use of this fixture.