

# Installation Instructions

A321

Airis Low Voltage Pendants 161020 & 161025

Page 1 of 4

**CAUTION: FAILURE TO INSTALL THIS FIXTURE PROPERLY MAY RESULT IN SERIOUS PERSONAL INJURY OR DEATH AND PROPERTY DAMAGE.** We recommend installation by a licensed electrician. This product must be installed in accordance with applicable installation code(s), by a person familiar with the construction and operation of the product and the hazards involved.\*

Caution: Do not exceed maximum wattage noted on fixture. Use only recommended bulbs with fixture.

## To Install the Canopy (Figures 1, 2 & 3)

### Component Parts

|                   |                         |
|-------------------|-------------------------|
| A 8-32 Screw (2)  | G Canopy                |
| B Top Assembly    | H #8 Screws             |
| C Bottom Assembly | I Canopy Gripper        |
| D Crossbar        | J Supply/Support Cable  |
| E Ground Screw    | Q Canopy Plate          |
| F Cupped Washer   | R Screws w/Lock Washers |

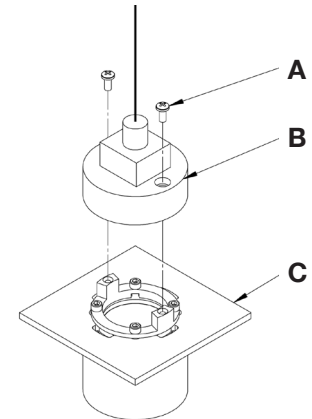
**CAUTION:** BE SURE POWER IS OFF AT THE MAIN BREAKER BOX PRIOR TO INSTALLATION.

1. Carefully unpack the fixture from the carton.
2. Remove two 8-32 screws (A) from top assembly (B) to separate from bottom assembly (C). Place bottom assembly (C) and two 8-32 screws (A) to the side for later use. (Figure 1)
3. Using two machine screws (not provided), fasten the crossbar (D) to the electric box. Crossbar is shipped attached to canopy.
4. **Note:** A new electric box comes with screws. When replacing a fixture retain the existing screws for use with the new fixture.
5. Height of fixture can be set before attaching the fixture to the ceiling. Remove screws w/lock washers (R) and canopy plate (Q) from canopy (G). If height is going to stay at max length or just a slight height adjustment is needed it may not be necessary to remove the canopy plate.

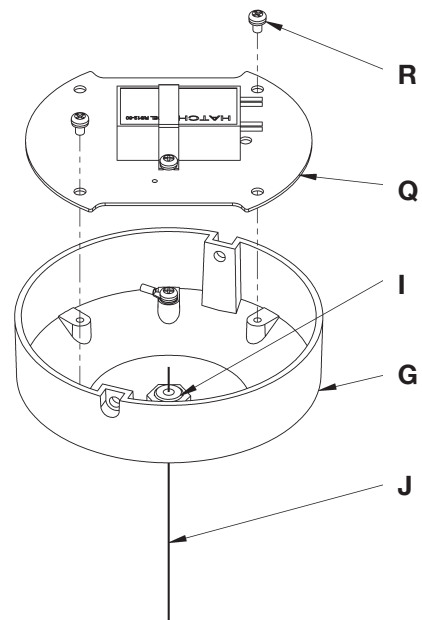
**Note:** Fixture is shipped at max height.

6. Push supply/support cable (J) into canopy gripper (I) until desired height is reached.
7. Coil supply/support cable (J) in canopy (G) and place canopy plate (Q) in canopy (G). Install screws w/lock washers (R) to secure plate.

**CAUTION:** BE SURE NOT TO PINCH THE SUPPLY/SUPPORT CABLE IN BETWEEN THE CANOPY (G) AND THE CANOPY PLATE (Q).



(Figure 1)



(Figure 2)

(Continued)

If you need further assistance, or find that you are missing any parts, please contact the dealer from which you purchased this product. We hope you enjoy your fixture!

\* Hubbardton Forge will not be liable for injury or damage caused by improper installation, lamping or use of this fixture.

### To Install the Canopy (Figures 1, 2 & 3)

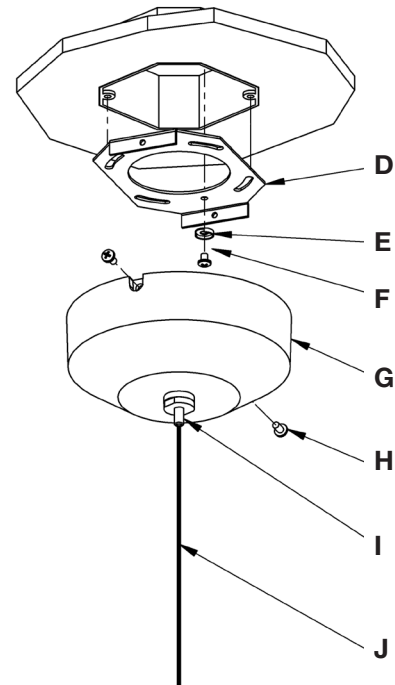
(Continued)

- Using suitable wire connectors (not provided) connect fixture wires to supply wires (white to white or ribbed side of the fixture cord, black to black or smooth side). Run a pigtail lead from crossbar ground screw (F) to the junction box and connect all ground wires (bare copper or green to bare copper or green).

**CAUTION:** MAKE SURE WIRE CONNECTORS ARE TWISTED ON SECURELY, AND NO BARE WIRE IS EXPOSED.

- Raise canopy (G) close to ceiling and align with holes in crossbar (D) and secure with (2) #8 screws (H).
- If fixture needs to be lowered to achieve desired height, loosen knob and push up on canopy gripper (I) and gently pull down on supply/support cable (J).

**Note:** Excessive movement of cable through the gripper could cause cable to fray slightly. Adjustment is for initial installation only. Repeated adjustment is not recommended.



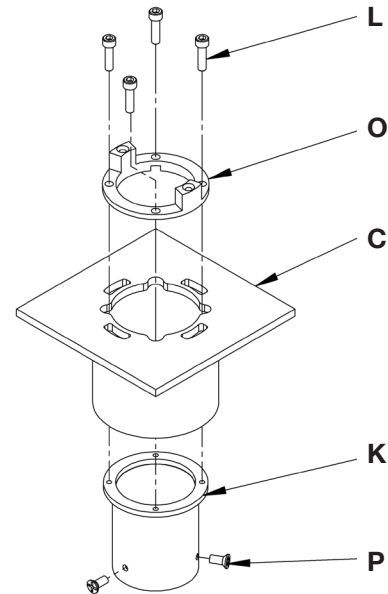
(Figure 3)

### To Assemble Glass or Screen Option (Figures 4, 5 & 6)

#### Component Parts

|                   |                        |
|-------------------|------------------------|
| C Bottom Assembly | N Glass Tube           |
| K Tube Assembly   | O Retainer             |
| L 6-32 Screws (4) | P Flat Head Screws (3) |
| M Screen          |                        |

- Remove tube assembly (K) from bottom assembly (C) by removing four 6-32 screws (L) and separating tube assembly (K) from retainer (O). Set all parts to the side for later use (Figure 6).
- Remove flat head screws (P) from tube assembly (K) and set aside for later use.
- Thread screws (P) through either screen (M) or glass tube (N) depending on option purchased and into tube assembly (K).
- Tighten the three screws (P) equally into tube assembly so that screen or glass is centered.



(Figure 4)

(Continued)

If you need further assistance, or find that you are missing any parts, please contact the dealer from which you purchased this product. We hope you enjoy your fixture!

\*Hubbardton Forge will not be liable for injury or damage caused by improper installation, lamping or use of this fixture.

# Installation Instructions

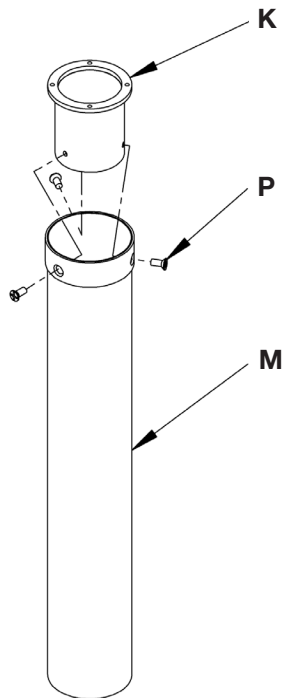
A321

Airis Low Voltage Pendants 161020 & 161025

Page 3 of 4

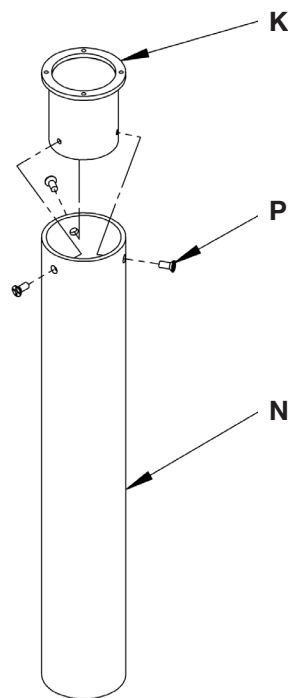
## To Assemble Glass or Screen Option (Figures 4, 5 & 6)

(Continued)



SCREEN OPTION

(Figure 5)



GLASS OPTION

(Figure 6)

(Continued)

If you need further assistance, or find that you are missing any parts, please contact the dealer from which you purchased this product. We hope you enjoy your fixture!

\* Hubbardton Forge will not be liable for injury or damage caused by improper installation, lamping or use of this fixture.

# Installation Instructions

A321

Airis Low Voltage Pendants 161020 & 161025

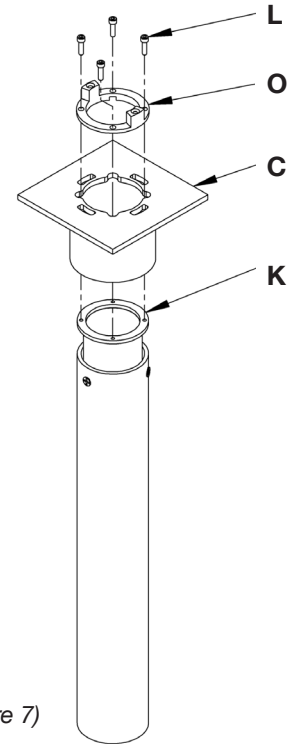
Page 4 of 4

## To Re-Assemble Bottom (Figure 7)

### Component Parts

- C Bottom Assembly
- K Tube Assembly
- L 6-32 Screws (4)
- O Retainer

1. Slip 6-32 screws (L) through retainer (O) and bottom assembly (C). Thread screws (L) into tube assembly (K) and tighten with supplied Allen wrench.



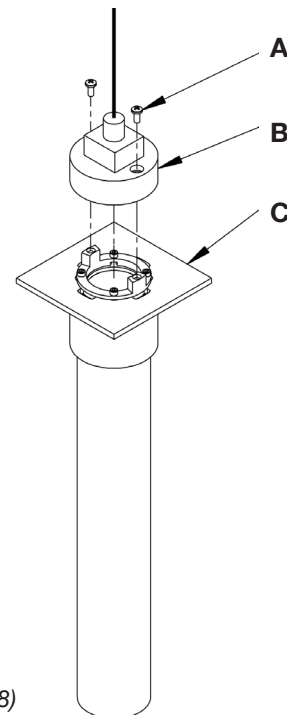
(Figure 7)

## To Install Bulb & Complete Assembly (Figure 8)

### Component Parts

- A 8-32 Screw (2)
- B Top Assembly
- C Bottom Assembly

1. Install light bulb (not included).
2. Install 8-32 screws (A) through top assembly (B) and thread into bottom assembly (C). To replace bulb the two 8-32 (A) screws are removed to separate bottom assembly from top assembly.
3. Restore electricity at main breaker.



(Figure 8)

If you need further assistance, or find that you are missing any parts, please contact the dealer from which you purchased this product. We hope you enjoy your fixture!

\*Hubbardton Forge will not be liable for injury or damage caused by improper installation, lamping or use of this fixture.