

# VAPOR

## 2854BZ

### MEDIUM WALL MOUNT LANTERN

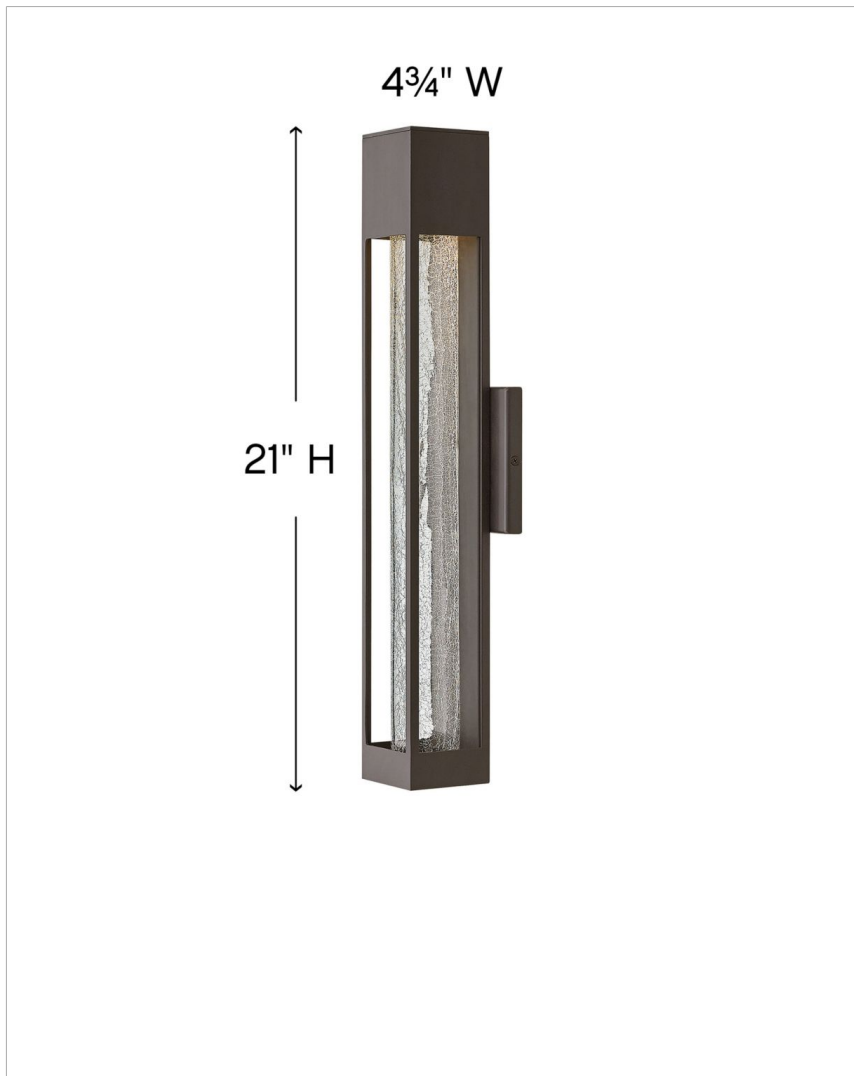
Vapor's streamlined profile allows the spectacular crackled glass to star in this captivating design. The low profile back plate and stamped metal construction project a sleek, contemporary style statement.

DETAILS	
FINISH:	Bronze
MATERIAL:	Aluminum
GLASS:	Crackle

DIMENSIONS	
WIDTH:	4.8"
HEIGHT:	21"
WEIGHT:	3.5 lbs.
BACK PLATE:	4.75" Sq.
EXTENSION:	3.8"
TOP TO OUTLET:	10.5"

LIGHT SOURCE	
LIGHT SOURCE:	Socket
WATTAGE:	1-35w GU10
VOLTAGE:	120v

SHIPPING	
CARTON LENGTH:	10"
CARTON WIDTH:	7.5"
CARTON HEIGHT:	24"
CARTON WEIGHT:	5 lbs.



#### PRODUCT DETAILS:

- Mounting hardware is hidden on the backplate to ensure a clean silhouette.
- Suitable for use in wet (interior direct splash and outdoor direct rain or sprinkler) locations as defined by NEC and CEC. Meets United States UL Underwriters Laboratories & CSA Canadian Standards Association Product Safety Standards
- Fixture is ADA compliant and adheres to the standards and guidelines listed by the Americans with Disabilities Act.
- Vapor's stunning crackled glass casts spectacular light patterns, adding dramatic visual interest at night.
- 2 year finish warranty
- Bold lines and a clean, minimalist style complement contemporary architecture
- For LED lamping, a 6.5w GU10 LED lamp is recommended: GU10LED-6.5
- Warm rich light bronze tone

# HINKLEY

HINKLEY  
33000 Pin Oak Parkway  
Avon Lake, OH 44012

PHONE: (440) 653-5500  
Toll Free: 1 (800) 446-5539

[hinkley.com](http://hinkley.com)