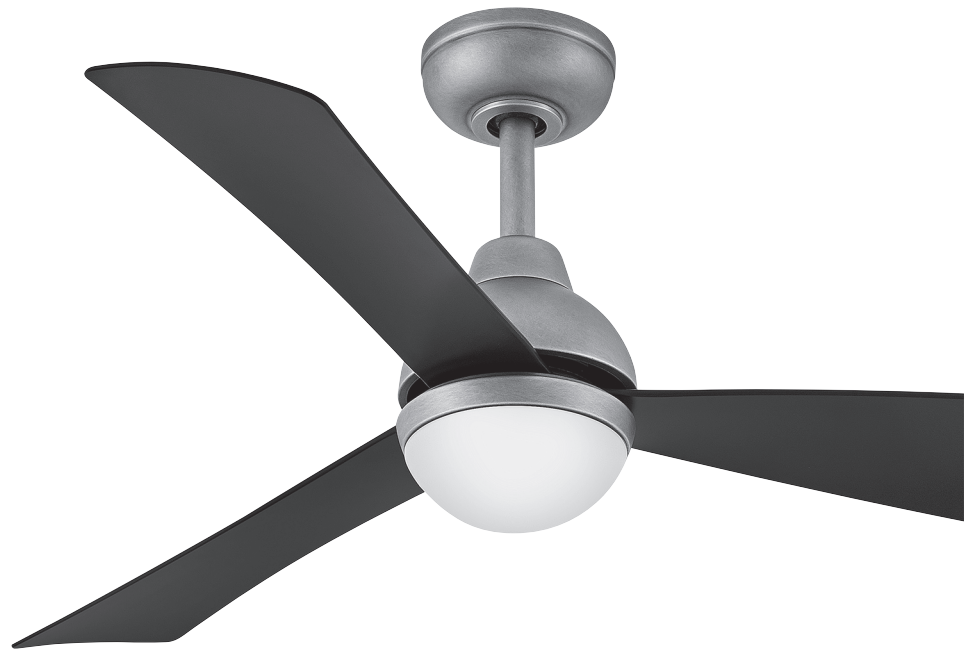


HINKLEY

# 44" UNA™

INDOOR / OUTDOOR LED FAN



DAMP



DC MOTOR



LED



CERTIFIED



WIFI



---

CEILING FAN INSTRUCTION MANUAL



HINKLEY

PAIR WITH HINKLEY APP

DOWNLOAD ON APP STORE or GOOGLE PLAY

## WE WANT YOU TO LOVE YOUR NEW FAN

SO WE'RE HERE IF YOU HAVE A QUESTION, NEED SOME HELP OR WANT TO CHAT ABOUT OUR PRODUCTS. SEND SUGGESTIONS OUR WAY TOO—WE'RE ALWAYS LOOKING TO MAKE YOUR EXPERIENCE WITH HINKLEY A POSITIVE ONE.

> [SERVICE@HINKLEY.COM](mailto:SERVICE@HINKLEY.COM)

> [800.HINKLEY](tel:800.HINKLEY)

> [LET'S SEE THAT HINKLEY STYLE @HINKLEY](#)  
[#HINKLEYSTYLE](#)

---

This manual contains complete instructions for the installation and operation of this fan. It has been designed to make the installation process as easy as possible. If you are unfamiliar or uncomfortable with wiring, please contact a qualified electrician. If you need additional assistance or have any questions, please reach out to us.

---

For warranty information, visit [hinkley.com](http://hinkley.com).

## TABLE OF CONTENTS

02	GENERAL INSTALLATION & OPERATING INSTRUCTIONS	10	INSTALLING THE ADAPTER PLATE
03	IMPORTANT SAFETY PRECAUTIONS	11	INSTALLING THE LIGHT KIT AND GLASS SHADE
03	TOOLS & MATERIALS REQUIRED	12	INSTALLING THE WALL CONTROL
04	UNPACKING YOUR FAN	14	OPERATION
05	PREPARATION	16	CARE AND CLEANING
05	INSTALLING THE HANGING BRACKET	16	TROUBLESHOOTING
06	HANGING THE FAN	17	ENERGY GUIDE
08	ELECTRICAL CONNECTIONS	17	SPECIFICATIONS
09	FINISHING THE INSTALLATION	18	DOWNLOADING THE HINKLEY APP
10	BLADE ATTACHMENT		

### WARNING:

Read and follow these instructions carefully and be mindful of all warnings shown throughout.

## GENERAL INSTALLATION & OPERATION INSTRUCTIONS

- 1 To ensure the success of the installation, be sure to read the instructions and review the diagrams thoroughly before beginning.
- 2 To avoid possible electric shock, be sure electricity is turned off at the main power box before wiring. All electrical connections must be made in accordance with local codes, ordinances and/or the National Electric Code. If you are unfamiliar with the methods of installing electrical wiring and products, secure the services of a qualified and licensed electrician as well as someone who can check the strength of the supportive ceiling members and make the proper installation(s) and connections.
- 3 **WARNING:** To reduce the risk of fire, electric shock, or other personal injury, mount fan only on an outlet box or supporting system marked acceptable for fan support of 35 lbs (15.9 kg) or less and use mounting screws provided with the outlet box. Most outlet boxes commonly used for the support of lighting fixtures are not acceptable for fan support and may need to be replaced. Consult a qualified electrician if in doubt.
- 4 Make sure that your installation site will not allow rotating fan blades to come in contact with any object. Blades should be at least 7 feet from floor.
- 5 Blades should be attached after motor housing is hung and in place. Fan motor housing should be kept in the carton until ready to be installed to protect its finish. If you are installing more than one ceiling fan, make sure that you do not mix fan blade sets, as each blade is part of a weighted set.
- 6 After making electrical connections, spliced conductors should be turned upward and pushed carefully up into outlet box. The wires should be spread apart with the common conductor and the grounding conductor on one side of the outlet box, and the "HOT" wires on the other side.
- 7 Electrical diagrams are for reference only. Light kits that are not packed with the fan must be UL listed and should be installed per the light kit's installation instructions.
- 8 After fan is completely installed, check to make sure that all connections are secure to prevent fan from falling and/or causing damage or injury.
- 9 The fan can be made to work immediately after installation - the bearings are adequately charged with grease so that, under normal conditions, further lubrication should not be necessary for the life of the fan.
- 10 To operate the reverse function on this fan, press the reverse button while the fan is running.
- 11 **CAUTION:** Do not ingest battery - Chemical burn hazard. Keep new and used batteries away from children.
- 12 The remote control supplied with a coin/button cell battery. If the coin/button cell battery is swallowed, it can cause severe internal burns in just 2 hours and can lead to death.
- 13 If the battery compartment does not close securely, stop using the product and keep it away from children.
- 14 If you think batteries might have been swallowed or placed inside any part of the body, seek immediate medical attention.

## IMPORTANT SAFETY PRECAUTIONS

### WARNINGS:

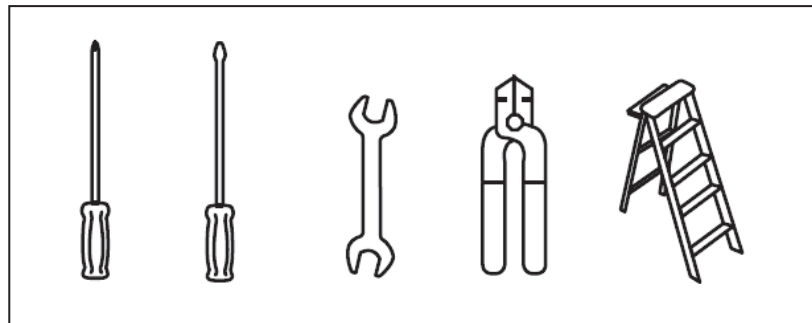
- Disconnect power by removing fuse or turning off circuit breaker before installing the fan and/or optional lighting.
- Support directly from building structure.
- To reduce the risk of fire, electric shock or personal injury, mount to outlet box marked "acceptable for fan support" and use mounting screws provided with the outlet box. Most outlet boxes commonly used for the support of lighting fixtures are not acceptable for fan support and may need to be replaced. Consult a qualified electrician if in doubt.
- Do not use an incandescent light dimmer. Do not use this fan with any transformer type fan speed control device.
- To reduce the risk of personal injury, do not bend the blade arms when installing them, balancing the blades or cleaning the fan. Do not insert any object(s) between rotating fan blades.

### NOTE:

The important precautions, safeguards and instructions appearing in this manual are not meant to cover all possible conditions and situations that may occur. It must be understood that common sense, caution and carefulness are factors which cannot be built into this product. These factors must be supplied by the person(s) installing, caring for and operating the unit.

## TOOLS & MATERIALS REQUIRED

- PHILLIPS SCREWDRIVER
- FLAT SCREWDRIVER
- WRENCH OR PLIERS
- WIRE CUTTER
- STEPLADDER
- WIRING SUPPLIES AS REQUIRED BY ELECTRICAL CODE



## UNPACKING YOUR FAN

### UNPACK YOUR FAN AND CHECK THE CONTENTS.

- Do not discard the carton. If warranty replacement or repair is ever necessary, the fan should be returned in original packing. Remove all parts and hardware. Do not lay motor housing on its side, or the decorative housing may shift, be bent or damaged.
- Examine all parts. You should have the following:

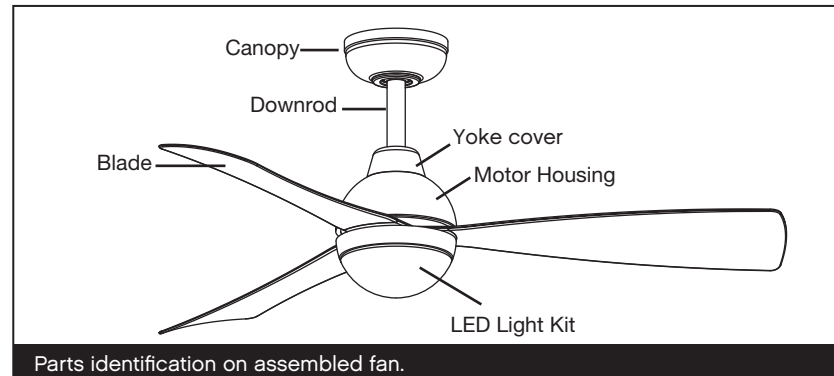
		<b>VERGE PACKAGE CONTENT</b>	
1	Blade Set of 3	BL905644Fxx	
2	Blade support plates	In Hardware Bag	
3	Hanging Bracket	CA902672Fxx	
4	Ceiling Canopy and Trim Ring		
5	Downrod Asm.	DR94016Fxx	
6	Yoke cover	YC905644Fxx	
7	Fan Housing with Motor *Remove rubber shipping supports around motor, if applicable. Save the screws.	X	
8	Adapter Plate	AP905644Fxx	
9	16W LED Assembly	LK905644	
10	Glass Shade	GL905644OPET	
11	Receiver Incl. 5 Wire Nuts	CWT905644	
12	HIRO Wall Control w/2032 Battery, Cradle A, Wall Plate, Face Plate, 2 Mounting Screws, Cradle B (for flat wall use only)	980014FWH-R	
13	<b>Hardware Bag</b>		
	Bracket Mounting Hardware (wood screws, screws, lock washers, star washers, flat washers, wire nuts), Blade to Motor Screws w/Lock Washers, Balance Kit, Safety cable hardware (wood screw, flat washer)	MH905656	
XX=FAN FINISH			
<p><b>NOTE:</b> Design of parts shown above may look slightly different for your specific model of fan.</p>			

## PREPARATION

### PREPARATION:

Verify you have all parts before beginning the installation. Check foam insert closely for missing parts. Remove motor from packing. To avoid damage to finish, assemble motor on soft padded surface or use the original foam inset in motor box.

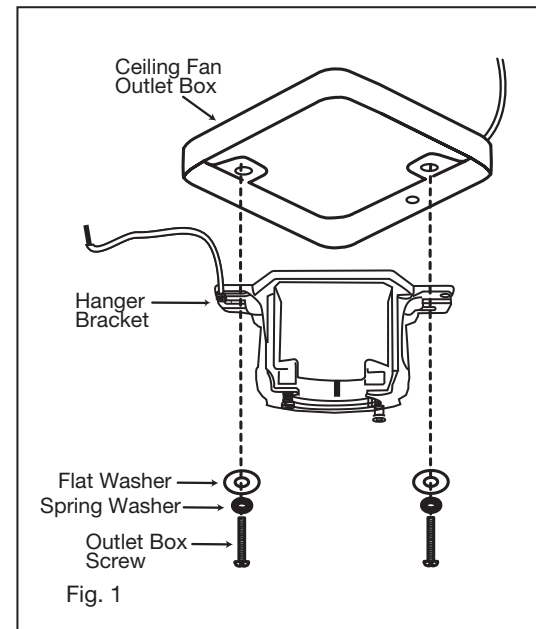
**DO NOT LAY MOTOR HOUSING ON ITS SIDE AS THIS COULD RESULT IN SHIFTING OF MOTOR IN DECORATIVE ENCLOSURE.**



## INSTALLING THE HANGING BRACKET

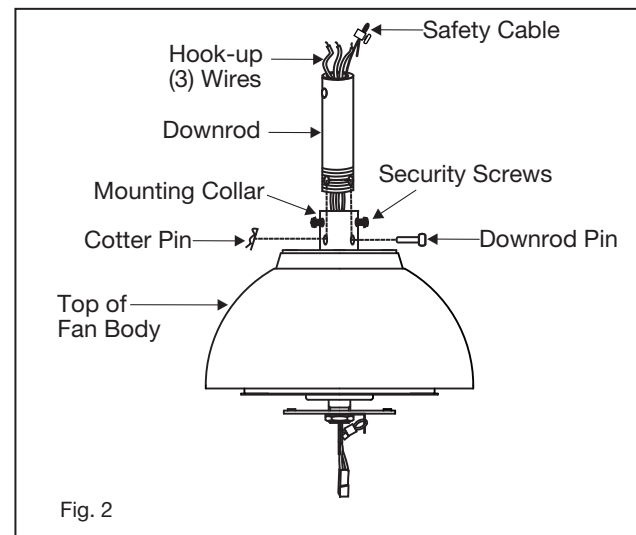
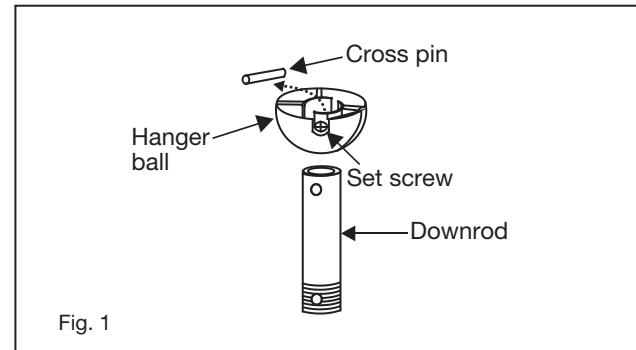
**CAUTION:** To avoid possible electrical shock, be sure electricity is turned off at the main power box before wiring. All wiring must be in accordance with National and Local Electrical Codes and the ceiling fan must be grounded as a precaution against possible electric shock.

- 1 Locate ceiling joist where fan is to be mounted, being sure location agrees with the requirements in the minimum clearance section of this guide. Wood joists must be sound and of adequate size to support 35 pounds (See page 2, items 3 and 4).
- 2 If not already present, mount a UL listed outlet box marked "suitable for fan support" following the instructions provided with the outlet box. The outlet box must be able to support a minimum of 35 pounds.
- 3 Attach hanging bracket to outlet box using screws provided with the outlet box.



## HANGING THE FAN

- 1 Remove ball from downrod by loosening set screw in the side of the ball. Slide ball down and remove cross pin; remove ball. (Fig. 1)
- 2 Carefully support fan body (motor) in its styrofoam packing with the mounting collar (where the wires come out) facing upward.
- 3 Loosen the two security set screws and remove the downrod pin and cotter clip from the coupler on top of the motor assembly. (Fig. 2)
- 4 Carefully feed the electrical lead wires and safety cable from the fan through the downrod. Thread downrod into coupler until holes align. Insert downrod pin through holes in mounting collar and downrod; clip cotter pin through small hole in end of downrod pin to hold downrod in place.
- 5 Tighten security set screws against downrod using a large flat blade screwdriver to ensure a tight fit against downrod.





- 1 Slip the yoke cover, trim ring and canopy onto the downrod. (Fig. 3)
- 2 Slide the hanger ball onto the downrod, insert the cross pin through the downrod and tighten. Tighten the set screw.

**NOTE:**

Fan has 6 feet of hook-up wire in case you are using a long extension downrod.

- 3 Lift ball/downrod/fan into hanger bracket opening. **NOTE:** The tab opposite hanger bracket opening should fit in slot on ball. (Fig. 4)

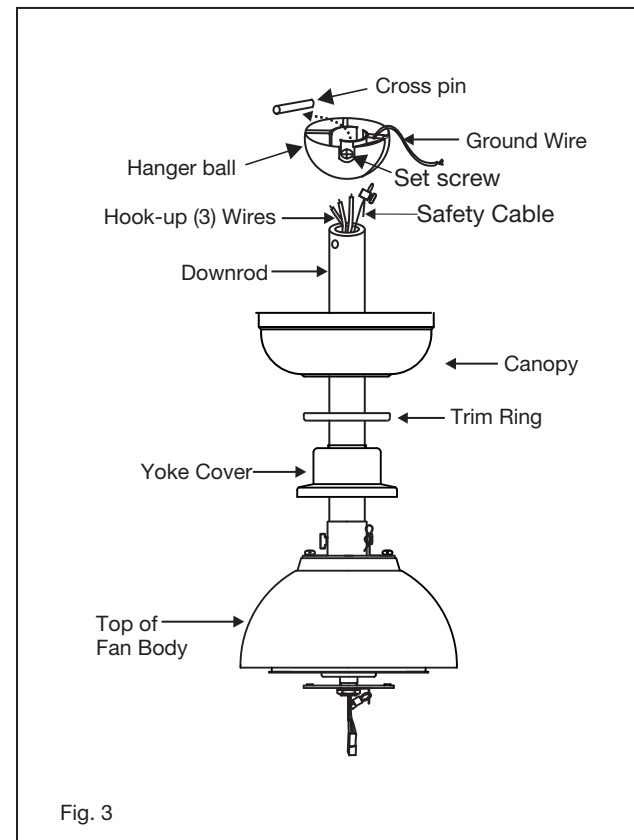


Fig. 3

### INSTALLATION OF SAFETY CABLE SUPPORT

Attach the wood screw and the flat washer to the ceiling joist as shown (do not fully tighten). Slide the cable clamp onto the safety cable from the fan. Loop the safety cable around the wood screw that was just attached to ceiling joist. Feed the end of the cable into the clamp and pull as much cable through as possible. Firmly tighten screw in the clamp. Cut off excess cable and tighten the wood screw to ceiling joist.

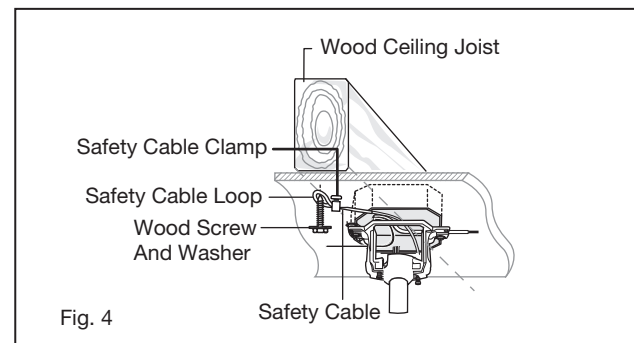


Fig. 4

## ELECTRICAL CONNECTIONS

**REMEMBER** -Turn off the power! **NOTE** - Control must be installed within 30 feet of fan.

**WARNINGS:** Check to see that all connections are tight, including ground, and that no bare wire is visible at the wire nuts, except for the ground wire.

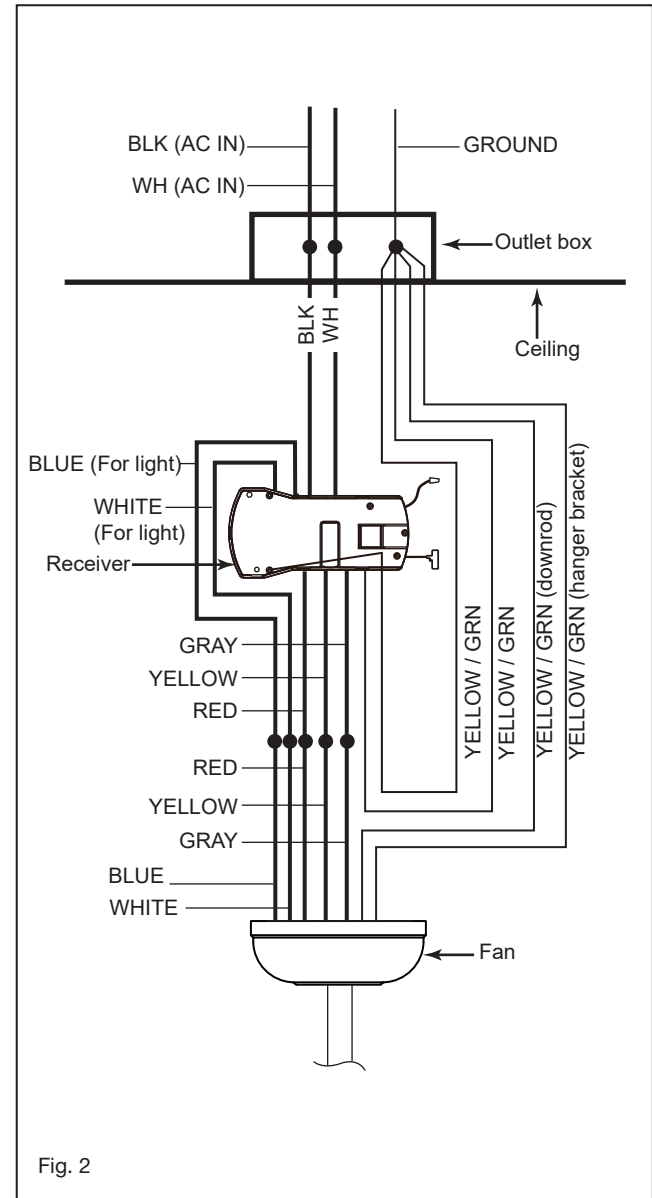
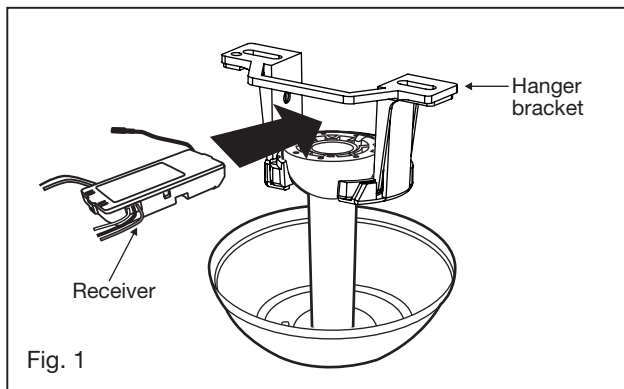
**CAUTION:** To reduce the risk of electric shock, this fan must be installed with an isolating wall control/switch.

1. Insert the receiver into the ceiling mounting bracket with the flat side of the receiver facing the ceiling. (Fig. 1) For best performance, make sure the Black Antenna and WIFI Antenna, on the end of the receiver, remains extended and not tangled with any of the electrical wires.
2. Make wire connections from the fan to the receiver unit. For this step use the bundle of 5 wires on the receiver. (Fig. 2)

Connect the YELLOW fan wire to the YELLOW receiver wire.  
 Connect the GRAY fan wire to the GRAY receiver wire.  
 Connect the RED fan neutral wire to the RED receiver neutral wire.  
 Connect the WHITE neutral light kit lead from the fan to WHITE receiver lead marked "For Light".  
 Connect the BLUE light kit lead from the fan to BLUE receiver lead marked "For Light".  
 Wire colors out of the fan are blue/white for the light kit. Light kit leads from the controller/receiver are blue/white.

3. Connect the wiring from the ceiling to the receiver unit. (Use the 2 wire bundle on the receiver.) Secure with supplied wire nuts.

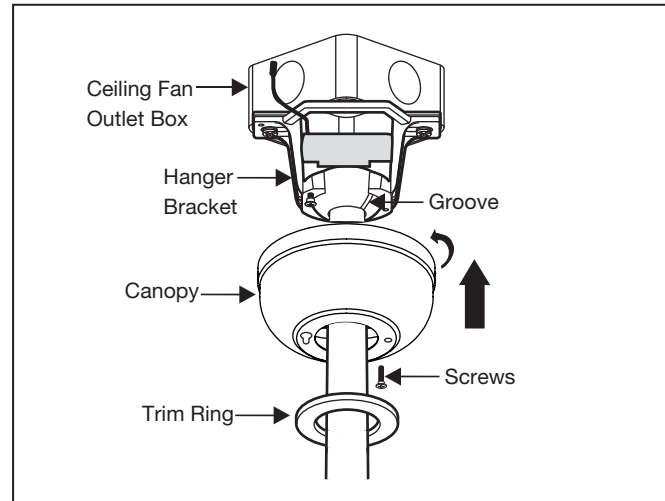
Connect the BLACK building supply wire to the BLACK receiver wire.  
 Connect the WHITE receiver neutral wire to the WHITE building neutral wire.  
 Connect the COPPER building ground wire to the 4 YELLOW/GREEN ground wires from the fan and receiver.



## FINISHING THE INSTALLATION

- 1 Tuck connections neatly into ceiling outlet box.
- 2 Remove one screw on bracket and slide the canopy up to mounting bracket and place the key hole on screw on the mounting bracket, turn canopy until it locks in place at the narrow section of the key holes.
- 3 Align the circular hole on canopy with the remaining hole on the mounting bracket, secure by tightening the two set screws.

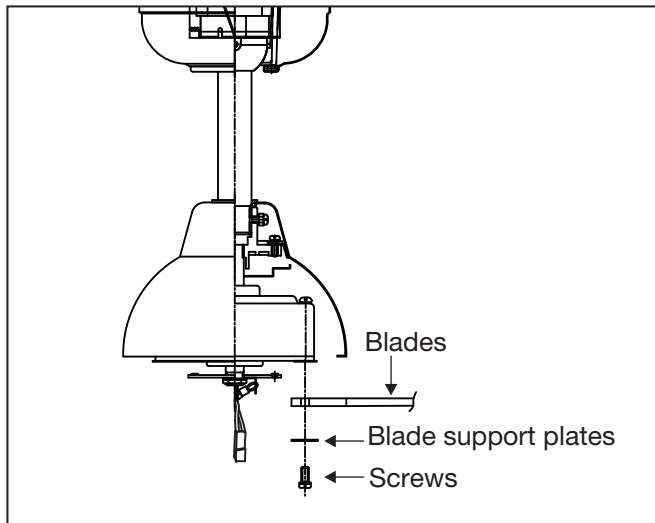
**NOTE:** Adjust the canopy screws as necessary until the canopy and trim ring are snug.



### WARNING:

Make sure the hook on the hanging bracket properly sits in the groove in the hanger ball before attaching the canopy to the bracket by turning the housing until it drops into place.

## BLADE ATTACHMENT



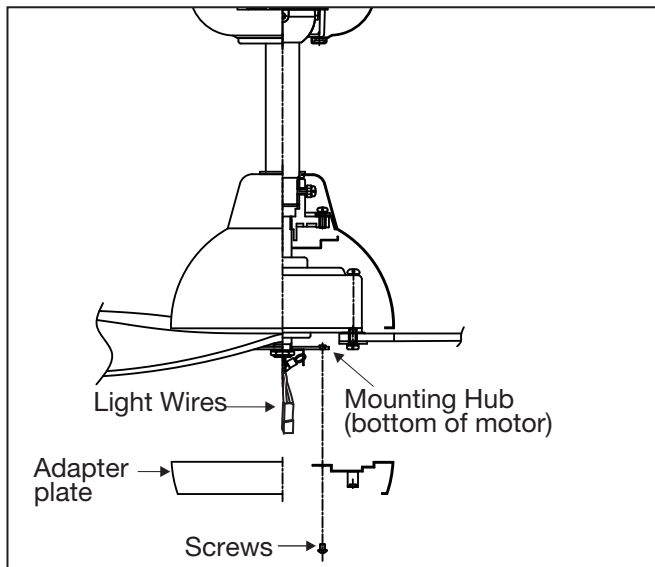
**CAUTION:** Remove the two rubber packing mounts from the fan motor assembly and discard prior to attaching the blades.

Insert the blade through the slot on the housing. Align the holes on the blade and the fan motor assembly and secure with the blade support plates and blade attachment screws.

### NOTE:

Cordless power screwdrivers are **NOT** recommended, as they usually strip the heads of the screws and usually will not fully compress the lock washers on the motor screws. Use a large flat blade screwdriver for final tightening to fully compress the washers. This will help ensure proper alignment of the blades and noise-free, wobble-free running.

## INSTALLING THE ADAPTER PLATE



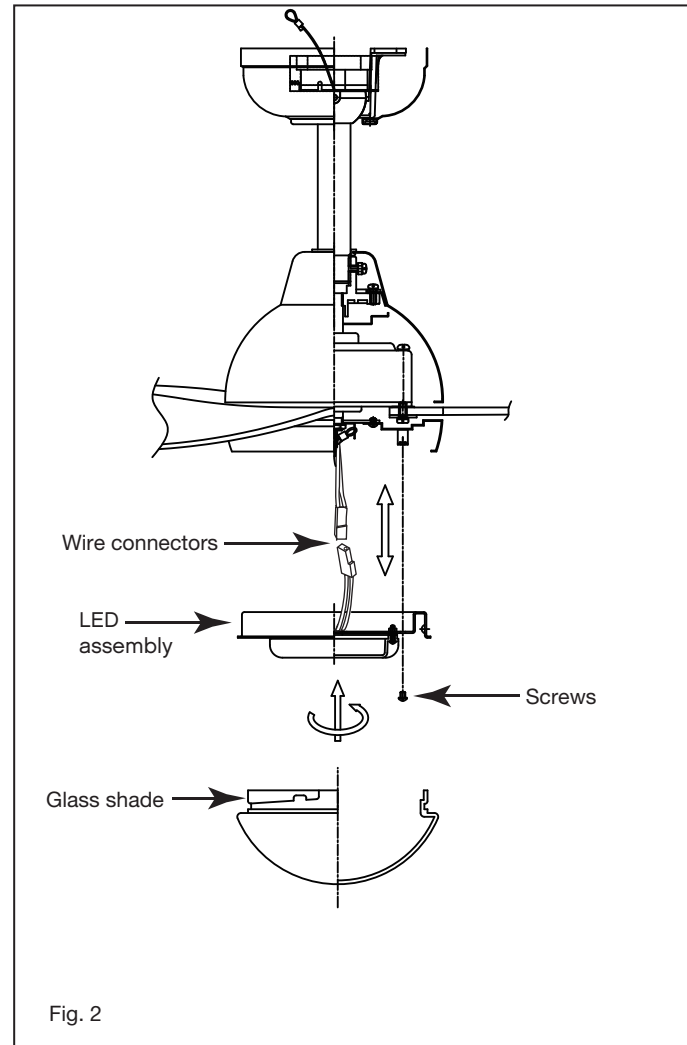
**NOTE:** Be sure the power is off before installing.

- 1 Remove one of the three screws on the mounting hub located on the fan motor. Loosen the other 2 screws. (Do not remove)
- 2 Pass the light wires through the center hole of the adapter plate.
- 3 Place the key holes on the adapter plate over the 2 screws previously loosened, turn the adapter plate until it locks in place at the narrow section of the key holes. Secure by tightening the 2 screws previously loosened and the one previously removed.

## INSTALLING THE LED ASSEMBLY AND GLASS SHADE

**NOTE:** Be sure the power is off before installing.

- 1 Remove one of the three screws on the adapter plate located on the fan motor. Loosen the other 2 screws. (Do not remove) (Fig. 2)
- 2 While holding the LED assembly under your fan, make the polarized plug connections: (Fig. 2)
  - White to white
  - Black to black
- 3 Tuck connections neatly into adapter plate. Place the key holes on the LED assembly over the 2 screws previously loosened, turn the LED assembly until it locks in place at the narrow section of the key holes. Secure by tightening the 2 screws previously loosened and the one previously removed.
- 4 Raise the glass shade against the LED assembly and turn clockwise until snug, DO NOT OVERTIGHTEN.
- 5 Restore power and your LED assembly is ready for operation.



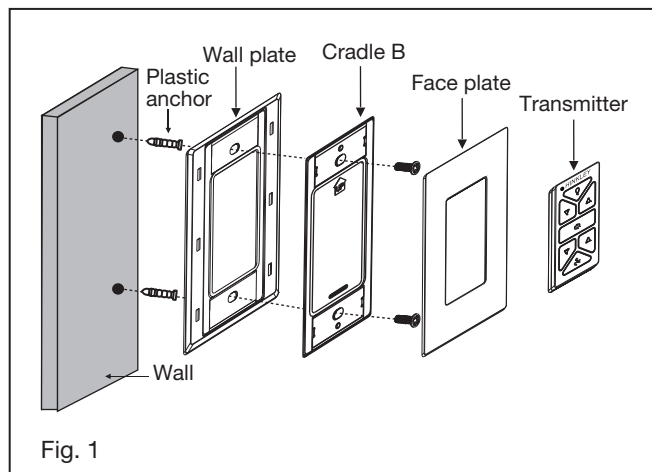
## INSTALLING THE WALL CONTROL

**REMEMBER** to turn off the power before you begin.

**NOTE** - Secures to any surface or application: flat wall, single gang box, multi gang box.

### Option 1. Flat Surface Installation

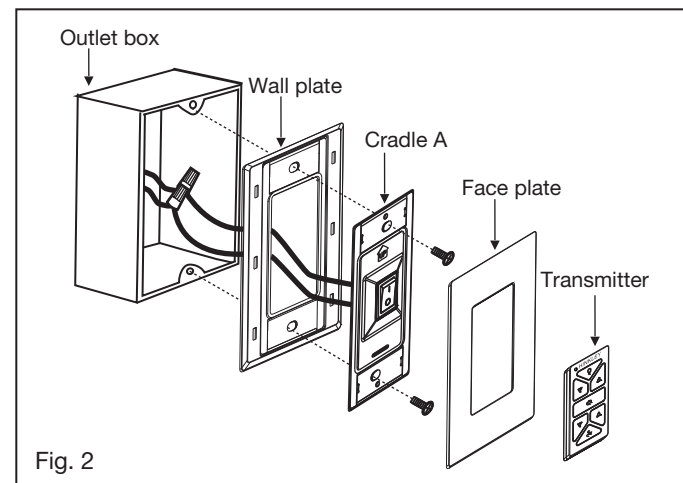
- 1 Select a desired location. Use the wall plate to mark the location of the mounting holes. Plastic wall anchors or mounting screws are needed for this application. (Fig. 1)
- 2 Seat the cradle B into the wall plate. Secure the wall plate to the wall using the provided hardware.
- 3 Snap the face plate cover onto the wall bracket.
- 4 Remote transmitter will be held in place with built in magnets.



**HIRO HIRO Control System**

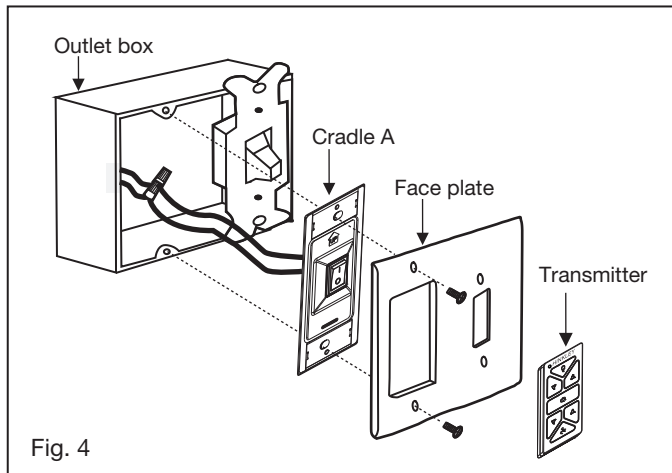
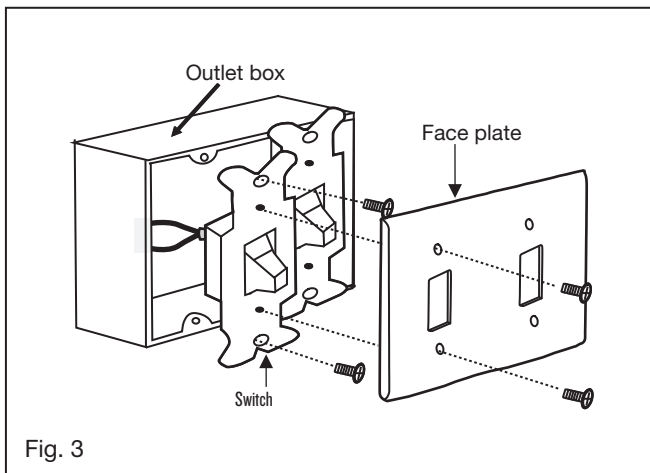
### Option 2. For single gang box

- 1 Remove the existing wall plate and the old switch from the wall outlet box.
- 2 Seat the cradle A into the wall plate. (Fig. 2)
- 3 Connect the black lead wires from the switch in the cradle A to the black wires in the switch box. Hot input wire to one of the cradle A switch leads. Power lead to the fan is connected to the remaining switch lead.
- 4 Connect the wall plate / cradle A assembly to the wall outlet box using the supplied hardware.
- 5 Snap the face plate cover onto the wall bracket.
- 6 Remote transmitter will be held in place with built in magnets.



### Option 3. Multi Gang Wall Switch Box Installation

- 1 Remove the existing wall plate and old switch from the wall outlet box. (Fig. 3)
- 2 Connect the black lead wires from the switch in the cradle A to the black wires in the switch box. Hot input wire to one of the cradle switch leads. Power lead to the fan is connected to the remaining switch lead. (Fig. 4)
- 3 Attach the cradle A to the wall switch box using the supplied hardware.
- 4 Attach the multi-gang faceplate (not provided) to the switch set in the wall outlet box. Cradle A of Hinkley switch will fit in any standard decora face plate.
- 5 Remote transmitter will be held in place with built in magnets.



 **HIRO HIRO Control System**

## OPERATION






Your DC brushless motor is equipped with an automatically learned type remote control. There is no frequency switches on the receiver or transmitter. The fan can start to use once the pairing process is done.

Remove the panel from the transmitter and then install one 2032 battery (included). You need to use a coin to open or close the battery cover. To prevent damage to transmitter, remove the battery if not use for long periods of time (Fig. 1)

**WARNING:** Chemical Burn Hazard. Keep batteries away from children.

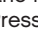
This product contains a lithium button/coin cell battery. If a new or used lithium button/coin cell battery is swallowed or enters the body, it can cause severe internal burns and can lead to death in as little as 2 hours. Always completely secure the battery compartment. If the battery compartment does not close securely, stop using the product, remove the batteries, and keep it away from children. IF you think batteries might have been swallowed or placed inside any part of the body, seek immediate medical attention.

The batteries shall be disposed of properly, including keeping them away from children; Even used cells may cause injury.

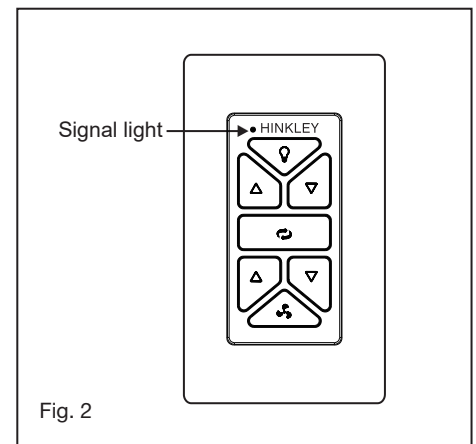
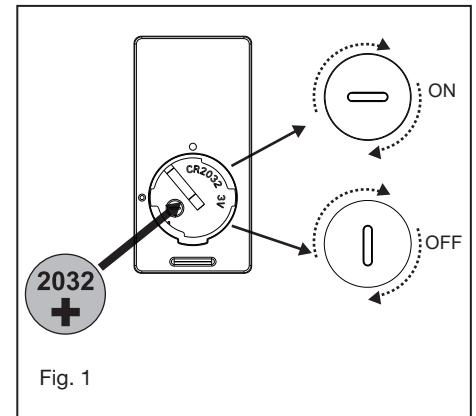
- 1  button:  
Press this button and release instantly to turn on or off the light.
- 2  button:  
Press and hold to dim or brighten lights to the desired level and release.
- 3  button:  
Press this button to set fan wind direction up or down.
- 4  button:  
Press button for turn on and setting 1-6 fan speed.
- 5  button:  
Press this button to turn the fan off or on.
- 6 Signal light (Fig. 2)

### Pairing Process

**NOTE: If installing/pairing more than one fan in an area, the power must be disconnected from all fans except the one fan being paired.**

With the fan's power off, restore power to the fan. Press and hold “” button for about 5 seconds and release. If optional light kit is installed, the light kit will flash three times and the motor spin up for 10 seconds on low speed. The fan has completed the pairing process with the wall control and is ready for use.

**NOTE:** A single fan can be controlled with as many as 3 wall controls in one room. Every control will need to repeat the pairing process based on instructions above and all controls must be within 30 feet of the fan.

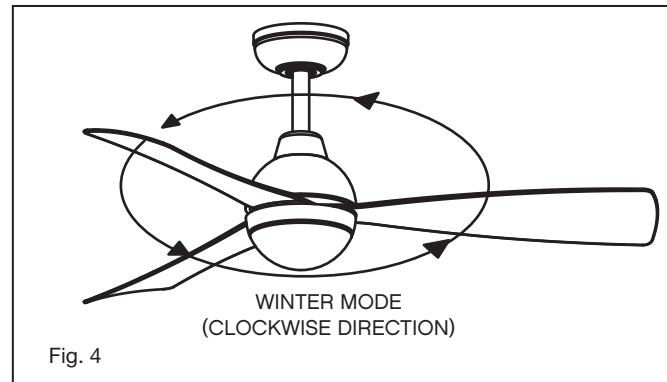
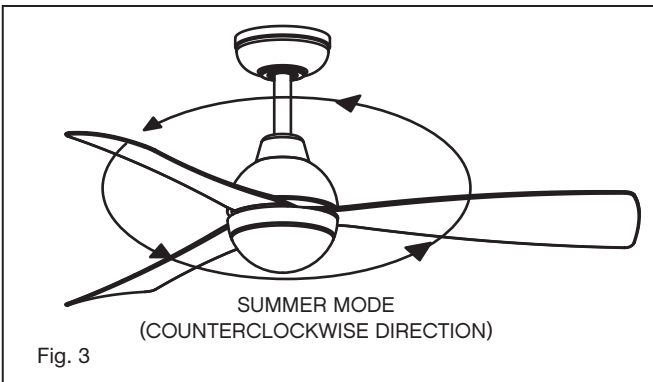


**HIRO HIRO Control System**



## Summer Mode and Winter Mode Operation

- 7 **IMPORTANT:** To prevent damage or cause injury, be sure that fan is switched to off and blades have stopped moving completely before attempting to change direction of rotation.
- 8 The reverse switch is located on the top of the motor housing. Slide the switch to the right for winter mode operation. Slide the switch to the left for summer mode operation. **Make sure switch is not stuck between forward and reverse positions.**
- 9 Summer Mode (forward):  
A DOWNWARD airflow creates a cooling effect as shown in Figure 3. This allows you to set your air conditioner on a warmer setting without affecting your comfort.
- 10 Winter Mode (Reverse):  
An UPWARD airflow moves warmer air off the ceiling area as shown in Figure 4. This allows you to set your heating unit on a cooler setting without affecting your comfort.



## CARE AND CLEANING

Periodically it may be necessary to re-tighten blade to blade arm screws or blade arm to motor screws to prevent clicking or humming sound during operation. This is especially true in climates with broad temperature and humidity ranges.

When dusting the blades, you must support the blade to prevent bending - no pressure should be applied to the blades. If you experience any flaws in the operation of your fan, please check the following points.

## TROUBLESHOOTING

### CAUTION:

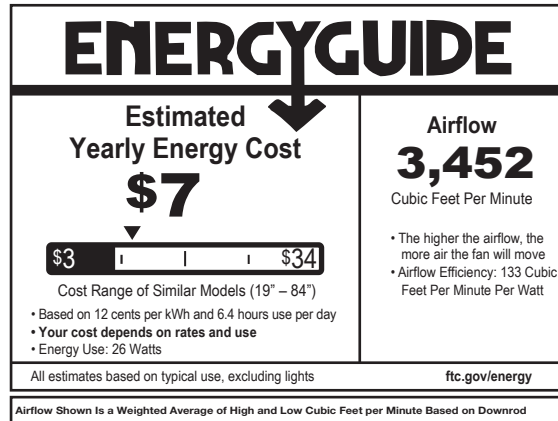
Switch off power supply before carrying out any of these checks.

PROBLEM	SOLUTION
FAN WILL NOT START	<ol style="list-style-type: none"><li>1. Check circuit fuses or breakers.</li><li>2. Check wall control LED indicator light. If LED is not illuminated when pushing a button, it is not transmitting a signal. Please check power to wall control/circuit breaker and all electrical connections.</li><li>3. Assure there are no more than 2 fans operating on a circuit through the wall control. Assure that there are no more than 12 fans operating on a circuit through an on/off wall switch or a breaker (not through a wall control).</li><li>4. Assure that the fan is within range of the WiFi (150 ft.) or wall control (30 ft.).</li></ol>
FAN SOUNDS NOISY	<ol style="list-style-type: none"><li>1. Allow a 24-hour "breaking-in" period. Most noise associated with a new fan will disappear during this time.</li><li>2. Make sure all motor housing screws are securely fastened.</li><li>3. Make sure the screws that attach the fan blade to the fan are tight.</li><li>4. Make sure your ceiling box is secure and rubber isolator pads are used between the mounting bracket and outlet box.</li></ol>
FAN WOBBLER	<ol style="list-style-type: none"><li>1. Check that all blade and blade arm screws are secure.</li><li>2. If the blade wobble is still noticeable, interchanging two adjacent (side by side) blades can redistribute the weight and possibly result in smoother operation.</li><li>3. Check to assure all dowrods to motor hardware and/or hanger ball are tight.</li><li>4. Make sure ceiling box is secure.</li></ol>

## ENERGY GUIDE

## SPECIFICATIONS

### AVERAGE PERFORMANCE AND ENERGY INFORMATION



PERFORMANCE SPECIFICATIONS	STANDARD	
	HIGH SPEED	LOW SPEED
Airflow (CFM)	5504	1127
Energy Use (Watts)	39.9	2.6
Airflow Efficiency (CFM/W)	138	438
Energy Costs (Yearly)	\$7	\$1
Amps	0.56	0.04
RPMs	200	45

## DOWNLOADING THE HINKLEY APP

### HINKLEY APP INSTRUCTIONS:

In addition to the included wall control, you can control your Hinkley fan through the Hinkley app.

- To use the **Hinkley app**, download it for free from the App Store or Google Play.
- Open the **Hinkley app** where you will be prompted to create an account.
- Enter all necessary information to create an account.
- After account is created you will receive a verification code email to finish setting up the **Hinkley app** (Check spam folder if email is not received.)
- Confirm Bluetooth is enabled to allow the fan and **Hinkley app** to connect to each other.
- Click add a device on the home screen and select desired fan.
- The **Hinkley app** will then have you enter in WiFi name and password.
- Click done on **the Hinkley app** to complete connecting the fan.
- The **Hinkley app** will have options on the main screen for fan speeds, dimming and setting timers
- Scan the QR code below for more information on the **Hinkley app** operation.



SCAN FOR ADDITIONAL DETAILS

HINKLEY IS PROUD TO PROVIDE YOU WITH CEILING FAN PRODUCTS THAT ENHANCE YOUR SPACE WITH COMFORT, PURPOSE AND STYLE. AS A FAMILY COMPANY, WE ARE COMMITTED TO DESIGN, PERFORMANCE AND QUALITY, AND WHAT'S IMPORTANT TO YOU IS PARAMOUNT TO US.

**FOR A COMPLETE ASSORTMENT OF OUR PRODUCTS AND SOURCE BOOKS, VISIT [HINKLEY.COM](http://HINKLEY.COM).**

# HINKLEY

## **GLOBAL HEADQUARTERS**

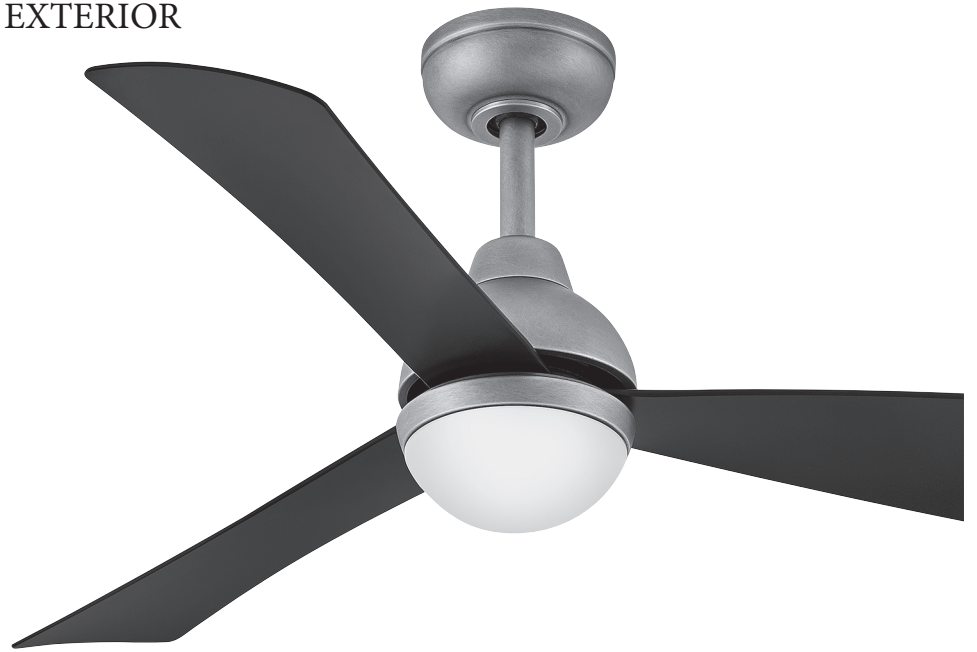
33000 Pin Oak Parkway | Avon Lake, Ohio 44012

T (440) 653 5500 | F (440) 653 5555 | [hinkley.com](http://hinkley.com)

HINKLEY

# 44" UNA™

VENTILADOR LED  
INTERIOR / EXTERIOR



DAMP



DC MOTOR



LED



CERTIFIED



WIFI

 HIRO

---

MANUAL DE INSTRUCCIONES  
DEL VENTILADOR DE TECHO



HINKLEY

EMPAREJAR CON LA APLICACIÓN HINKLEY  
DESCARGAR EN APP STORE o GOOGLE PLAY

## **QUEREMOS QUE AMES A TU NUEVO VENTILADOR**

ASÍ QUE ESTAMOS AQUÍ SI TIENE UNA PREGUNTA,  
NECESITA AYUDA O QUIERE HABLAR SOBRE NUESTROS  
PRODUCTOS. ENVÍE SUGERENCIAS NUESTRO CAMINO  
TAMBIÉN: SIEMPRE ESTAMOS BUSCANDO HACER QUE  
SU EXPERIENCIA CON HINKLEY SEA POSITIVA.

> **SERVICE@HINKLEY.COM**

> **800.HINKLEY**

> **VAMOS A ESE ESTILO**

**HINKLEY@HINKLEY #HINKLEYSTYLE**

---

Este manual contiene instrucciones completas para la  
instalación y operación de este ventilador. Ha sido  
diseñado para hacer que el proceso de instalación sea  
lo más fácil posible. Si no está familiarizado o no se  
siente cómodo con el cableado, comuníquese con un  
electricista calificado. Si necesita asistencia adicional o  
tiene alguna pregunta, comuníquese con nosotros.

---

**Para obtener información sobre la garantía, visite [hinkley.com](http://hinkley.com).**



## TABLA DE CONTENIDO

02	INSTRUCCIONES GENERALES DE INSTALACIÓN Y FUNCIONAMIENTO	10	INSTALACIÓN DE LA PLACA ADAPTADORA
03	PRECAUCIONES DE SEGURIDAD IMPORTANTES	11	INSTALACIÓN DEL KIT DE LUCES Y LA PANTALLA DE VIDRIO
03	HERRAMIENTAS Y MATERIALES REQUERIDOS	12	INSTALACIÓN DEL CONTROL DE PARED
04	DESEMBALAJE DE SU VENTILADOR	14	OPERACIÓN
05	PREPARACIÓN	16	CUIDADO Y LIMPIEZA
05	INSTALACIÓN DEL SOPORTE COLGANTE	16	SOLUCIÓN DE PROBLEMAS
06	CÓMO COLGAR EL VENTILADOR	17	GUÍA ENERGÉTICA
08	CONEXIONES ELÉCTRICAS	17	ESPECIFICACIONES
09	FINALIZANDO LA INSTALACIÓN	18	DESCARGA DE LA APLICACIÓN HINKLEY
10	ACCESORIO DE HOJA		

**ADVERTENCIA:**

Lea y siga estas instrucciones atentamente y preste atención a todas las advertencias que se muestran a lo largo.

## INSTRUCCIONES GENERALES DE INSTALACIÓN Y FUNCIONAMIENTO

- 1 Para garantizar el éxito de la instalación, asegúrese de leer las instrucciones y revisar los diagramas detenidamente antes de comenzar.
- 2 Para evitar posibles descargas eléctricas, asegúrese de que la electricidad esté apagada en la caja de alimentación principal antes de realizar el cableado. Todas las conexiones eléctricas deben realizarse de acuerdo con los códigos y ordenanzas locales y/o el Código Eléctrico Nacional. Si no está familiarizado con los métodos de instalación de cableado y productos eléctricos, contrate los servicios de un electricista calificado y con licencia, así como de alguien que pueda verificar la resistencia de los miembros del techo de soporte y realizar las instalaciones y conexiones adecuadas.
- 3 **ADVERTENCIA:** Para reducir el riesgo de incendio, descarga eléctrica u otras lesiones personales, monte el ventilador solo en una caja de salida o sistema de soporte marcado como aceptable para soporte de ventilador de 35 libras (15,9 kg) o menos y use los tornillos de montaje provistos con la caja de salida. La mayoría de las cajas de salida comúnmente utilizadas para el soporte de los artefactos de iluminación no son aceptables para el soporte de los ventiladores y es posible que deban reemplazarse. Consulte a un electricista calificado si tiene dudas.
- 4 Asegúrese de que su sitio de instalación no permita que las aspas giratorias del ventilador entren en contacto con ningún objeto. Las hojas deben estar al menos a 7 pies del piso.
- 5 Las aspas deben colocarse después de que la carcasa del motor esté colgada y en su lugar. La carcasa del motor del ventilador debe guardarse en la caja hasta que esté lista para instalarse para proteger su acabado. Si está instalando más de un ventilador de techo, asegúrese de no mezclar los conjuntos de aspas del ventilador, ya que cada aspa es parte de un conjunto ponderado.
- 6 Después de hacer las conexiones eléctricas, los conductores empalmados deben girarse hacia arriba y empujarse con cuidado hacia la caja de salida. Los cables deben separarse con el conductor común y el conductor de puesta a tierra en un lado de la caja de salida, y el Cables "VIVOS" en el otro lado.
- 7 Los diagramas eléctricos son solo para referencia. Los juegos de luces que no están empacados con el ventilador deben estar listados por UL y deben instalarse según las instrucciones de instalación del juego de luces.
- 8 Una vez que el ventilador esté completamente instalado, verifique que todas las conexiones estén seguras para evitar que el ventilador se caiga y/o Se puede hacer que el ventilador funcione inmediatamente después de la instalación: los cojinetes se cargan adecuadamente con grasa de modo que, en condiciones normales, no debería ser necesaria una lubricación adicional durante la vida útil del ventilador..
- 9 Para operar la función de retroceso en este ventilador, presione el botón de retroceso mientras el ventilador está funcionando.
- 10 **PRECAUCIÓN:** No ingiera la batería: peligro de quemadura química. Mantenga las baterías nuevas y usadas fuera del alcance de los niños.
- 11 El control remoto se suministra con una pila tipo moneda/botón. Si se traga la batería de tipo moneda/botón, puede causar quemaduras internas graves en solo 2 horas y puede provocar la muerte.
- 12 Si el compartimento de la batería no cierra de forma segura, deje de usar el producto y manténgalo fuera del alcance de los niños.
- 13 Si cree que las pilas pueden haberse tragado o colocado dentro de cualquier parte del cuerpo, busque atención médica de inmediato.

## PRECAUCIONES IMPORTANTES DE SEGURIDAD

### ADVERTENCIAS:

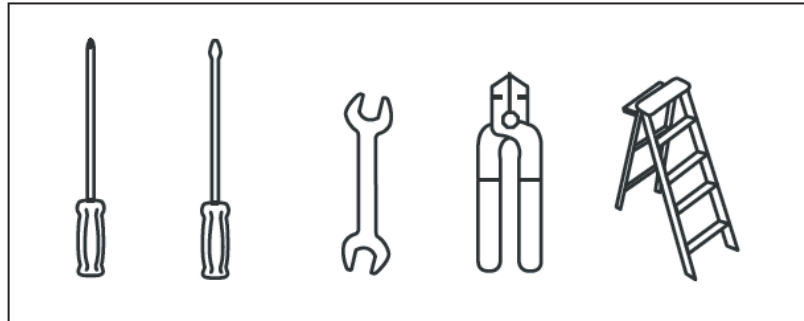
- Desconecte la energía quitando el fusible o apagando el interruptor de circuito antes de instalar el ventilador y / o la iluminación opcional.
- Apoyo directo desde la estructura del edificio.
- Para reducir el riesgo de incendio, descarga eléctrica o lesiones personales, monte en la caja de salida marcada como "aceptable para soporte del ventilador" y use los tornillos de montaje provistos con la caja de salida. La mayoría de las cajas de salida comúnmente utilizadas para el soporte de accesorios de iluminación no son aceptables para el soporte del ventilador y pueden necesitar ser reemplazadas. Consulte a un electricista calificado si tiene dudas.
- No utilice un atenuador de luz incandescente. No utilice este ventilador con ningún dispositivo de control de velocidad del ventilador de tipo transformador. To reduce the risk of personal injury, do not bend the blade arms when installing them, balancing the blades or cleaning the fan.
- No inserte ningún objeto (s) entre las aspas giratorias del ventilador.

### NOTA:

Las precauciones, salvaguardas e instrucciones importantes que aparecen en este manual no están destinadas a cubrir todas las condiciones y situaciones posibles que puedan ocurrir. Debe entenderse que el sentido común, la precaución y el cuidado son factores que no se pueden incorporar a este producto. Estos factores deben ser proporcionados por la (s) persona (s) que instalan, cuidan y operan la unidad.

## HERRAMIENTAS Y MATERIALES REQUERIDOS

- DESTORNILLADOR PHILLIPS
- DESTORNILLADOR PLANO
- LLAVE O ALICATES
- CORTADOR DE CABLES
- ESCALERA DE TIJERA
- SUMINISTROS DE CABLEADO SEGÚN REQUERIDO POR CÓDIGO ELÉCTRICO



# DESEMBALAJE DE SU VENTILADOR

## DESEMPAQUE SU VENTILADOR Y COMPRUEBE EL CONTENIDO

- No deseche el cartón. Si alguna vez es necesario reemplazar o reparar la garantía, el ventilador debe devolverse en el embalaje original. Retire todas las piezas y herrajes. No coloque la carcasa del motor de costado, ya que la carcasa decorativa podría moverse, doblarse o dañarse.
- Examine todas las piezas. Deberías tener lo siguiente:

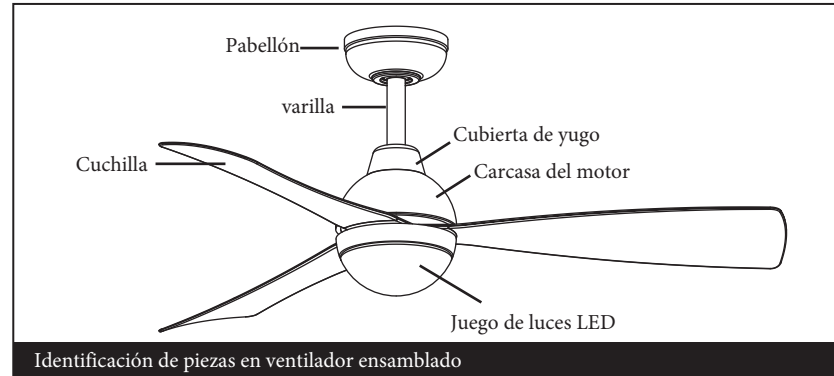
	<b>CONTENIDO DEL PAQUETE VERGE</b>		
	1	Juego de cuchillas de 3	BL905644Fxx
	2	Placas de soporte de cuchillas	En bolsa de herrajes
	3	Soporte colgante	CA902672Fxx
	4	Toldo de techo y anillo de moldura	
	5	Montaje de la varilla	DR94016Fxx
	6	Cubierta de yugo	YC905644Fxx
	7	Carcasa de ventilador con motor *Retire los soportes de envío de goma alrededor del motor, si corresponde. Guarda los tornillos	X
	8	Placa adaptadora	AP905644Fxx
	9	Ensamblaje LED de 16W	LK905644
	10	Pantalla de vidrio	GL905644OPET
	11	receptor incluido 5 tuercas de alambre	CWT905644
	12	Control de pared con batería 2032, cuna A, placa de pared, placa frontal, 2 tornillos de montaje, Cuna B (solo para uso en paredes planas)	980014FWH-R
13	Bolsa de ferretería		
	Hardware de montaje del soporte (tornillos para madera, tornillos, arandelas de seguridad, arandelas de estrella, arandelas planas, tuercas para alambre), Tornillos de hoja a motor con arandelas de seguridad, equipo de equilibrio, Herrajes para cables de seguridad (tornillo para madera, arandela plana)	MH905656	
XX=ACABADO EN VENTILADOR			
<p>NOTA: El diseño de las piezas que se muestran arriba puede verse ligeramente diferente para su modelo específico de ventilador.</p>			

## PREPARACIÓN

### PREPARACIÓN:

Verifique que tenga todas las piezas antes de comenzar la instalación. Revise detenidamente el inserto de espuma para ver si faltan piezas. Saque el motor del empaque. Para evitar dañar el acabado, ensamble el motor sobre una superficie suave y acolchada o use la pieza interior de espuma original en la caja del motor.

**NO COLOQUE LA CARCASA DEL MOTOR DE LADO YA QUE ESTO PODRÍA RESULTAR EN EL DESPLAZAMIENTO DEL MOTOR EN LA CAJA DECORATIVA.**



Identificación de piezas en ventilador ensamblado

## INSTALACIÓN DEL SOPORTE COLGANTE

**PRECAUCIÓN:** Para evitar posibles descargas eléctricas, asegúrese de que la electricidad esté apagada en la caja de alimentación principal antes de realizar el cableado. Todo el cableado debe estar de acuerdo con los Códigos Eléctricos Nacionales y Locales y el ventilador de techo debe estar conectado a tierra como precaución contra posibles descargas eléctricas.

- 1 Ubique la viga del techo donde se montará el ventilador, asegurándose de que la ubicación cumpla con los requisitos de la sección de espacio libre mínimo de esta guía. Las vigas de madera deben ser sólidas y del tamaño adecuado para soportar 35 libras (consulte la página 2, artículos 3 y 4).
- 2 Si aún no está presente, monte una caja de salida listada por UL marcada como "adecuada para soporte de ventilador" siguiendo las instrucciones provistas con la caja de salida. La caja de salida debe poder soportar un mínimo de 35 libras.
- 3 Fije el soporte para colgar a la caja de salida con los tornillos provistos con la caja de salida.

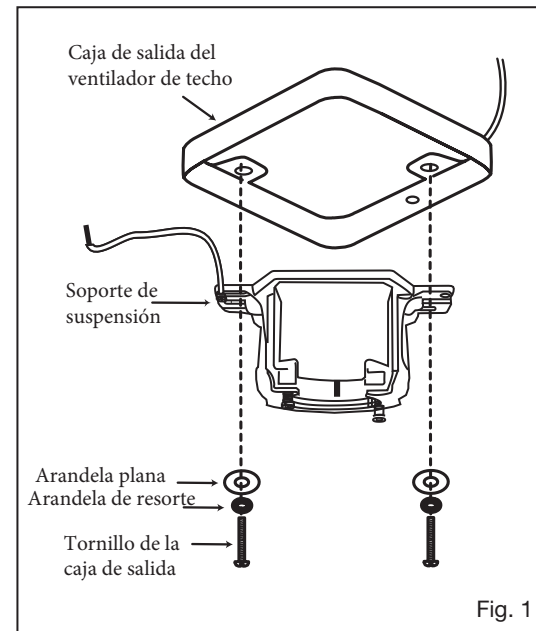
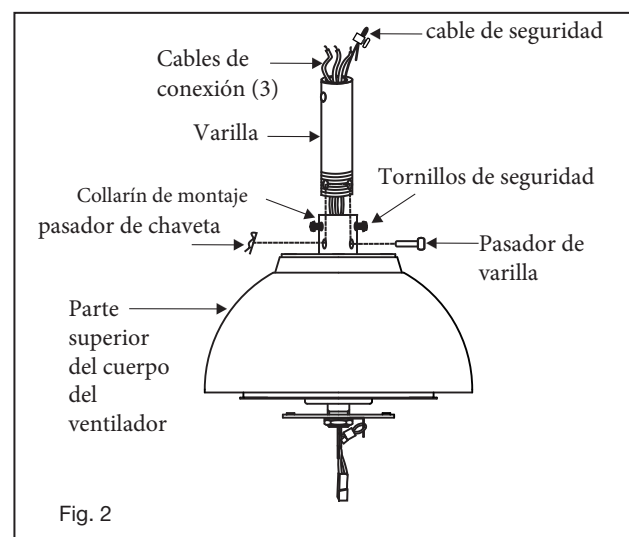
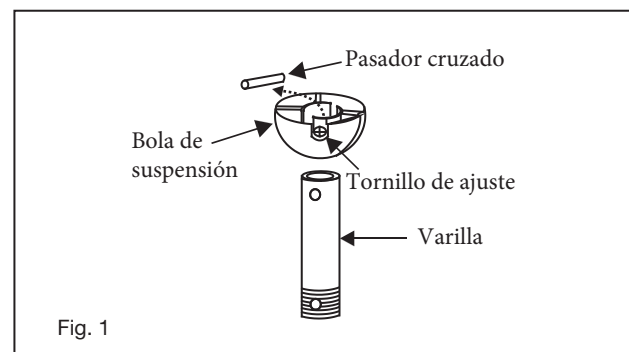


Fig. 1

## CÓMO COLGAR EL VENTILADOR

- 1 Retire la bola del tubo bajante aflojando el tornillo de fijación en el costado de la bola. Deslice la bola hacia abajo y retire el pasador cruzado; quitar pelota. (Figura 1)
- 2 Sostenga con cuidado el cuerpo del ventilador (motor) en su empaque de espuma de poliestireno con el collar de montaje (donde salen los cables) mirando hacia arriba.
- 3 Afloje los dos tornillos de fijación de seguridad y retire el pasador de la varilla y la chaveta del acoplamiento en la parte superior del conjunto del motor. (Figura 2)
- 4 Pase con cuidado los cables conductores eléctricos y el cable de seguridad del ventilador a través del tubo bajante. Enrosque la varilla en el acoplador hasta que los orificios se alineen. Inserte el pasador del tubo bajante a través de los agujeros en el collarín de montaje y el tubo bajante; sujete la chaveta a través del pequeño orificio en el extremo del pasador de la varilla para mantener la varilla en su lugar.
- 5 Apriete los tornillos de fijación de seguridad contra el tubo bajante con un destornillador grande de hoja plana para garantizar un ajuste perfecto contra el tubo bajante.

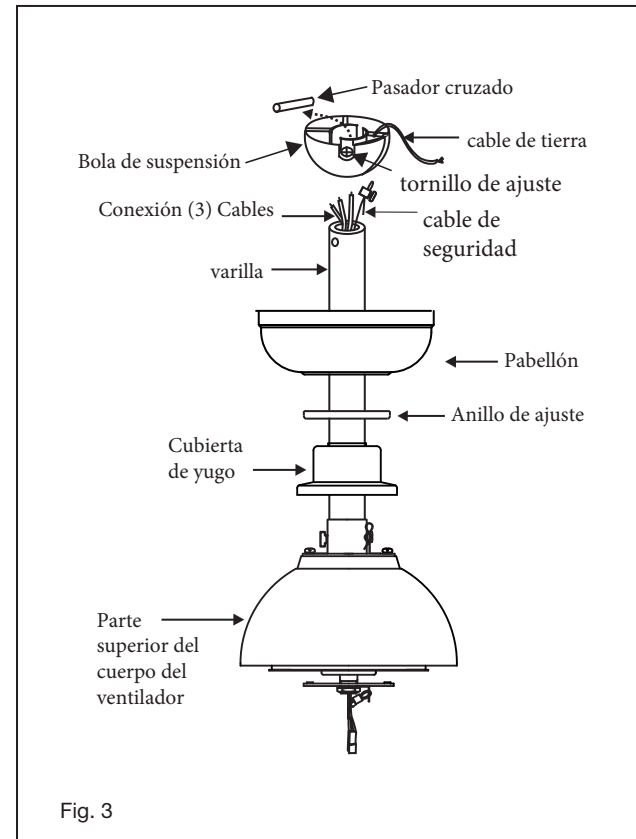


- 1 Deslice la cubierta del yugo, el anillo de moldura y la capota en el tubo bajante. (Fig. 3)
- 2 Deslice la bola de suspensión en el tubo bajante, inserte el pasador transversal a través del tubo bajante y apriete. Apriete el tornillo de fijación.

NOTA:

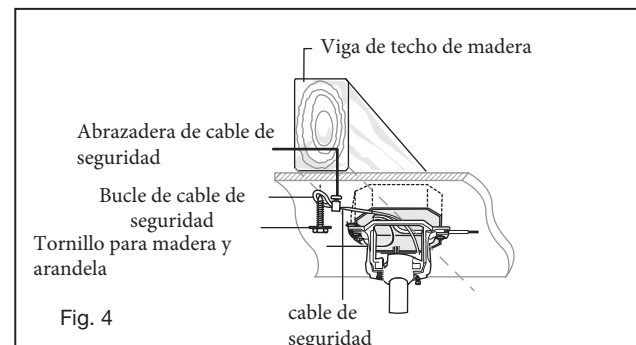
El ventilador tiene 6 pies de cable de conexión en caso de que esté usando una barra de extensión larga.

- 3 Levante la bola/varilla/ventilador en la abertura del soporte de suspensión.  
NOTA: La lengüeta opuesta a la abertura del soporte de suspensión debe encajar en la ranura de la bola. (Figura 4)



#### INSTALACIÓN DE SOPORTE DE CABLE DE SEGURIDAD

Fije el tornillo para madera y la arandela plana a la viga del techo como se muestra (no apriete completamente). Deslice la abrazadera del cable en el cable de seguridad del ventilador. Pase el cable de seguridad alrededor del tornillo para madera que acaba de colocar en la viga del techo. Introduzca el extremo del cable en la abrazadera y tire de la mayor cantidad de cable posible. Apriete firmemente el tornillo en la abrazadera. Corte el exceso de cable y apriete el tornillo para madera a la viga del techo.



## CONEXIONES ELÉCTRICAS

RECUERDE -¡Apague la corriente! NOTA - El control debe instalarse dentro de 30 pies de ventilador.

ADVERTENCIAS: Verifique que todas las conexiones estén apretadas, incluida la conexión a tierra, y que no se vea ningún cable desnudo en las tuercas para cables, excepto el cable a tierra.

PRECAUCIÓN: Para reducir el riesgo de descarga eléctrica, este ventilador debe instalarse con un interruptor/control de pared aislador.

1. Inserte el receptor en la carcasa del motor con el lado plano del receptor hacia el techo. (Fig. 1) Para obtener el mejor rendimiento, asegúrese de que la antena negra y la antena WIFI, en el extremo del receptor, permanezcan extendidas y sin enredarse con ninguno de los cables eléctricos.

2. Realice las conexiones de cables desde el ventilador hasta la unidad receptora. Para esto

paso use el paquete de 5 cables en el receptor. (Figura 2)

Conecte el cable AMARILLO del ventilador al cable AMARILLO del receptor.

Conecte el cable GRIS del ventilador al cable GRIS del receptor.

Conecte el cable neutral ROJO del ventilador al cable neutral ROJO del receptor.

Conecte el cable BLANCO del kit de luz neutra del ventilador al cable BLANCO del receptor marcado como "For Light".

Conecte el cable NEGRO del juego de luces del ventilador al cable AZUL del receptor marcado como "For Light".

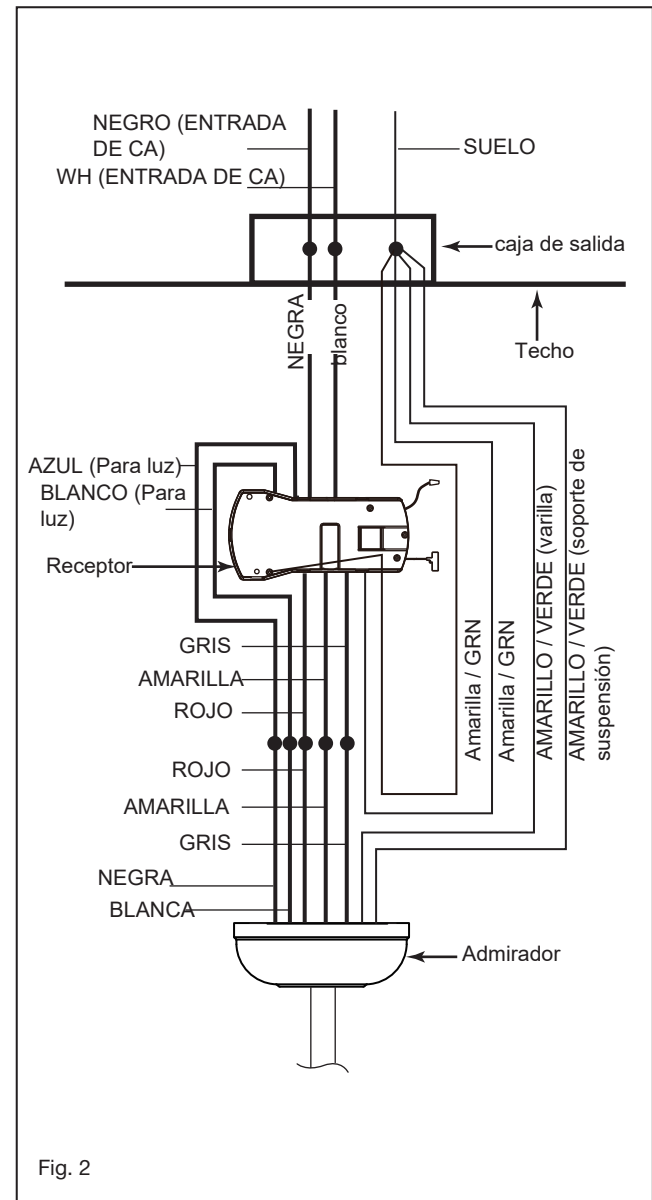
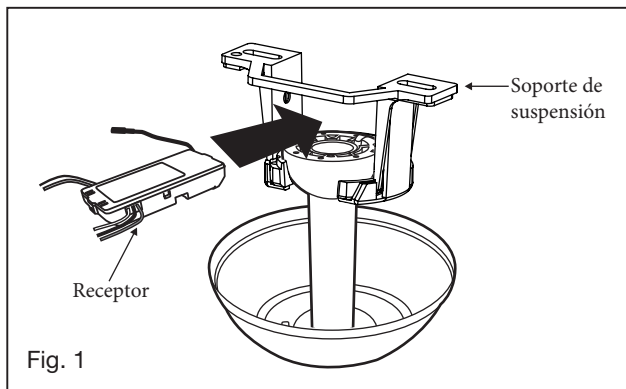
Los colores de los cables que salen del ventilador son blanco y negro para el juego de luces. Los cables del juego de luces del controlador/receptor son azules/blancos.

3. Conecte el cableado del techo a la unidad receptora. (Use el paquete de 2 cables en el receptor). Asegúrelo con las tuercas para cables provistas.

Conecte el cable NEGRO de suministro del edificio al cable NEGRO del receptor.

Conecte el cable neutral BLANCO del receptor al cable neutral BLANCO del edificio.

Conecte el cable de tierra del edificio de COBRE a los 4 cables de tierra AMARILLOS/VERDES del ventilador y el receptor.

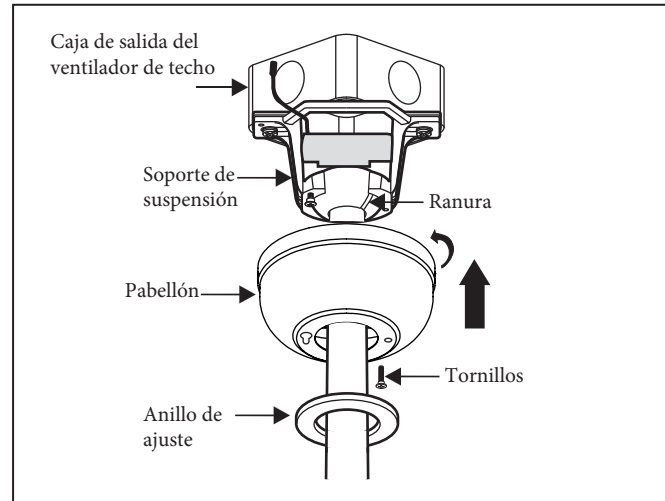




## FINALIZANDO LA INSTALACIÓN

- 1 Meta las conexiones cuidadosamente en la caja de salida del techo.
- 2 Quite un tornillo del soporte y deslice la cubierta hacia arriba hasta el soporte de montaje y coloque el orificio de la llave en el tornillo del soporte de montaje, gire la cubierta hasta que encaje en su lugar en la sección estrecha de los orificios de la llave. Alinee el orificio circular de la cubierta con el orificio restante del soporte de montaje, asegúrelo apretando los dos tornillos de fijación.
- 3

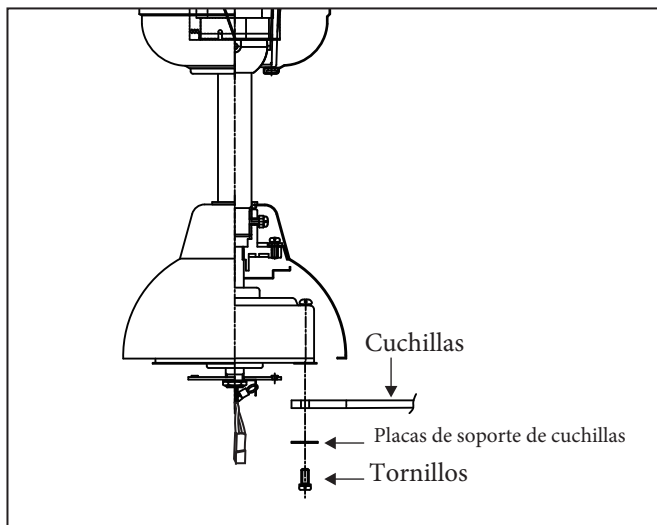
NOTA: Ajuste los tornillos de la capota según sea necesario hasta que la capota y el anillo de moldura queden ajustados.



### ADVERTENCIA:

Asegúrese de que el gancho del soporte para colgar se asiente correctamente en la ranura de la bola de suspensión antes de sujetar la cubierta al soporte girando la carcasa hasta que encaje en su lugar.

## ACCESORIO DE HOJA

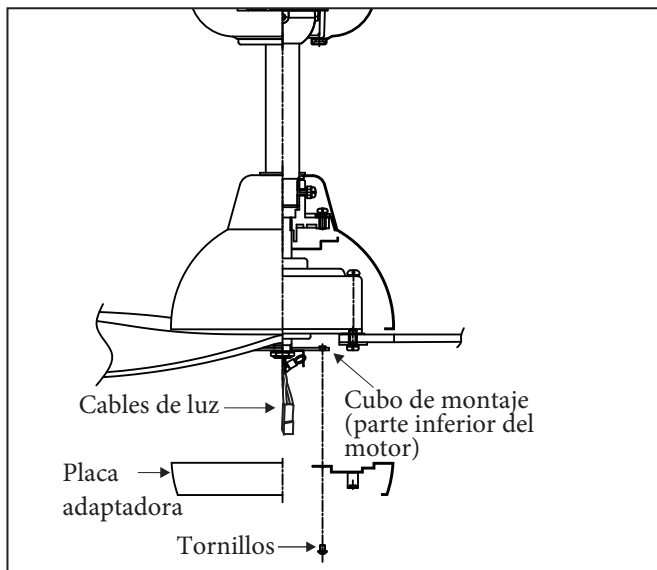


**PRECAUCIÓN:** Retire los dos montajes de empaque de goma del ensamblaje del motor del ventilador y deséchelos antes de colocar las aspas. Inserte la cuchilla a través de la ranura en la carcasa. Alinee los orificios en el asa y el conjunto del motor del ventilador y asegúrelos con las placas de soporte del asa y los tornillos de fijación del asa.

### NOTA:

NO se recomiendan los destornilladores eléctricos inalámbricos, ya que generalmente quitan las cabezas de los tornillos y generalmente no comprimen completamente las arandelas de seguridad de los tornillos del motor. Use un destornillador grande de hoja plana para apretar finalmente y comprimir completamente las arandelas. Esto ayudará a garantizar la alineación adecuada de las cuchillas y un funcionamiento sin ruidos ni oscilaciones.

## INSTALACIÓN DE LA PLACA ADAPTADORA



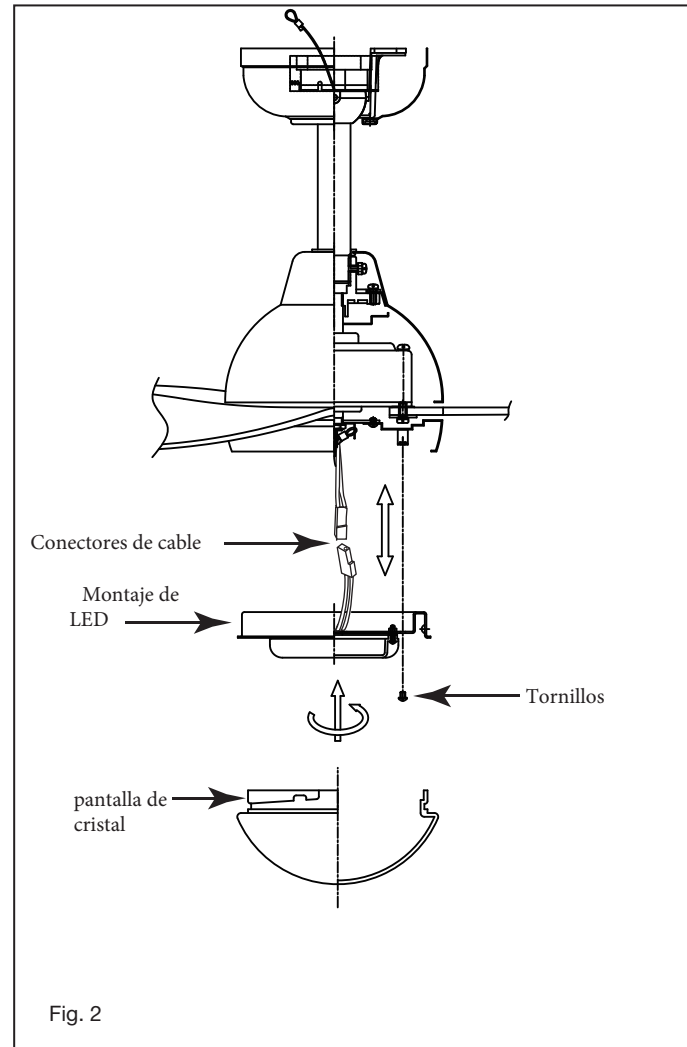
**NOTA:** Asegúrese de que la alimentación esté apagada antes de la instalación.

- 1 Retire uno de los tres tornillos del cubo de montaje ubicado en el motor del ventilador. Afloje los otros 2 tornillos. (No quitar)
- 2 Pase los cables de luz a través del orificio central de la placa adaptadora. Coloque los orificios de llave en la placa adaptadora sobre los 2 tornillos que aflojó anteriormente, gire la placa adaptadora hasta que encaje en su lugar en la sección estrecha de los orificios de llave.
- 3 Asegúrelo apretando los 2 tornillos que aflojó anteriormente y el que retiró anteriormente.

## INSTALACIÓN DEL CONJUNTO DEL LED Y LA PANTALLA DE VIDRIO

NOTA: Asegúrese de que la alimentación esté apagada antes de la instalación.

- 1 Retire uno de los tres tornillos de la placa adaptadora ubicada en el motor del ventilador. Afloje los otros 2 tornillos. (No quitar) (Fig. 2)
- 2 Mientras sostiene el ensamblaje de LED debajo de su ventilador, haga las conexiones polarizadas del enchufe: (Fig. 2)
  - Blanco a blanco
  - Negro a negro
- 3 Meta las conexiones cuidadosamente en la placa adaptadora. Coloque los orificios tipo llave en el ensamblaje de LED sobre los 2 tornillos que aflojó anteriormente, gire el ensamblaje de LED hasta que encaje en su lugar en la sección estrecha de los orificios tipo llave. Asegúrelo apretando los 2 tornillos que aflojó anteriormente y el que retiró anteriormente.
- 4 Levante la pantalla de vidrio contra el conjunto de LED y gírela en el sentido de las agujas del reloj hasta que quede ajustada, NO LA APRIETE DEMASIADO.
- 5 Restaure la energía y su conjunto de LED estará listo para funcionar



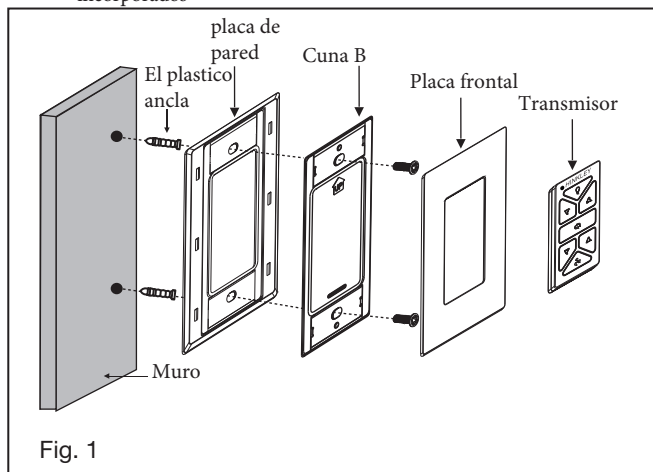
## INSTALACIÓN DEL CONTROL DE PARED

RECUERDE apagar la alimentación antes de comenzar.

NOTA: Se fija a cualquier superficie o aplicación: pared plana, caja de conexiones sencillas, caja de conexiones múltiples.

### Opción 1. Instalación en superficie plana

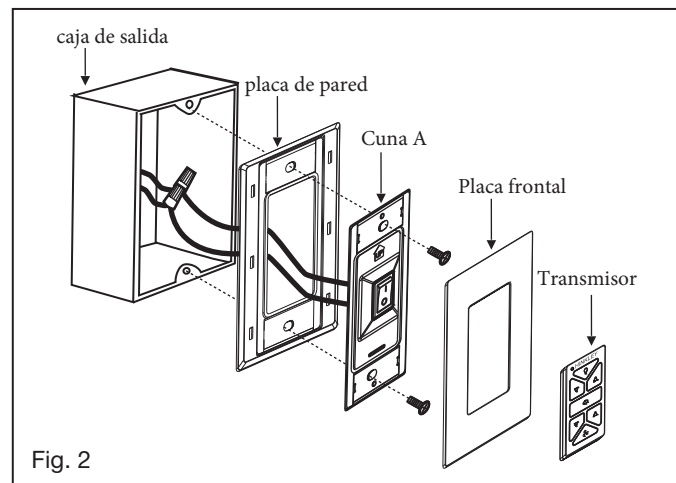
- 1 Seleccione una ubicación deseada. Utilice la placa de pared para marcar la ubicación de los orificios de montaje. Para esta aplicación se necesitan anclajes de pared de plástico o tornillos de montaje. (Figura 1)
- 2 Asiente la cuna B en la placa de pared. Asegure la placa de pared a la pared usando los accesorios provistos.
- 3 Encaje la cubierta de la placa frontal en el soporte de pared.
- 4 El transmisor remoto se mantendrá en su lugar con imanes incorporados



**HIRO** Sistema de control HIRO

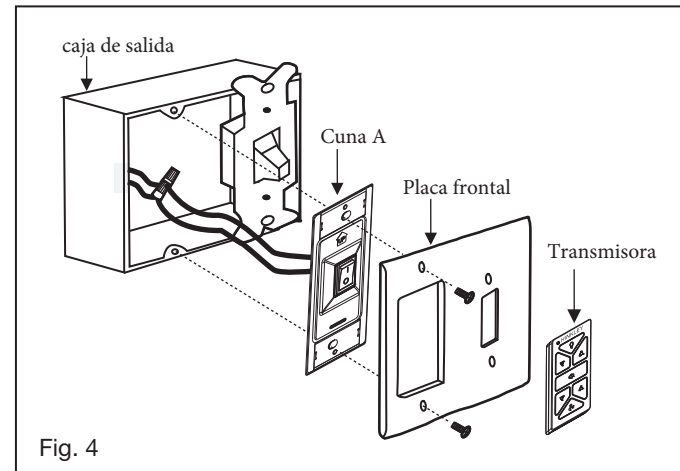
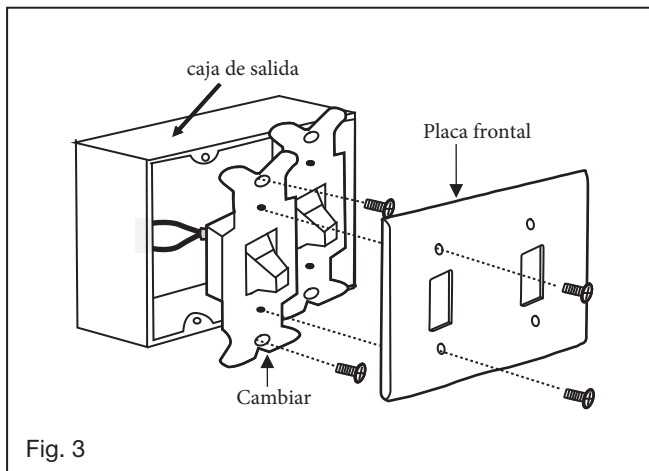
### Opción 2. Para caja de banda única

- 1 Retire la placa de pared existente y el interruptor viejo de la caja de salida de la pared.
- 2 Asiente la cuna A en la placa de pared. (Figura 2)
- 3 Conecte los cables conductores negros del interruptor en la base A a los cables negros en la caja del interruptor. Cable de entrada activo a uno de los cables del interruptor de la base A. El cable de alimentación del ventilador está conectado al cable restante del interruptor.
- 4 Conecte el conjunto de placa de pared/soporte A a la caja de tomacorriente de pared utilizando los accesorios suministrados.
- 5 Encaje la cubierta de la placa frontal en el soporte de pared.
- 6 El transmisor remoto se mantendrá en su lugar con imanes incorporados



### Opción 3. Instalación de caja de interruptores de pared de varios grupos

- 1 Retire la placa de pared existente y el interruptor viejo de la caja de salida de la pared. (Fig. 3)
- 2 Conecte los cables conductores negros del interruptor en la base A a los cables negros en la caja del interruptor. Cable de entrada activo a uno de los cables del interruptor de la base. El cable de alimentación del ventilador está conectado al cable restante del interruptor. (Figura 4)
- 3 Fije la base A a la caja de interruptores de pared utilizando los accesorios suministrados.
- 4 Fije la placa frontal multidispositivo al juego de interruptores en la caja de salida de la pared. El soporte A del interruptor Hinkley encajará en cualquier placa frontal decora estándar.
- 5 El transmisor remoto se mantendrá en su lugar con imanes incorporados.



 **HIRO** Sistema de control HIRO






## OPERACIÓN

Su motor sin escobillas de CC está equipado con un control remoto de tipo aprendido automáticamente. No hay interruptores de frecuencia en el receptor o transmisor. El ventilador puede comenzar a usarse una vez que se realiza el proceso de emparejamiento.

Retire el panel del transmisor y luego instale una batería 2032 (incluida). Necesita usar una moneda para abrir o cerrar la tapa de la batería. Para evitar daños al transmisor, extraiga la batería si no la va a utilizar durante largos periodos de tiempo (

 **ADVERTENCIA:** Peligro de quemaduras químicas. Mantenga las baterías fuera del alcance de los niños..

Este producto contiene una batería de botón/bola de litio. Si se ingiere o entra en el cuerpo una pila de botón o de botón de litio nueva o usada, puede causar quemaduras internas graves y provocar la muerte en tan solo 2 horas. Siempre asegure completamente el compartimiento de la batería. Si el compartimento de las pilas no cierra bien, deje de utilizar el producto, retire las pilas y manténgalo fuera del alcance de los niños. SI cree que las pilas pueden haberse tragado o colocado dentro de cualquier parte del cuerpo, busque atención médica de inmediato. Las baterías deben desecharse de manera adecuada, incluso manteniéndolas fuera del alcance de los niños; Incluso las celdas usadas pueden causar lesiones.

- 1  botón:  
Presione este botón y suéltelo instantáneamente para encender o apagar la luz.
- 2  botón:  
Mantenga presionado para atenuar o aumentar las luces al nivel deseado y suelte.
- 3  botón:  
Presione este botón para configurar la dirección del viento del ventilador hacia arriba o hacia abajo.
- 4  botón:  
Presione el botón para encender y configurar
- 5  1-6 velocidad del ventilador. botón:
- 6 Presione este botón para apagar el ventilador. Luz de señal (Fig. 2)

### Proceso de emparejamiento

NOTA: Si instala/empareja más de un ventilador en un área, se debe desconectar la alimentación de todos los ventiladores excepto del que se está emparejando.

Con el ventilador apagado, restablezca la energía al ventilador. Mantenga presionado el botón “ ” durante aproximadamente 5 segundos y suéltelo. Si se instala un juego de luces opcional, el juego de luces parpadeará tres veces y el motor girará durante 10 segundos a baja velocidad. El ventilador completó el proceso de emparejamiento con el control de pared y está listo para usarse.

NOTA: Se puede controlar un solo ventilador con hasta 3 controles de pared en una habitación. Cada control deberá repetir el proceso de emparejamiento según las instrucciones anteriores y todos los controles deben estar dentro de los 30 pies del ventilador.

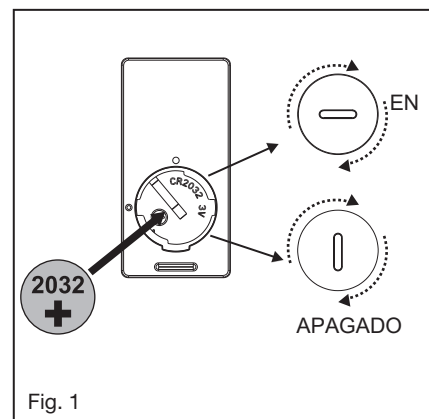


Fig. 1

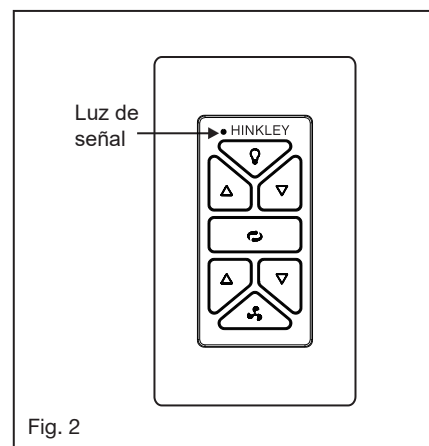


Fig. 2

 **HIRO** Sistema de control HIRO

Funcionamiento en modo verano y modo invierno

**IMPORTANTE:** Para evitar daños o causar lesiones, asegúrese de que el ventilador esté apagado y que las aspas hayan dejado de moverse por completo antes de intentar cambiar la dirección de rotación.

7

El interruptor de marcha atrás está ubicado en la parte superior de la carcasa del motor. Deslice el interruptor hacia la derecha para el funcionamiento en modo invierno. Deslice el interruptor hacia la izquierda para el funcionamiento en modo verano. Asegúrese de que el interruptor no esté atascado entre las posiciones de avance y retroceso.

8

Modo Verano (adelante):

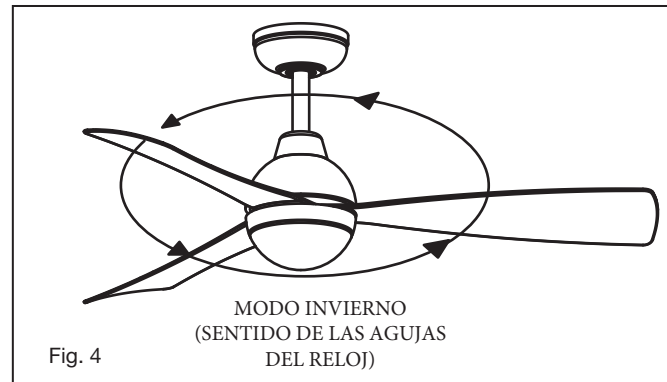
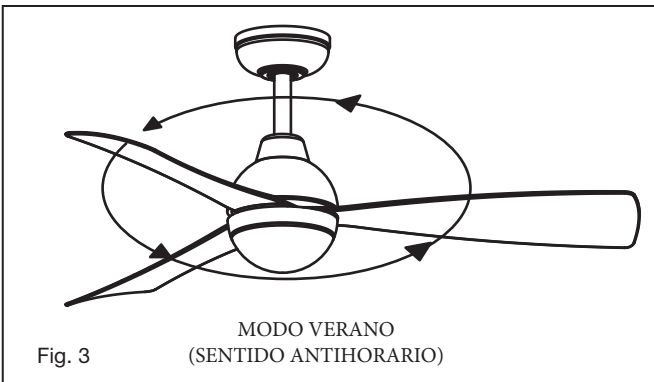
UN flujo de aire HACIA ABAJO crea un efecto de enfriamiento como se muestra en la Figura 3. Esto le permite configurar su acondicionador de aire en un ambiente más cálido sin afectar su comodidad.

9

Modo Invierno (Reversa):

Un flujo de aire HACIA ARRIBA mueve el aire más caliente fuera del área del techo como se muestra en la Figura 4. Esto le permite configurar su unidad de calefacción en un ambiente más frío sin afectar su comodidad.

10



## CUIDADO Y LIMPIEZA

Periódicamente puede ser necesario volver a apretar los tornillos del brazo del aspa o del brazo del aspa al motor para evitar un chasquido o un zumbido durante el funcionamiento. Esto es especialmente cierto en climas con amplios rangos de temperatura y humedad.

Al desempolvar las hojas, debe apoyar la hoja para evitar que se doble; no se debe aplicar presión a las hojas. Si experimenta alguna falla en el funcionamiento de su ventilador, verifique los siguientes puntos.

## SOLUCIÓN DE PROBLEMAS

PRECAUCIÓN:  
Apague la fuente de alimentación antes de realizar cualquiera de estas comprobaciones..

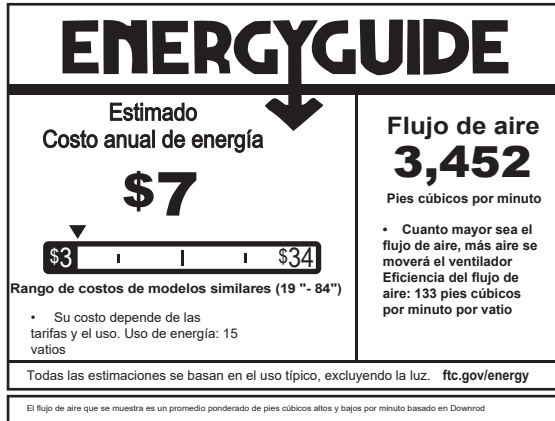
PROBLEMA	SOLUCIÓN
EL VENTILADOR NO ARRANCA	<ol style="list-style-type: none"><li>1. Revise los fusibles o disyuntores del circuito.</li><li>2. Verifique la luz indicadora LED del control de pared. Si el LED no se ilumina al presionar un botón, no está transmitiendo una señal. Verifique la alimentación al control de pared/disyuntor y todas las conexiones eléctricas.</li><li>3. Asegúrese de que no haya más de 2 ventiladores funcionando en un circuito a través del control de pared. Asegúrese de que no haya más de 12 ventiladores funcionando en un circuito a través de un interruptor de pared de encendido/apagado o un disyuntor (no a través de un control de pared).</li><li>4. Asegúrese de que el ventilador esté dentro del alcance del WiFi (150 pies) o del control de pared (30 pies).</li></ol>
EL VENTILADOR SUENA RUIDOSO	<ol style="list-style-type: none"><li>1. Permita un período de "asentamiento" de 24 horas. La mayor parte del ruido asociado con un ventilador nuevo desaparecerá durante este tiempo.</li><li>2. Asegúrese de que todos los tornillos de la carcasa del motor estén bien apretados.</li><li>3. Asegúrese de que los tornillos que sujetan el aspa del ventilador al ventilador estén apretados.</li><li>4. Asegúrese de que su caja de techo esté segura y que se usen almohadillas aislantes de goma entre el soporte de montaje y la caja de salida.</li></ol>
EL VENTILADOR SE BALANCEA	<ol style="list-style-type: none"><li>1. Verifique que todos los tornillos de las aspas y los brazos de las aspas estén seguros.</li><li>2. Si todavía se nota el bamboleo de las hojas, intercambiar dos hojas adyacentes (lado a lado) puede redistribuir el peso y posiblemente resultar en una operación más suave.</li><li>3. Verifique para asegurarse de que todas las varillas del motor y/o la bola de suspensión estén apretadas.</li><li>4. Asegúrese de que la caja del techo esté segura.</li></ol>



## GUÍA DE ENERGÍA

## ESPECIFICACIONES

### INFORMACIÓN MEDIA DE DESEMPEÑO Y ENERGÍA



ESPECIFICACIONES DE RENDIMIENTO	ESTÁNDAR	
	ALTA VELOCIDAD	BAJA VELOCIDAD
Flujo de aire (CFM)	5504	1127
Energía usada (vatios)	39.9	2.6
Eficiencia de flujo de aire (CFM/W)	138	438
Costos de energía (anual)	\$7	\$1
Amplificadores	0.56	0.04
RPMs	200	45

## DESCARGA DE LA APLICACIÓN HINKLEY

### INSTRUCCIONES DE LA APLICACIÓN HINKLEY:

Además del control de pared incluido, puede controlar su ventilador Hinkley a través de la aplicación Hinkley.

- Para usar la aplicación Hinkley, descárguela gratis de App Store o Google Play.
- Abra la aplicación Hinkley donde se le pedirá que cree una cuenta.
- Ingrese toda la información necesaria para crear una cuenta.
- Después de crear la cuenta, recibirá un correo electrónico con un código de verificación para finalizar la configuración de la aplicación Hinkley (consulte la carpeta de correo no deseado si no se recibe el correo electrónico).
- Confirme que Bluetooth está habilitado para permitir que el ventilador y la aplicación Hinkley se conecten entre sí.
- Haga clic en agregar un dispositivo en la pantalla de inicio y seleccione el ventilador deseado.
- La aplicación Hinkley le pedirá que ingrese el nombre y la contraseña de WiFi.
- Haga clic en Listo en la aplicación Hinkley para completar la conexión del ventilador.
- La aplicación Hinkley tendrá opciones en la pantalla principal para velocidades de ventilador, atenuación y configuración de temporizadores
- Escanee el código QR a continuación para obtener más información sobre el funcionamiento de la aplicación Hinkley.



ESCANEAR PARA DETALLES ADICIONALES

HINKLEY SE ENCUENTRA ORGULLOSO DE PROPORCIONARLE PRODUCTOS PARA VENTILADORES DE TECHO QUE MEJORAN SU ESPACIO CON COMODIDAD, PROPÓSITO Y ESTILO. COMO EMPRESA FAMILIAR, ESTAMOS COMPROMETIDOS CON EL DISEÑO, EL RENDIMIENTO Y LA CALIDAD, Y LO QUE ES IMPORTANTE PARA USTED ES PARAMOUNT PARA NOSOTROS.

**PARA UN SURTIDO COMPLETO DE NUESTROS PRODUCTOS Y FUENTES DE LIBROS, VISITA [HINKLEY.COM](http://HINKLEY.COM).**

# HINKLEY

**GLOBAL HEADQUARTERS**

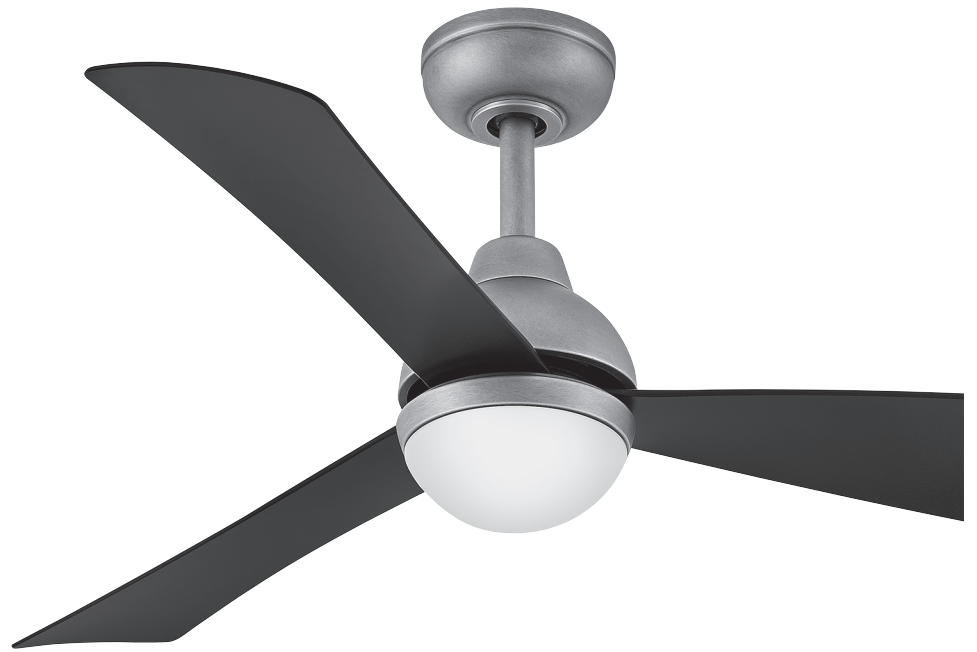
33000 Pin Oak Parkway | Avon Lake, Ohio 44012

T (440) 653 5500 | F (440) 653 5555 | [hinkley.com](http://hinkley.com)

HINKLEY

# 44" UNA™

VENTILADOR LED INTERIOR / EXTERIOR



DAMP



DC MOTOR



LED



CERTIFIED



WIFI

 HIRO

---

MANUEL D'UTILISATION EN FRANÇAIS



HINKLEY

ASSOCIER AVEC L'APPLICATION HINKLEY  
TÉLÉCHARGEMENT SUR APP STORE ou  
GOOGLE PLAY

## **NOUS VOULONS VOUS AIMER VOTRE NOUVEAU FAN**

NOUS SOMMES ICI SI VOUS AVEZ UNE QUESTION, BESOIN D'UNE AIDE OU VOULEZ CHAT SUR NOS PRODUITS. ENVOYER DES SUGGESTIONS NOTRE FAÇON AUSSI - NOUS CHERCHONS TOUJOURS À FAIRE DE VOTRE EXPÉRIENCE AVEC HINKLEY UNE POSITIVE.

> [SERVICE@HINKLEY.COM](mailto:SERVICE@HINKLEY.COM)

> [800.HINKLEY](tel:800.HINKLEY)

> [@HINKLEY](https://www.instagram.com/HINKLEYSSTYLE)  
[#HINKLEYSSTYLE](https://www.instagram.com/HINKLEYSSTYLE)

---

Ce manuel contient des instructions complètes pour l'installation et le fonctionnement de ce ventilateur. Il a été conçu pour rendre le processus d'installation aussi simple que possible. Si vous n'êtes pas familier ou mal à l'aise avec le câblage, veuillez contacter un électricien qualifié. Si vous avez besoin d'aide supplémentaire ou avez des questions, n'hésitez pas à nous contacter.

---

Pour des informations sur la garantie, visitez [hinkley.com](http://hinkley.com).

# TABLE DES MATIÈRES

02	INSTRUCTIONS GÉNÉRALES D'INSTALLATION ET D'UTILISATION	10	INSTALLATION DE LA PLAQUE D'ADAPTATION INSTALLATION DU
03	MESURES DE SÉCURITÉ IMPORTANTES OUTILS	11	KIT D'ÉCLAIRAGE ET DE L'ABAT-JOUR EN VERRE
03	ET MATÉRIAUX NÉCESSAIRES DÉBALLAGE DE	12	INSTALLATION DE LA COMMANDE MURALE
04	VOTRE VENTILATEUR	14	OPÉRATION
05	PRÉPARATION	16	ENTRETIEN ET NETTOYAGE
05	INSTALLATION DU SUPPORT DE SUSPENSION	16	DÉPANNAGE
06	SUSPENDRE LE VENTILATEUR	17	GUIDE ÉNERGIE
08	CONNECTIONS ELECTRIQUES	17	CARACTÉRISTIQUES
09	FIN DE L'INSTALLATION	18	DOWNLOADING THE HINKLEY APP
10	FIXATION DE LA LAME		

AVERTISSEMENT:  
Lisez et suivez attentivement ces instructions et tenez compte de tous les avertissements affichés tout au long de.

## INSTRUCTIONS GÉNÉRALES D'INSTALLATION ET D'UTILISATION

- 1 Pour assurer le succès de l'installation, assurez-vous de lire les instructions et de revoir attentivement les schémas avant de commencer.
- 2 Pour éviter tout risque d'électrocution, assurez-vous que l'électricité est coupée au niveau du boîtier d'alimentation principal avant le câblage. Toutes les connexions électriques doivent être effectuées conformément aux codes locaux, aux ordonnances et/ou au Code national de l'électricité. Si vous n'êtes pas familier avec les méthodes d'installation du câblage et des produits électriques, faites appel aux services d'un électricien qualifié et agréé ainsi que d'une personne capable de vérifier la résistance des éléments de support du plafond et d'effectuer les installations et connexions appropriées.
- 3 **AVERTISSEMENT :** Pour réduire le risque d'incendie, de choc électrique ou d'autres blessures, montez le ventilateur uniquement sur une boîte de sortie ou un système de support marqué acceptable pour un support de ventilateur de 35 lb (15,9 kg) ou moins et utilisez les vis de montage fournies avec la boîte de sortie. La plupart des boîtes de sortie couramment utilisées pour le support des appareils d'éclairage ne sont pas acceptables pour le support des ventilateurs et peuvent devoir être remplacées. Consultez un électricien qualifié en cas de doute.
- 4 Assurez-vous que votre site d'installation ne permettra pas aux pales de ventilateur en rotation d'entrer en contact avec un objet. Les lames doivent être à au moins 7 pieds du sol.
- 5 Les lames doivent être fixées une fois le boîtier du moteur suspendu et en place. Le boîtier du moteur du ventilateur doit être conservé dans le carton jusqu'à ce qu'il soit prêt à être installé pour protéger son fini. Si vous installez plus d'un ventilateur de plafond, assurez-vous de ne pas mélanger les ensembles de pales de ventilateur, car chaque pale fait partie d'un ensemble pondéré.
- 6 **After making electrical connections, spliced conductors should be turned upward and pushed carefully up into outlet box. The** Après avoir effectué les connexions électriques, les conducteurs épissés doivent être tournés vers le haut et poussés avec précaution dans la boîte de sortie. Les fils doivent être écartés avec le conducteur commun et le conducteur de mise à la terre d'un côté de la boîte de sortie, et le Fils "CHAUDS" de l'autre côté.
- 7 Les schémas électriques sont fournis à titre indicatif uniquement. Les kits d'éclairage qui ne sont pas emballés avec le ventilateur doivent être homologués UL et doivent être installés conformément aux instructions d'installation du kit d'éclairage.
- 8 Une fois le ventilateur complètement installé, assurez-vous que toutes les connexions sont sécurisées pour éviter que le ventilateur ne tombe et/ou ne cause des dommages ou des blessures.
- 9 Le ventilateur peut être mis en marche immédiatement après l'installation - les roulements sont suffisamment chargés de graisse pour que, dans des conditions normales, une lubrification supplémentaire ne soit pas nécessaire pendant la durée de vie du ventilateur.
- 10 Pour activer la fonction d'inversion sur ce ventilateur, appuyez sur le bouton d'inversion pendant que le ventilateur est en marche.  
**ATTENTION :** Ne pas ingérer la batterie - Risque de brûlure chimique. Gardez les piles neuves et usagées hors de portée des enfants.
- 11 La télécommande est fournie avec une pile bouton/bouton. Si la pile bouton/bouton est avalée, elle peut provoquer de graves brûlures internes en seulement 2 heures et entraîner la mort.
- 12 Si le compartiment à piles ne se ferme pas correctement, arrêtez d'utiliser le produit et tenez-le hors de portée des enfants.
- 13 Si vous pensez que des piles ont été avalées ou placées à l'intérieur d'une partie du corps, consultez immédiatement un médecin.
- 14



## PRÉCAUTIONS DE SÉCURITÉ IMPORTANTES

### AVERTISSEMENTS:

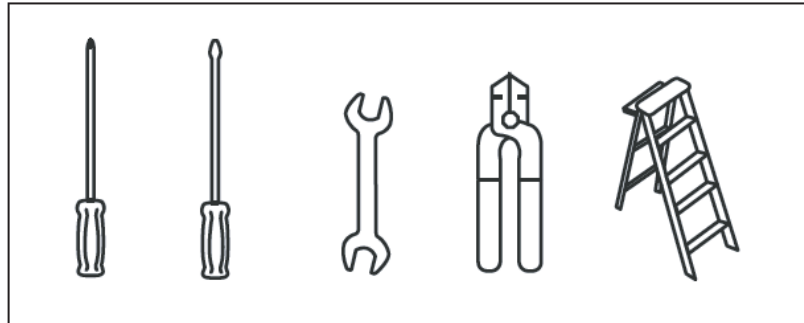
- Coupez l'alimentation en retirant le fusible ou en fermant le disjoncteur avant d'installer le ventilateur et / ou l'éclairage en option.
- Support directement à partir de la structure du bâtiment.
- Pour réduire le risque d'incendie, d'électrocution ou de blessure, montez sur la boîte de sortie marquée "acceptable pour le support du ventilateur" et utilisez les vis de montage fournies avec la boîte de sortie. La plupart des boîtiers de sortie couramment utilisés pour le support des appareils d'éclairage ne sont pas acceptables pour le support du ventilateur et peuvent devoir être remplacés. Consulter un électricien qualifié en cas de doute.
- N'utilisez pas de gradateur de lumière incandescente. N'utilisez pas ce ventilateur avec un dispositif de contrôle de vitesse de ventilateur de type transformateur.
- Pour réduire le risque de blessures corporelles, ne pliez pas les bras des pales lors de leur installation, de l'équilibrage des pales ou du nettoyage du ventilateur.
- N'insérez aucun objet entre les pales du ventilateur en rotation.

### REMARQUE:

Les précautions, garanties et instructions importantes figurant dans ce manuel ne sont pas destinées à couvrir toutes les conditions et situations possibles qui peuvent survenir. Il faut comprendre que le bon sens, la prudence et la prudence sont des facteurs qui ne peuvent être intégrés à ce produit. Ces facteurs doivent être fournis par la ou les personnes installant, prenant soin et utilisant l'appareil.

## OUTILS ET MATÉRIAUX REQUIS

- TOURNEVIS CRUCIFORME
- TOURNEVIS PLAT
- CLÉ OU PINCE
- COUPE-FIL
- ESCABEAU
- FOURNITURES DE CÂBLAGE  
COMME REQUIS PAR LE CODE  
ÉLECTRIQUE



# DÉBALLAGE DE VOTRE VENTILATEUR

## DÉBALLER VOTRE FAN ET VÉRIFIER LE CONTENU

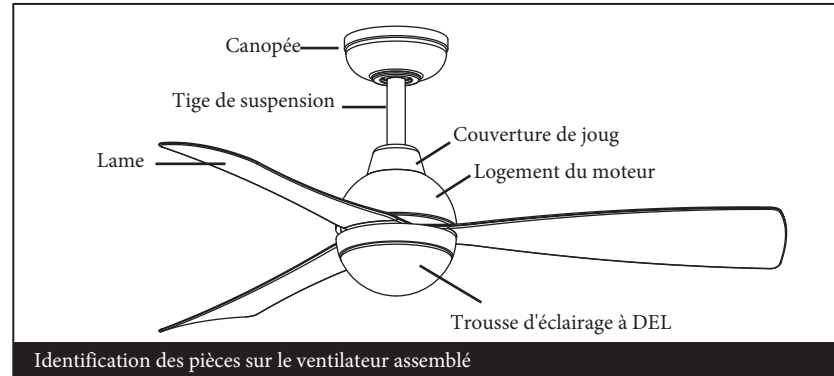
- Ne jetez pas le carton. Si un remplacement ou une réparation sous garantie est nécessaire, le ventilateur doit être retourné dans son emballage d'origine. Retirez toutes les pièces et le matériel. Ne posez pas le boîtier du moteur sur le côté, sinon le boîtier décoratif pourrait se déplacer, être plié ou endommagé.
- Examinez toutes les pièces. Vous devriez avoir les éléments suivants:

	<b>CONTENU DE L'EMBALLAGE VERGE</b>		
	1	Jeu de 3 lames	BL905644Fxx
	2	Plaques de support de lame	Dans le sac de quincaillerie
	3	Support de suspension	CA902672Fxx
	4	Auvent de plafond et anneau de garniture	
	5	Assemblage de la tige de suspension	DR94016Fxx
	6	Couverture de joug	YC905644Fxx
	7	Boîtier de ventilateur avec moteur *Retirez les supports d'expédition en caoutchouc autour du moteur, le cas échéant. Gardez les vis.	X
	8	Plaque d'adaptation	AP905644Fxx
	9	Assemblage LED 16W	LK905644
	10	Abat-jour en verre	GL905644OPET
	11	Récepteur Incl. 5 écrous de fil	CWT905644
	12	HIRO Commande murale avec pile 2032, berceau A, plaque murale, plaque frontale, 2 vis de montage, Berceau B (pour une utilisation sur un mur plat uniquement)	980014FWH-R
13	Sac de quincaillerie		
	Matériel de montage du support (vis à bois, vis, rondelles freins, rondelles étoiles, rondelles plates, serre-fils), Vis lame à moteur avec rondelles de blocage, Trousse d'équilibre, Matériel de câble de sécurité (vis à bois, rondelle plate)	MH905656	
XX=FINITION ÉVENTAIL			
REMARQUE : La conception des pièces illustrées ci-dessus peut sembler légèrement différente pour votre modèle de ventilateur spécifique.			

## PRÉPARATION

### PRÉPARATION:

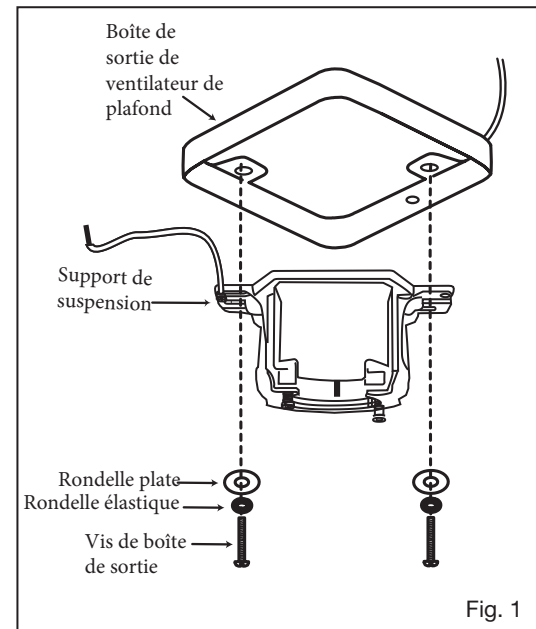
Vérifiez que vous avez toutes les pièces avant de commencer l'installation. Vérifiez attentivement l'insert en mousse pour les pièces manquantes. Retirez le moteur de l'emballage. Pour éviter d'endommager la finition, assemblez le moteur sur une surface rembourrée douce ou utilisez l'insert en mousse d'origine dans le boîtier du moteur. **NE PAS POSER LE BOÎTIER DU MOTEUR SUR LE CÔTÉ CAR CELA POURRAIT ENTRAÎNER LE DÉPLACEMENT DU MOTEUR DANS L'ENCEINTE DÉCORATIVE.**



## INSTALLATION DU SUPPORT DE SUSPENSION

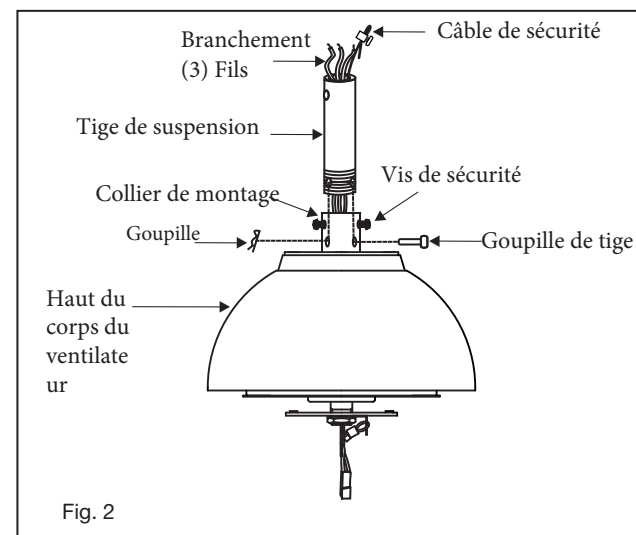
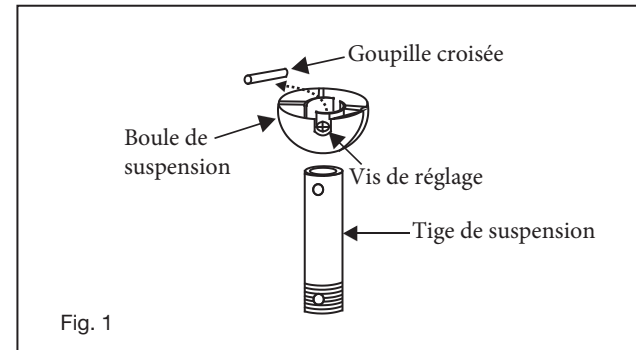
**ATTENTION :** Pour éviter tout risque d'électrocution, assurez-vous que l'électricité est coupée au niveau du boîtier d'alimentation principal avant le câblage. Tout le câblage doit être conforme aux codes électriques nationaux et locaux et le ventilateur de plafond doit être mis à la terre par mesure de précaution contre un éventuel choc électrique.

- 1 Localisez la solive de plafond où le ventilateur doit être monté, en vous assurant que l'emplacement est conforme aux exigences de la section de dégagement minimum de ce guide. Les solives de bois doivent être solides et de taille adéquate pour supporter 35 livres (Voir page 2, items 3 et 4).
- 2 S'il n'est pas déjà présent, montez une boîte de sortie homologuée UL portant la mention "adapté au support de ventilateur" en suivant les instructions fournies avec la boîte de sortie. La boîte de sortie doit pouvoir supporter un minimum de 35 livres.
- 3 Fixez le support de suspension à la boîte de sortie à l'aide des vis fournies avec la boîte de sortie.



## SUSPENDRE LE VENTILATEUR

- 1 Retirez la boule de la tige de suspension en desserrant la vis de réglage sur le côté de la boule. Faites glisser la boule vers le bas et retirez la goupille transversale ; retirez la balle. (Fig. 1)
- 2 Soutenez soigneusement le corps du ventilateur (moteur) dans son emballage en polystyrène avec le collier de montage (d'où sortent les fils) vers le haut.
- 3 Desserrez les deux vis de sécurité et retirez la goupille de la tige de suspension et la goupille fendue de l'accouplement sur le dessus de l'ensemble moteur. (Fig. 2)
- 4 Faites passer avec précaution les fils électriques et le câble de sécurité du ventilateur à travers la tige de suspension. Vissez la tige de suspension dans le coupleur jusqu'à ce que les trous soient alignés. Insérez la goupille de la tige de suspension dans les trous du collier de montage et de la tige de suspension ; clipsez la goupille fendue dans le petit trou à l'extrémité de la goupille de la tige de suspension pour maintenir la tige de suspension en place.
- 5 Serrez les vis de sécurité contre la tige de suspension à l'aide d'un gros tournevis à lame plate pour assurer un ajustement serré contre la tige de suspension.

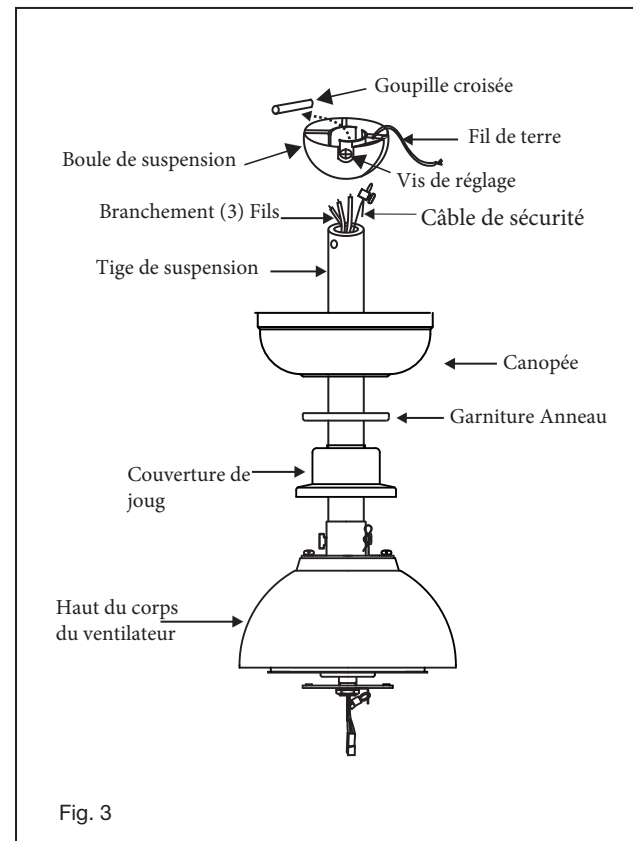


- 1 Glissez le couvercle de joug, l'anneau de garniture et l'auvent sur la tige de suspension. (Fig. 3)
- 2 Faites glisser la boule de suspension sur la tige de suspension, insérez la goupille transversale à travers la tige de suspension et serrez. Serrer la vis de réglage.

**NOTE:**

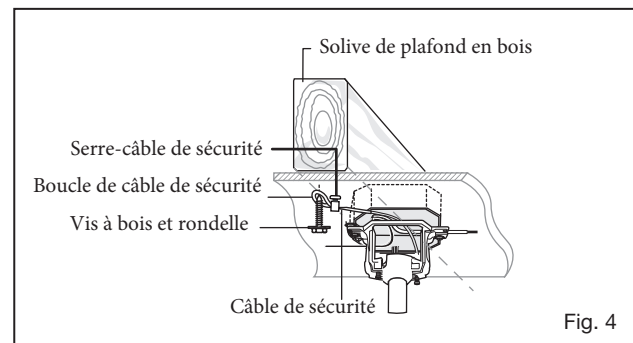
Le ventilateur a 6 pieds de fil de raccordement au cas où vous utiliseriez une longue tige de rallonge.

- 3 Soulevez la boule/la tige de suspension/le ventilateur dans l'ouverture du support de suspension.  
REMARQUE : La languette opposée à l'ouverture du support de suspension doit s'insérer dans la fente de la rotule. (Fig. 4)



**INSTALLATION DU SUPPORT DU CÂBLE DE SÉCURITÉ**

Fixez la vis à bois et la rondelle plate à la solive de plafond comme illustré (ne serrez pas complètement). Faites glisser le serre-câble sur le câble de sécurité du ventilateur. Enroulez le câble de sécurité autour de la vis à bois qui vient d'être fixée à la solive du plafond. Faites passer l'extrémité du câble dans la pince et tirez autant de câble que possible. Serrez fermement la vis dans la pince. Coupez l'excédent de câble et serrez la vis à bois sur la solive du plafond.



## CONNECTIONS ELECTRIQUES

N'OUBLIEZ PAS - Coupez l'alimentation ! REMARQUE - La commande doit être installée dans 30 pieds de ventilateur.

AVERTISSEMENTS : Vérifiez que toutes les connexions sont bien serrées, y compris la terre, et qu'aucun fil dénudé n'est visible au niveau des serre-fils, à l'exception du fil de terre.

ATTENTION : Pour réduire le risque de choc électrique, ce ventilateur doit être installé avec une commande/interrupteur mural isolant.

1. Insérez le récepteur dans le boîtier du moteur avec le côté plat du récepteur face au plafond. (Fig. 1) Pour de meilleures performances, assurez-vous que l'antenne noire et l'antenne WIFI, à l'extrémité du récepteur, restent étendues et ne s'emmêlent avec aucun des fils électriques.

2. Effectuez les connexions des câbles entre le ventilateur et le récepteur. Pour ça étape utiliser le faisceau de 5 fils sur le récepteur. (Fig. 2)

Connectez le fil JAUNE du ventilateur au fil JAUNE du récepteur.

Connectez le fil GRIS du ventilateur au fil GRIS du récepteur.

Connectez le fil neutre du ventilateur ROUGE au fil neutre du récepteur ROUGE.

Connectez le fil BLANC du kit d'éclairage neutre du ventilateur au fil BLANC du récepteur marqué « For Light ».

Connectez le fil NOIR du kit d'éclairage du ventilateur au fil BLEU du récepteur marqué « For Light ».

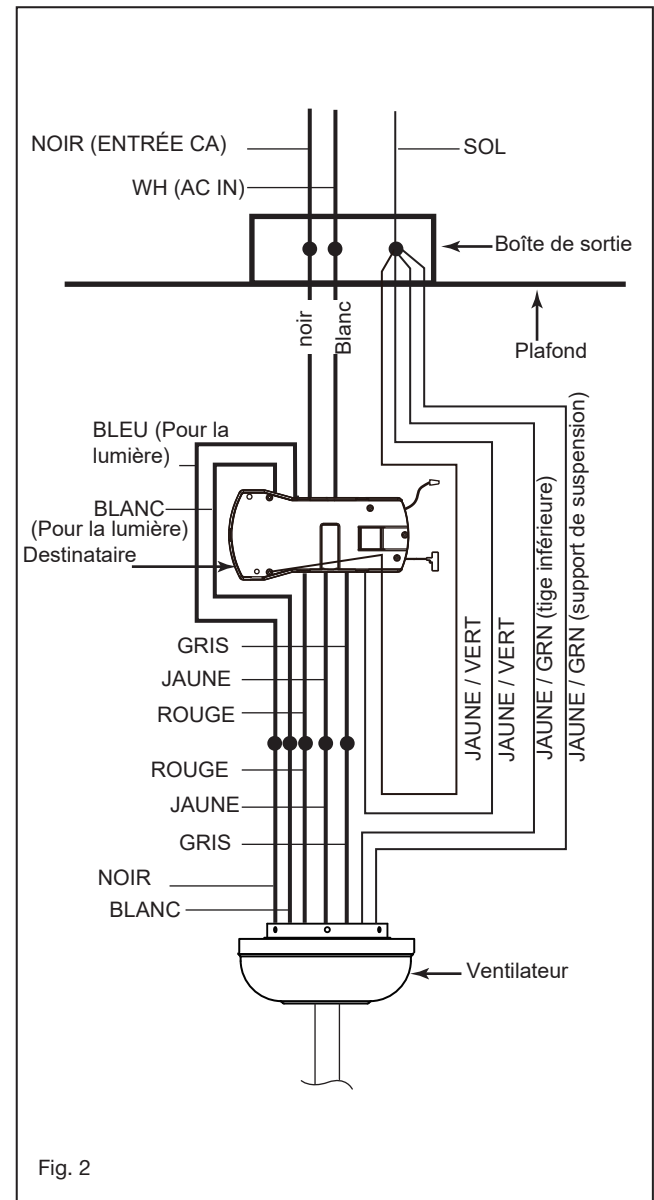
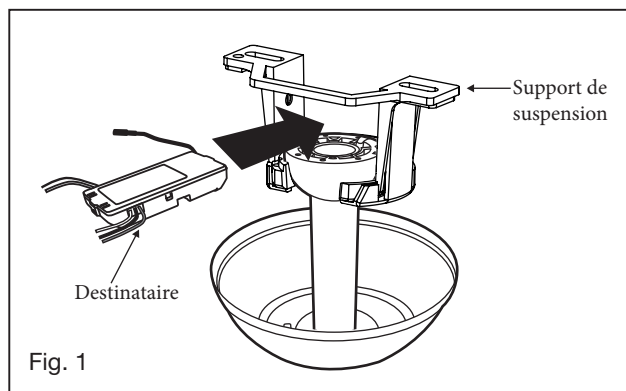
Les couleurs des fils sortant du ventilateur sont noir/blanc pour le kit d'éclairage. Les fils du kit d'éclairage du contrôleur/récepteur sont bleus/blancs.

3. Connectez le câblage du plafond au récepteur. (Utilisez le faisceau de 2 fils sur le récepteur.) Fixez avec les serre-fils fournis.

Connectez le fil NOIR d'alimentation du bâtiment au fil NOIR du récepteur.

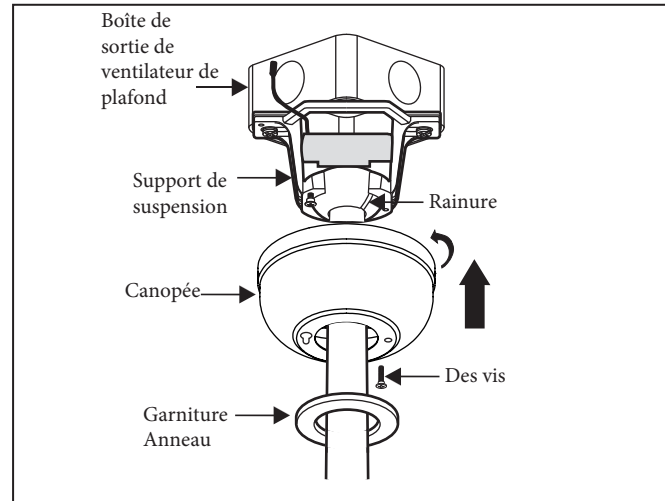
Connectez le fil neutre BLANC du récepteur au fil neutre BLANC du bâtiment.

Connectez le fil de terre du bâtiment en CUIVRE aux 4 fils de terre JAUNE/VERT du ventilateur et du récepteur.



## FIN DE L'INSTALLATION

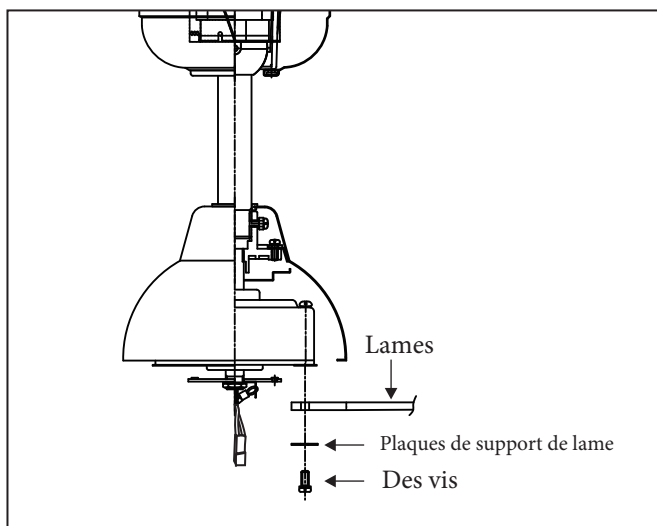
- 1 Rentrez soigneusement les connexions dans la boîte de sortie au plafond.
- 2 Retirez une vis du support et faites glisser l'auvent jusqu'au support de montage et placez le trou de serrure sur la vis du support de montage, tournez l'auvent jusqu'à ce qu'il se verrouille en place dans la section étroite des trous de serrure. Alignez le trou circulaire sur la verrière avec le trou restant sur le support de montage, fixez en serrant les deux vis de réglage.
- 3 REMARQUE : Ajustez les vis de la verrière au besoin jusqu'à ce que la verrière et l'anneau de garniture soient bien ajustés.



### AVERTISSEMENT:

Assurez-vous que le crochet du support de suspension repose correctement dans la rainure de la boule de suspension avant de fixer l'auvent au support en tournant le boîtier jusqu'à ce qu'il se mette en place.

## FIXATION DE LA LAME

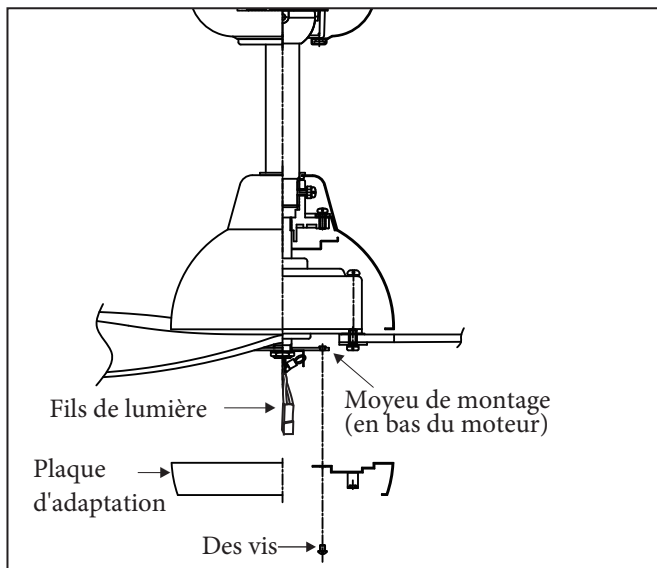


ATTENTION : Retirez les deux supports de garniture en caoutchouc du moteur du ventilateur et jetez-les avant de fixer les pales.  
Insérez la lame dans la fente du boîtier. Aligned les trous sur la pale et le moteur du ventilateur et fixez avec les plaques de support de pale et les vis de fixation de pale.

### NOTE:

Les tournevis électriques sans fil ne sont PAS recommandés, car ils dénudent généralement les têtes des vis et ne compriment généralement pas complètement les rondelles de blocage sur les vis du moteur. Utilisez un grand tournevis à lame plate pour le serrage final afin de comprimer complètement les rondelles. Cela aidera à assurer un bon alignement des lames et un fonctionnement sans bruit et sans oscillation.

## INSTALLATION DE LA PLAQUE D'ADAPTATION



REMARQUE : Assurez-vous que l'alimentation est coupée avant l'installation.

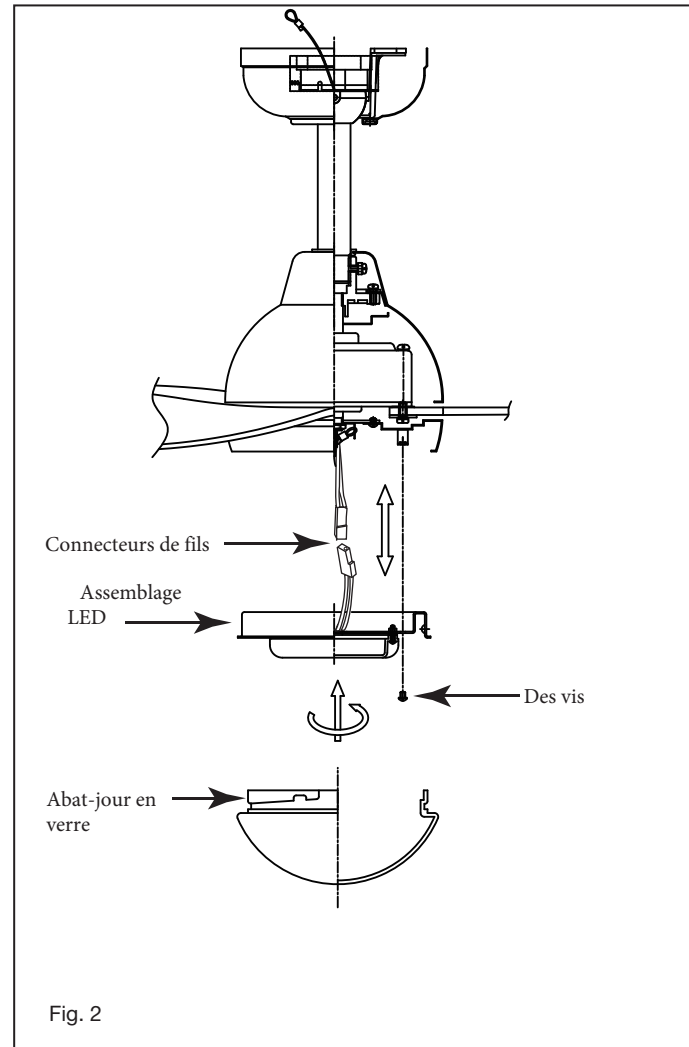
- 1 Retirez l'une des trois vis du moyeu de montage situé sur le moteur du ventilateur. Desserrez les 2 autres vis. (Ne pas enlever)
- 2 Passez les fils de lumière à travers le trou central de la plaque d'adaptation.
- 3 Placez les trous de clé sur la plaque d'adaptation sur les 2 vis précédemment desserrées, tournez la plaque d'adaptation jusqu'à ce qu'elle se verrouille en place au niveau de la section étroite des trous de clé. Fixez en serrant les 2 vis précédemment desserrées et celle précédemment retirée.



## INSTALLATION DE L'ENSEMBLE LED ET DE L'ABAT-JOUR EN VERRE

REMARQUE : Assurez-vous que l'alimentation est coupée avant l'installation.

- 1 Retirez l'une des trois vis de la plaque d'adaptation située sur le moteur du ventilateur. Desserrez les 2 autres vis. (Ne pas retirer) (Fig. 2)
- 2 Tout en tenant l'ensemble LED sous votre ventilateur, effectuez les connexions des fiches polarisées : (Fig. 2)
  - Blanc à blanc
  - Noir sur noir
- 3 Rentrez soigneusement les connexions dans la plaque d'adaptation. Placez les trous de clé sur l'ensemble LED sur les 2 vis précédemment desserrées, tournez l'ensemble LED jusqu'à ce qu'il se verrouille en place au niveau de la section étroite des trous de clé. Fixez en serrant les 2 vis précédemment desserrées et celle précédemment retirée.
- 4 Soulevez l'abat-jour en verre contre l'ensemble LED et tournez dans le sens des aiguilles d'une montre jusqu'à ce qu'il soit bien ajusté, NE PAS TROP SERRER.
- 5 Rétablissez l'alimentation et votre ensemble LED est prêt à fonctionner..



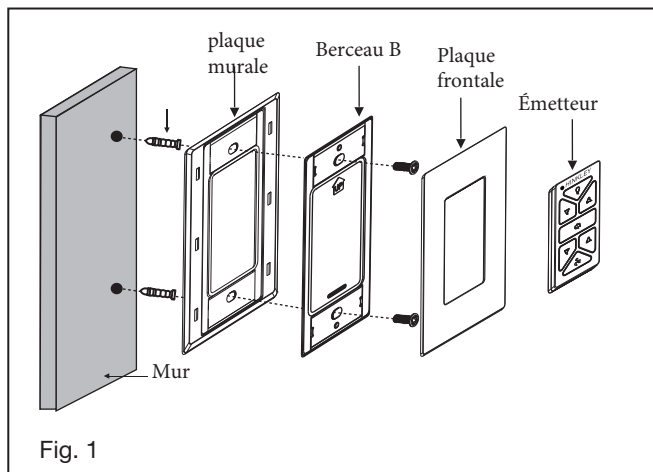
## INSTALLATION DE LA COMMANDE MURALE

N'OUBLIEZ PAS de couper l'alimentation avant de commencer.

REMARQUE - Se fixe à n'importe quelle surface ou application : mur plat, boîte simple, boîte multiple.

Option 1. Installation sur une surface plane

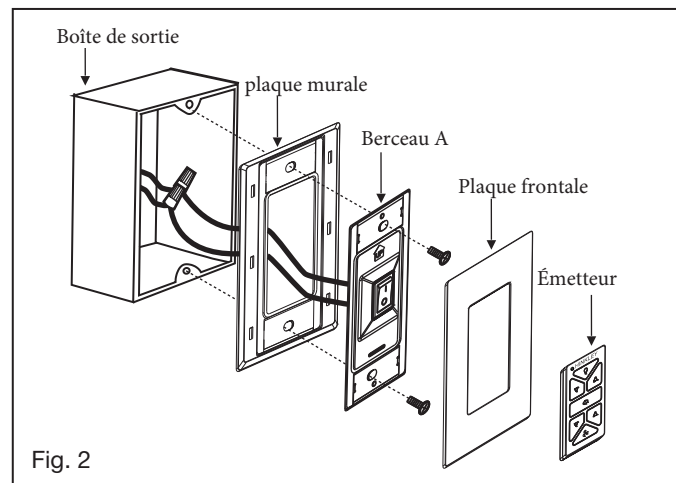
- 1 Sélectionnez un emplacement souhaité. Utilisez la plaque murale pour marquer l'emplacement des trous de montage. Des ancrages muraux en plastique ou des vis de montage sont nécessaires pour cette application. (Fig. 1)
- 2 Installez le berceau B dans la plaque murale. Fixez la plaque murale au mur à l'aide du matériel fourni.
- 3 Enclenchez le couvercle de la plaque frontale sur le support mural.
- 4 L'émetteur à distance sera maintenu en place avec des aimants intégrés



**HIRO** Système de contrôle HIRO

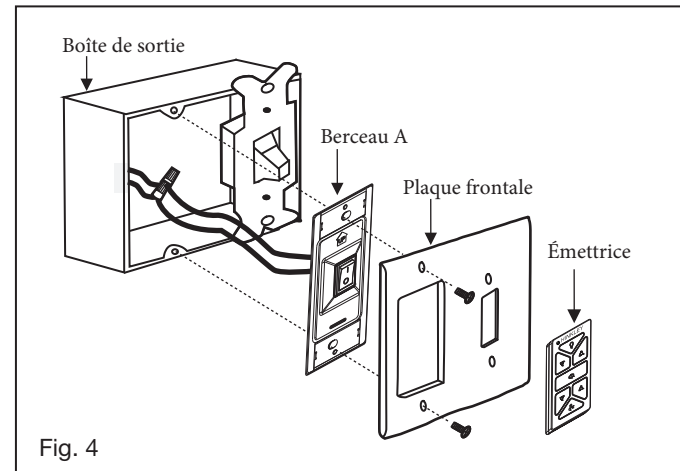
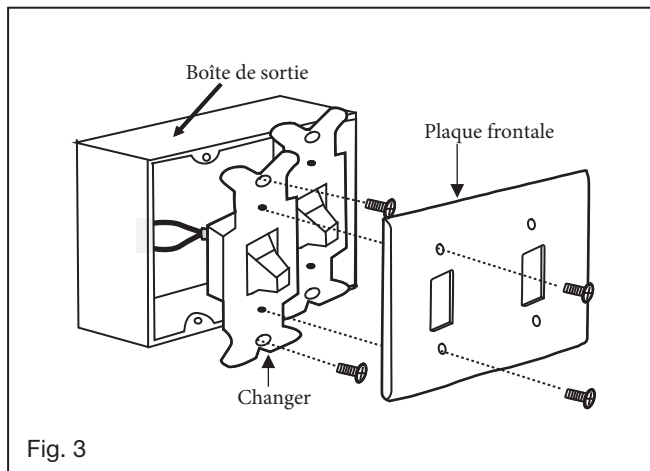
Option 2. Pour boîte simple

- 1 Retirez la plaque murale existante et l'ancien interrupteur de la boîte de prise murale.
- 2 Installez le berceau A dans la plaque murale. (Fig. 2)
- 3 Connectez les fils conducteurs noirs de l'interrupteur du berceau A aux fils noirs du boîtier de l'interrupteur. Le fil d'entrée sous tension vers l'un des fils de l'interrupteur du socle A. Le fil d'alimentation du ventilateur est connecté au fil restant de l'interrupteur.
- 4 Connectez l'ensemble plaque murale / berceau A à la boîte de prise murale à l'aide du matériel fourni.
- 5 Enclenchez le couvercle de la plaque frontale sur le support mural.
- 6 L'émetteur à distance sera maintenu en place avec des aimants intégrés..



### Option 3. Installation d'un boîtier d'interrupteur mural multi-groupes

- 1 Retirez la plaque murale existante et l'ancien interrupteur de la boîte de prise murale. (Fig. 3)
- 2 Connectez les fils conducteurs noirs de l'interrupteur du berceau A aux fils noirs du boîtier de l'interrupteur. Fil d'entrée sous tension vers l'un des fils de l'interrupteur du socle. Le fil d'alimentation du ventilateur est connecté au fil restant de l'interrupteur. (Fig. 4)
- 3 Fixez le socle A au boîtier de l'interrupteur mural à l'aide du matériel fourni.
- 4 Fixez la façade multi-gang à l'ensemble d'interrupteurs dans la boîte de prise murale. Le berceau A de l'interrupteur Hinkley s'adapte à n'importe quelle plaque frontale Decora standard.
- 5 L'émetteur à distance sera maintenu en place avec des aimants intégrés.



 **HIRO** HIRO Control System

## OPÉRATION

Votre moteur CC sans balais est équipé d'une télécommande de type à apprentissage automatique. Il n'y a pas de commutateurs de fréquence sur le récepteur ou l'émetteur. Le ventilateur peut commencer à fonctionner une fois le processus d'appariement terminé. Retirez le panneau de l'émetteur, puis installez une pile 2032 (incluse). Vous devez utiliser une pièce de monnaie pour ouvrir ou fermer le couvercle de la batterie. Pour éviter d'endommager l'émetteur, retirez la batterie si elle n'est pas utilisée pendant de longues périodes (Fig. 1)



**AVERTISSEMENT** : risque de brûlure chimique. Gardez les piles hors de portée des enfants.

Ce produit contient une pile bouton/bouton au lithium. Si une pile bouton/bouton au lithium neuve ou usagée est avalée ou pénètre dans le corps, elle peut provoquer de graves brûlures internes et entraîner la mort en moins de 2 heures. Fixez toujours complètement le compartiment à piles. Si le compartiment des piles ne se ferme pas correctement, arrêtez d'utiliser le produit, retirez les piles et tenez-le hors de portée des enfants. Si vous pensez que des piles ont été avalées ou placées à l'intérieur d'une partie du corps, consultez immédiatement un médecin.

Les piles doivent être éliminées de manière appropriée, y compris en les gardant hors de portée des enfants ; Même les cellules usagées peuvent causer des blessures.

- 1 bouton: Appuyez sur ce bouton et relâchez-le instantanément pour allumer ou éteindre la lumière.
- 2 bouton: Appuyez et maintenez pour atténuer ou augmenter les lumières au niveau désiré et relâchez.
- 3 bouton: Appuyez sur ce bouton pour régler la direction du vent du ventilateur vers le haut ou vers le bas.
- 4 bouton: Appuyez sur le bouton pour allumer et régler 1-6 vitesses de ventilateur.
- 5 bouton: Appuyez sur ce bouton pour éteindre le ventilateur.
- 6 Signal lumineux (Fig. 2)

Processus d'appariement

**REMARQUE** : Si vous installez/jumelez plus d'un ventilateur dans une zone, l'alimentation doit être déconnectée de tous les ventilateurs, à l'exception du ventilateur jumelé.

Le ventilateur étant hors tension, rétablissez l'alimentation du ventilateur. Appuyez et maintenez le bouton " " pendant environ 5 secondes et relâchez. Si le kit d'éclairage en option est installé, le kit d'éclairage clignote trois fois et le moteur tourne pendant 10 secondes à basse vitesse. Le ventilateur a terminé le processus d'appariement avec la commande murale et est prêt à l'emploi.

**REMARQUE** : Un seul ventilateur peut être contrôlé avec jusqu'à 3 commandes murales dans une pièce. Chaque contrôle devra répéter le processus d'appariement en fonction des instructions ci-dessus et tous les contrôles doivent être à moins de 30 pieds du ventilateur

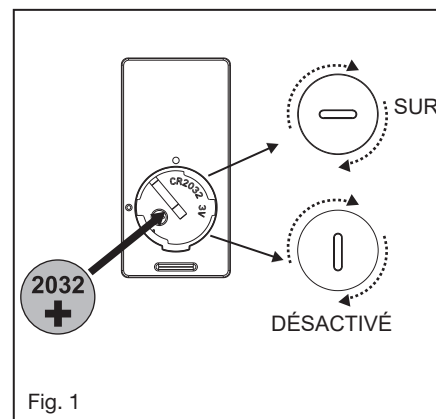


Fig. 1

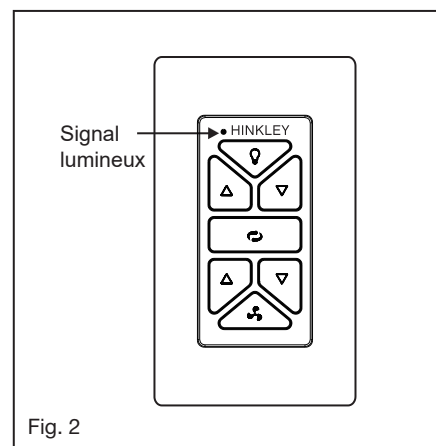
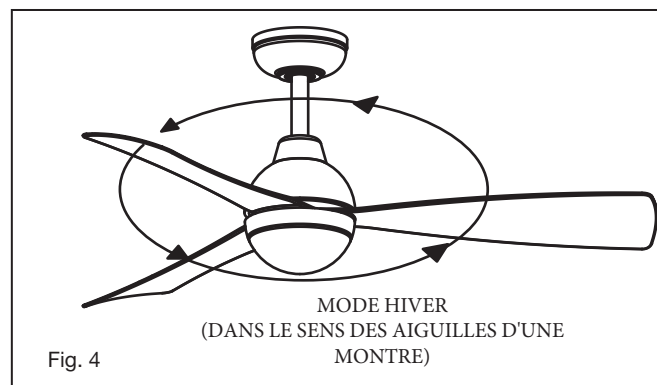
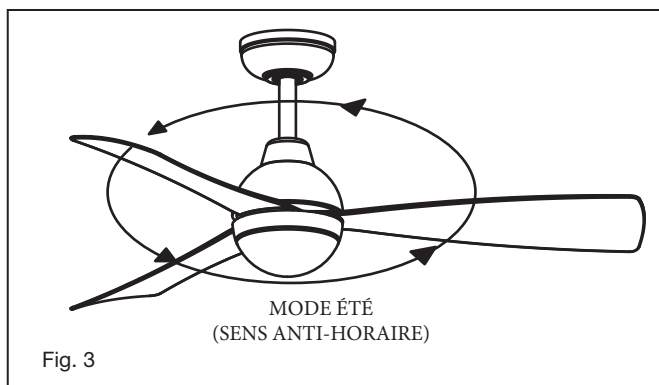


Fig. 2

**HIRO** Système de contrôle HIRO

### Fonctionnement en mode été et en mode hiver

- 7 **IMPORTANT** : Pour éviter tout dommage ou blessure, assurez-vous que le ventilateur est éteint et que les pales ont complètement cessé de bouger avant d'essayer de changer le sens de rotation. L'interrupteur de marche arrière est situé sur le dessus du boîtier du moteur. Faites glisser le commutateur vers la droite pour le fonctionnement en mode hiver. Faites glisser le commutateur vers la gauche pour le fonctionnement en mode été. Assurez-vous que l'interrupteur n'est pas coincé entre les positions avant et arrière.
- 8 Mode été (avant):
- 9 Un flux d'air **VERS LE BAS** crée un effet de refroidissement comme illustré à la Figure 3. Cela vous permet de régler votre climatiseur sur un réglage plus chaud sans affecter votre confort.
- 10 Mode hiver (marche arrière) :  
Un flux d'air **VERS LE HAUT** déplace l'air plus chaud hors de la zone du plafond, comme illustré à la Figure 4. Cela vous permet de régler votre appareil de chauffage sur un réglage plus frais sans affecter votre confort.



## ENTRETIEN ET NETTOYAGE

Périodiquement, il peut être nécessaire de resserrer les vis du bras de lame ou du bras de lame sur le moteur pour éviter les cliquetis ou les bourdonnements pendant le fonctionnement. Cela est particulièrement vrai dans les climats avec de larges plages de température et d'humidité.

Lors du dépeussierage des lames, vous devez soutenir la lame pour éviter qu'elle ne se plie - aucune pression ne doit être appliquée sur les lames. Si vous rencontrez des défauts dans le fonctionnement de votre ventilateur, veuillez vérifier les points suivants.

## DÉPANNAGE

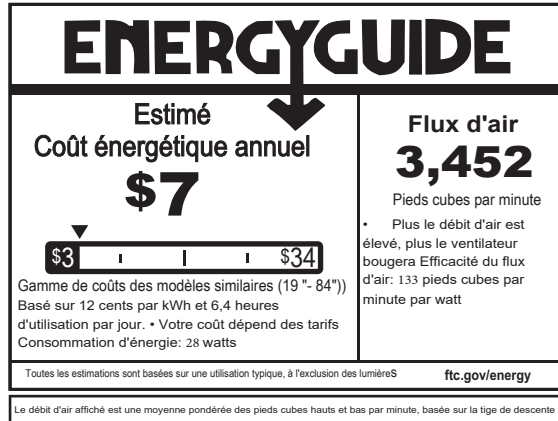
AVERTIR:  
Couper l'alimentation électrique avant d'effectuer l'une de ces vérifications.

PROBLÈME	SOLUTION
LE VENTILATEUR NE DÉMARRE PAS	<ol style="list-style-type: none"><li>1. Vérifiez les fusibles ou les disjoncteurs du circuit.</li><li>2. Vérifiez le voyant DEL de la commande murale. Si la LED n'est pas allumée lorsque vous appuyez sur un bouton, il ne transmet pas de signal. Veuillez vérifier l'alimentation de la commande murale/disjoncteur et toutes les connexions électriques.</li><li>3. Assurez-vous qu'il n'y a pas plus de 2 ventilateurs fonctionnant sur un circuit à travers la commande murale. Assurez-vous qu'il n'y a pas plus de 12 ventilateurs fonctionnant sur un circuit via un interrupteur mural marche/arrêt ou un disjoncteur (et non via une commande murale).</li><li>4. Assurez-vous que le ventilateur est à portée du Wi-Fi (150 pieds) ou de la commande murale (30 pieds).</li></ol>
LE VENTILATEUR SONNE BRUYANT	<ol style="list-style-type: none"><li>1. Prévoyez une période de « rodage » de 24 heures. La plupart des bruits associés à un nouveau ventilateur disparaîtront pendant cette période.</li><li>2. Assurez-vous que toutes les vis du boîtier du moteur sont bien serrées.</li><li>3. Assurez-vous que les vis qui fixent la pale du ventilateur au ventilateur sont bien serrées.</li><li>4. Assurez-vous que votre boîte de plafond est sécurisée et que des coussinets isolants en caoutchouc sont utilisés entre le support de montage et la boîte de sortie.</li></ol>
LE VENTILATEUR VAGUE	<ol style="list-style-type: none"><li>1. Vérifiez que toutes les vis de lame et de bras de lame sont bien fixées.</li><li>2. Si l'oscillation de la lame est toujours perceptible, l'échange de deux lames adjacentes (côte à côte) peut redistribuer le poids et éventuellement entraîner un fonctionnement plus fluide.</li><li>3. Assurez-vous que toutes les tiges de suspension du matériel du moteur et/ou de la boule de suspension sont bien serrées.</li><li>4. Assurez-vous que la boîte de plafond est sécurisée.</li></ol>

## GUIDE ÉNERGÉTIQUE

## CARACTÉRISTIQUES

### PERFORMANCE MOYENNE ET INFORMATIONS ÉNERGÉTIQUES



SPÉCIFICATIONS DE PERFORMANCE	STANDARD	
	GRANDE VITESSE	FAIBLE VITESSE
Débit d'air (CFM)	5504	1127
Consommation d'énergie (watts)	39.9	2.6
Efficacité du flux d'air (CFM / W)	138	438
Coûts énergétiques (annuels)	\$7	\$1
Amplis	0.56	0.04
RPMs	200	45

## TÉLÉCHARGEMENT DE L'APPLICATION HINKLEY

### INSTRUCTIONS POUR L'APPLICATION HINKLEY :

En plus de la commande murale incluse, vous pouvez contrôler votre ventilateur Hinkley via l'application Hinkley.

- Pour utiliser l'application Hinkley, téléchargez-la gratuitement depuis l'App Store ou Google Play.
- Ouvrez l'application Hinkley où vous serez invité à créer un compte.
- Entrez toutes les informations nécessaires pour créer un compte.
- Une fois le compte créé, vous recevrez un e-mail de code de vérification pour terminer la configuration de l'application Hinkley (vérifiez le dossier spam si l'e-mail n'est pas reçu.)
- Confirmez que Bluetooth est activé pour permettre au ventilateur et à l'application Hinkley de se connecter l'un à l'autre.
- Cliquez sur Ajouter un appareil sur l'écran d'accueil et sélectionnez le ventilateur souhaité.
- L'application Hinkley vous demandera alors d'entrer le nom et le mot de passe WiFi.
- Cliquez sur terminé sur l'application Hinkley pour terminer la connexion du ventilateur.
- L'application Hinkley proposera des options sur l'écran principal pour la vitesse du ventilateur, la gradation et le réglage des minuteries
- Scannez le code QR ci-dessous pour plus d'informations sur le fonctionnement de l'application Hinkley.



SCANNEZ POUR PLUS DE DÉTAILS



HINKLEY EST FIÈRE DE VOUS FOURNIR DES PRODUITS DE VENTILATEUR DE PLAFOND QUI AMÉLIORENT VOTRE ESPACE AVEC CONFORT, OBJECTIF ET STYLE. EN TANT QU'ENTREPRISE FAMILIALE, NOUS NOUS ENGAGEONS À CONCEVOIR, PERFORMANCE ET QUALITÉ, ET CE QUI EST IMPORTANT POUR VOUS EST PARAMOUNT POUR NOUS.

**POUR UN ASSORTIMENT COMPLET DE NOS PRODUITS ET LIVRES DE SOURCE, VISITEZ [HINKLEY.COM](https://www.hinkley.com).**

# HINKLEY

## **GLOBAL HEADQUARTERS**

33000 Pin Oak Parkway | Avon Lake, Ohio 44012

T (440) 653 5500 | F (440) 653 5555 | [hinkley.com](http://hinkley.com)