

# ACCESSORY

## 50500BZ

### POWER POST

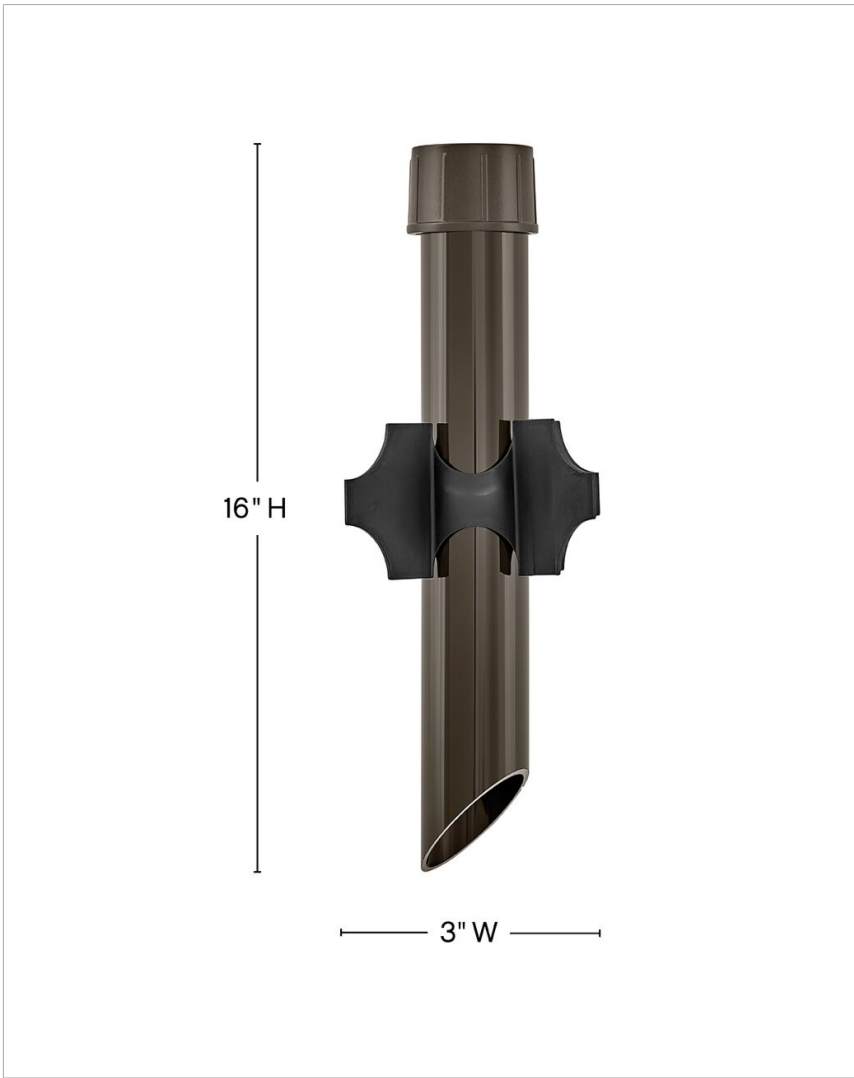
Designed to complement Hinkley Path and Landscape lighting, our Power Posts are made with cast brass or aluminum caps and feature junction compartments compatible with 120-volt landscape fixtures.

DETAILS	
FINISH:	Bronze
MATERIAL:	Aluminum

DIMENSIONS	
WIDTH:	3"
HEIGHT:	16"
WEIGHT:	1.4lb

LIGHT SOURCE	
VOLTAGE:	120v

SHIPPING	
CARTON LENGTH:	6
CARTON WIDTH:	6
CARTON HEIGHT:	16.5
CARTON WEIGHT:	2.3



#### PRODUCT DETAILS:

- Suitable for use in wet (outdoor direct rain) locations as defined by NEC and CEC. Meets United States UL Underwriters Laboratories & CSA Canadian Standards Association Product Safety Standards
- For more information on how to control your landscape lighting via the Hinkley Home Automation App, [click here](#).