

HINKLEY

62" OLIVER™

INDOOR / OUTDOOR LED FAN



WET



DC MOTOR



LED



CERTIFIED



WIFI



**READY
TO USE.
CONTROL
PRE-PAIRED.**

CEILING FAN INSTRUCTION MANUAL



HINKLEY

PAIR WITH HINKLEY APP

DOWNLOAD ON APP STORE or GOOGLE PLAY

WE WANT YOU TO LOVE YOUR NEW FAN

SO WE'RE HERE IF YOU HAVE A QUESTION, NEED SOME HELP OR WANT TO CHAT ABOUT OUR PRODUCTS. SEND SUGGESTIONS OUR WAY TOO—WE'RE ALWAYS LOOKING TO MAKE YOUR EXPERIENCE WITH HINKLEY A POSITIVE ONE.

> SERVICE@HINKLEY.COM

> [800.HINKLEY](tel:800.HINKLEY)

> LET'S SEE THAT HINKLEY STYLE @Hinkleylighting
#HINKLEYSTYLE

This manual contains complete instructions for the installation and operation of this fan. It has been designed to make the installation process as easy as possible. If you are unfamiliar or uncomfortable with wiring, please contact a qualified electrician. If you need additional assistance or have any questions, please reach out to us.

For warranty information, visit hinkley.com.

TABLE OF CONTENTS

02	GENERAL INSTALLATION & OPERATING INSTRUCTIONS	11	INSTALLING THE LED ASSEMBLY
03	IMPORTANT SAFETY PRECAUTIONS	12	INSTALLING THE WALL CONTROL
03	TOOLS & MATERIALS REQUIRED	14	OPERATION
04	UNPACKING YOUR FAN	16	CARE AND CLEANING
05	PREPARATION	16	TROUBLESHOOTING
05	INSTALLING THE HANGING BRACKET	17	ENERGY GUIDE
06	HANGING THE FAN	17	SPECIFICATIONS
08	ELECTRICAL CONNECTIONS	18	DOWNLOADING THE HINKLEY APP
09	CEILING CANOPY INSTALLATION		
10	INSTALLING THE BLADES		

**READY
TO USE.**

**CONTROL
PRE-PAIRED.**

NOTE: If **PAIRING** is necessary, refer to the control pairing instructions in the operations section of this Instructions Manual.

WARNING:

Read and follow these instructions carefully and be mindful of all warnings shown throughout.

GENERAL INSTALLATION & OPERATION INSTRUCTIONS

- 1 To ensure the success of the installation, be sure to read the instructions and review the diagrams thoroughly before beginning.
- 2 To avoid possible electric shock, be sure electricity is turned off at the main power box before wiring. All electrical connections must be made in accordance with local codes, ordinances and/or the National Electric Code. If you are unfamiliar with the methods of installing electrical wiring and products, secure the services of a qualified and licensed electrician as well as someone who can check the strength of the supportive ceiling members and make the proper installation(s) and connections.
- 3 **WARNING:** To reduce the risk of fire, electric shock, or other personal injury, mount fan only on an outlet box or supporting system marked acceptable for fan support of 35 lbs (15.9 kg) or less and use mounting screws provided with the outlet box. Most outlet boxes commonly used for the support of lighting fixtures are not acceptable for fan support and may need to be replaced. Consult a qualified electrician if in doubt.
- 4 Make sure that your installation site will not allow rotating fan blades to come in contact with any object. Blades should be at least 7 feet from floor.
- 5 Blades should be attached after motor housing is hung and in place. Fan motor housing should be kept in the carton until ready to be installed to protect its finish. If you are installing more than one ceiling fan, make sure that you do not mix fan blade sets, as each blade is part of a weighted set.
- 6 After making electrical connections, spliced conductors should be turned upward and pushed carefully up into outlet box. The wires should be spread apart with the common conductor and the grounding conductor on one side of the outlet box, and the "HOT" wires on the other side.
- 7 Electrical diagrams are for reference only. Light kits that are not packed with the fan must be UL listed and should be installed per the light kit's installation instructions.
- 8 After fan is completely installed, check to make sure that all connections are secure to prevent fan from falling and/or causing damage or injury.
- 9 The fan can be made to work immediately after installation - the bearings are adequately charged with grease so that, under normal conditions, further lubrication should not be necessary for the life of the fan.
- 10 To operate the reverse function on this fan, press the reverse button while the fan is running.
- 11 **CAUTION:** Do not ingest battery - Chemical burn hazard. Keep new and used batteries away from children.
- 12 The remote control supplied with a coin/button cell battery. If the coin/button cell battery is swallowed, it can cause severe internal burns in just 2 hours and can lead to death.
- 13 If the battery compartment does not close securely, stop using the product and keep it away from children.
- 14 If you think batteries might have been swallowed or placed inside any part of the body, seek immediate medical attention.

IMPORTANT SAFETY PRECAUTIONS

WARNINGS:

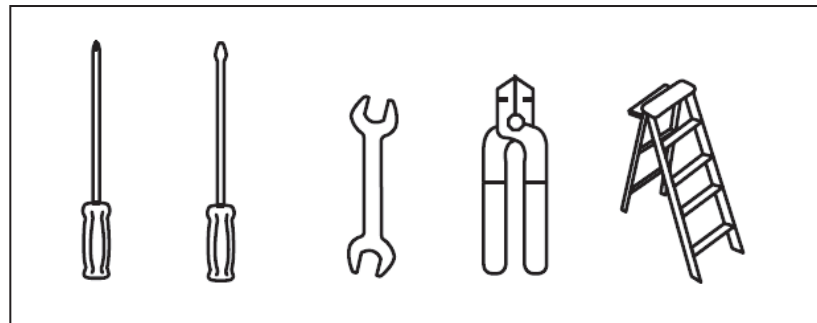
- Disconnect power by removing fuse or turning off circuit breaker before installing the fan and/or optional lighting.
- Support directly from building structure.
- To reduce the risk of fire, electric shock or personal injury, mount to outlet box marked "acceptable for fan support" and use mounting screws provided with the outlet box. Most outlet boxes commonly used for the support of lighting fixtures are not acceptable for fan support and may need to be replaced. Consult a qualified electrician if in doubt.
- Do not use an incandescent light dimmer. Do not use this fan with any transformer type fan speed control device.
- To reduce the risk of personal injury, do not bend the blade arms when installing them, balancing the blades or cleaning the fan. Do not insert any object(s) between rotating fan blades.

NOTE:

The important precautions, safeguards and instructions appearing in this manual are not meant to cover all possible conditions and situations that may occur. It must be understood that common sense, caution and carefulness are factors which cannot be built into this product. These factors must be supplied by the person(s) installing, caring for and operating the unit.

TOOLS & MATERIALS REQUIRED

- PHILLIPS SCREWDRIVER
- FLAT SCREWDRIVER
- WRENCH OR PLIERS
- WIRE CUTTER
- STEPLADDER
- WIRING SUPPLIES AS REQUIRED BY ELECTRICAL CODE



UNPACKING YOUR FAN

UNPACK YOUR FAN AND CHECK THE CONTENTS.

- Do not discard the carton. If warranty replacement or repair is ever necessary, the fan should be returned in original packing. Remove all parts and hardware. Do not lay motor housing on its side, or the decorative housing may shift, be bent or damaged.
- Examine all parts. You should have the following:

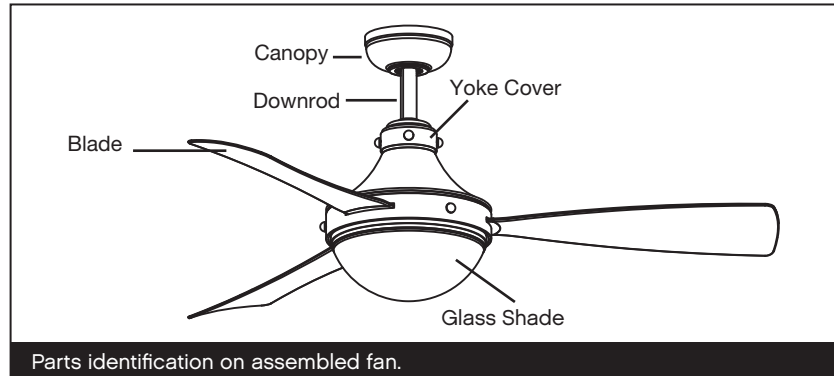
	OLIVER PACKAGE CONTENT	
1	Blade Set of 3	BL905962Fxx
2	Blade support plates	X
3	Hanging Bracket	CA902672Fxx
4	Ceiling Canopy and Trim Ring	
5	Downrod Asm.	DR94016Fxx
6	Yoke cover	YC905950Fxx
7	Fan Housing with Motor *Remove rubber shipping supports around motor, if applicable. Save the screws.	X
8	24W LED Assembly	LK905950Fxx
9	Receiver Incl. 5 Wire Nuts	CWT905962
10	HIRO Wall Control w/2032 Battery, Cradle A, Wall Plate, Face Plate, 2 Mounting Screws, Cradle B (for flat wall use only)	980014FWH-R
11	Hardware Bag	
	Bracket Mounting Hardware (wood screws, screws, lock washers, star washers, flat washers, wire nuts), Blade to Motor Screws w/Lock Washers, Balance Kit, Safety cable hardware (wood screw, flat washer)	MH905950Fxx
<p>NOTE: Design of parts shown above may look slightly different for your specific model of fan.</p> <p style="text-align: right;">XX=FAN FINISH</p>		

PREPARATION

PREPARATION:

Verify you have all parts before beginning the installation. Check pulp insert closely for missing parts. Remove motor from packing. To avoid damage to finish, assemble motor on soft padded surface or use the original pulp insert in motor box.

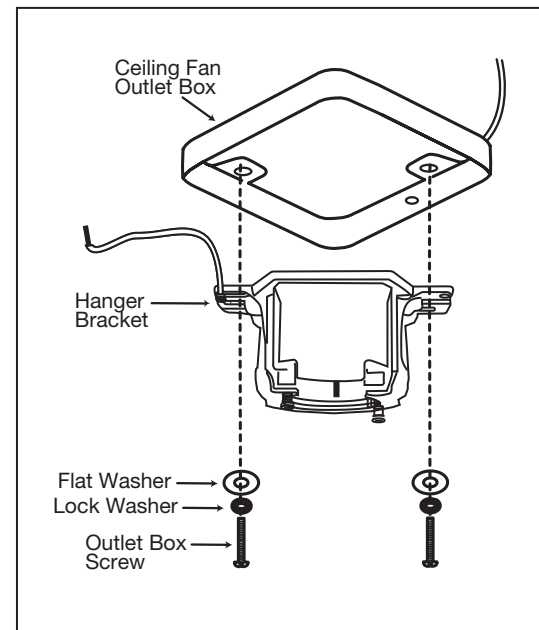
DO NOT LAY MOTOR HOUSING ON ITS SIDE AS THIS COULD RESULT IN SHIFTING OF MOTOR IN DECORATIVE ENCLOSURE.



INSTALLING THE HANGING BRACKET

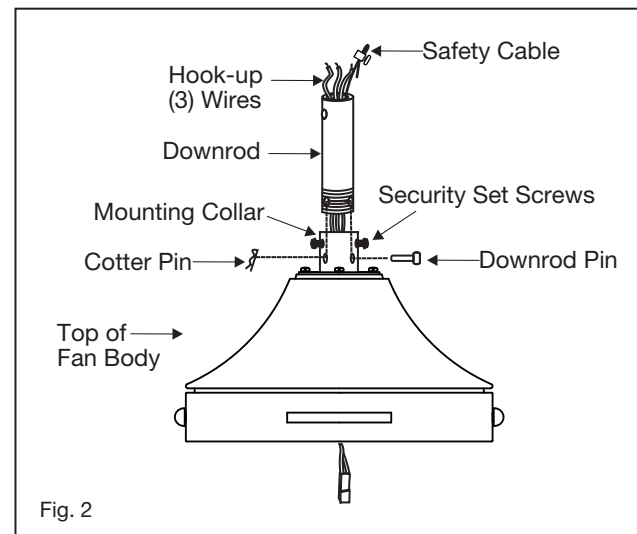
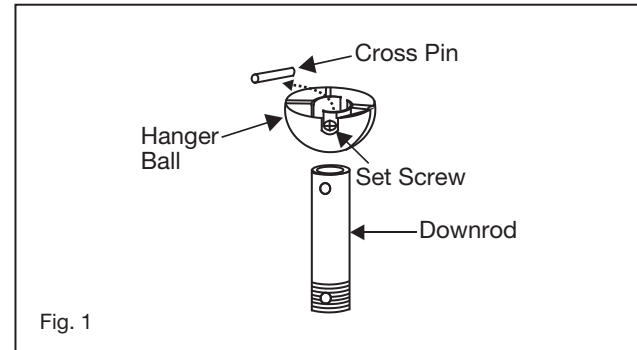
CAUTION: To avoid possible electrical shock, be sure electricity is turned off at the main power box before wiring. All wiring must be in accordance with National and Local Electrical Codes and the ceiling fan must be grounded as a precaution against possible electric shock.

- 1 Locate ceiling joist where fan is to be mounted, being sure location agrees with the requirements in the minimum clearance section of this guide. Wood joists must be sound and of adequate size to support 35 pounds (See page 2, items 3 and 4).
- 2 If not already present, mount a UL listed outlet box marked "suitable for fan support" following the instructions provided with the outlet box. The outlet box must be able to support a minimum of 35 pounds.
- 3 Remove canopy from hanger bracket. Remove twist-lock trim ring by rotating counter-clockwise. Remove canopy screw that does not have key slot in canopy. Loosen screw with key slot and remove canopy.
- 4 Attach hanging bracket to outlet box using screws provided with the outlet box.



HANGING THE FAN

- 1 Remove ball from downrod by loosening set screw in the side of the ball. Slide ball down and remove cross pin; remove ball. (Fig. 1)
- 2 Carefully support fan body (motor) in its pulp packing with the mounting collar (where the wires come out) facing upward.
- 3 Loosen the two security set screws and remove the downrod pin and cotter pin from the coupler on top of the motor assembly. (Fig. 2)
- 4 Carefully feed the electrical lead wires and safety cable from the fan through the downrod. Thread downrod into coupler until holes align. Insert downrod pin through holes in mounting collar and downrod; clip cotter pin through small hole in end of downrod pin to hold downrod in place.
- 5 Tighten security set screws against downrod using a large flat blade screwdriver to ensure a tight fit against downrod.

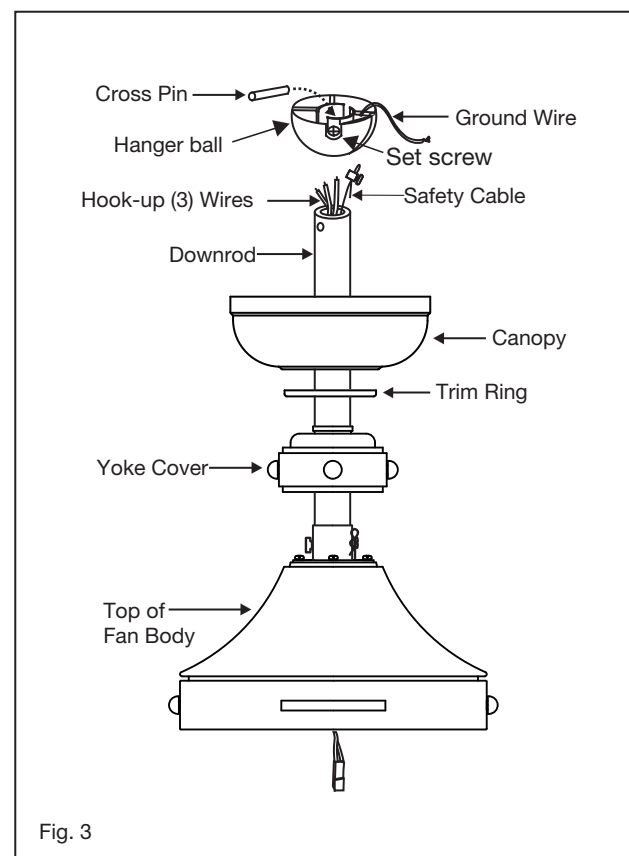


- 1 Slip the yoke cover, trim ring and canopy onto the downrod. (Fig. 3)
- 2 Slide the hanger ball onto the downrod, insert the cross pin through the downrod and tighten. Tighten the set screw.

NOTE:

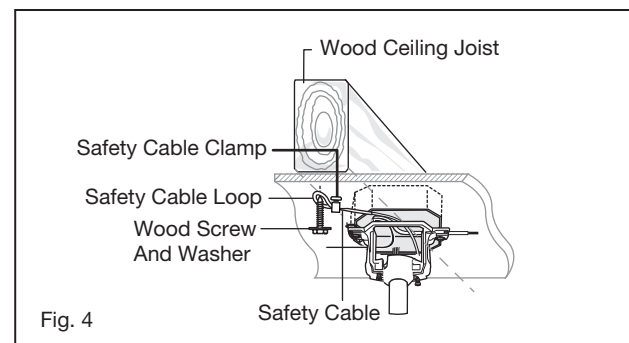
Fan has 6 feet of hook-up wire in case you are using a long extension downrod.

- 3 Lift ball/downrod/fan into hanger bracket opening.
NOTE: The tab opposite hanger bracket opening should fit in slot on ball. (Fig. 4)



INSTALLATION OF SAFETY CABLE SUPPORT

Attach the wood screw and the flat washer to the ceiling joist as shown (do not fully tighten). Slide the cable clamp onto the safety cable from the fan. Loop the safety cable around the wood screw that was just attached to ceiling joist. Feed the end of the cable into the clamp and pull as much cable through as possible. Firmly tighten screw in the clamp. Cut off excess cable and tighten the wood screw to ceiling joist.



ELECTRICAL CONNECTIONS

REMEMBER -Turn off the power! **NOTE** - Control must be installed within 30 feet of fan.

WARNINGS: Check to see that all connections are tight, including ground, and that no bare wire is visible at the wire nuts, except for the ground wire.

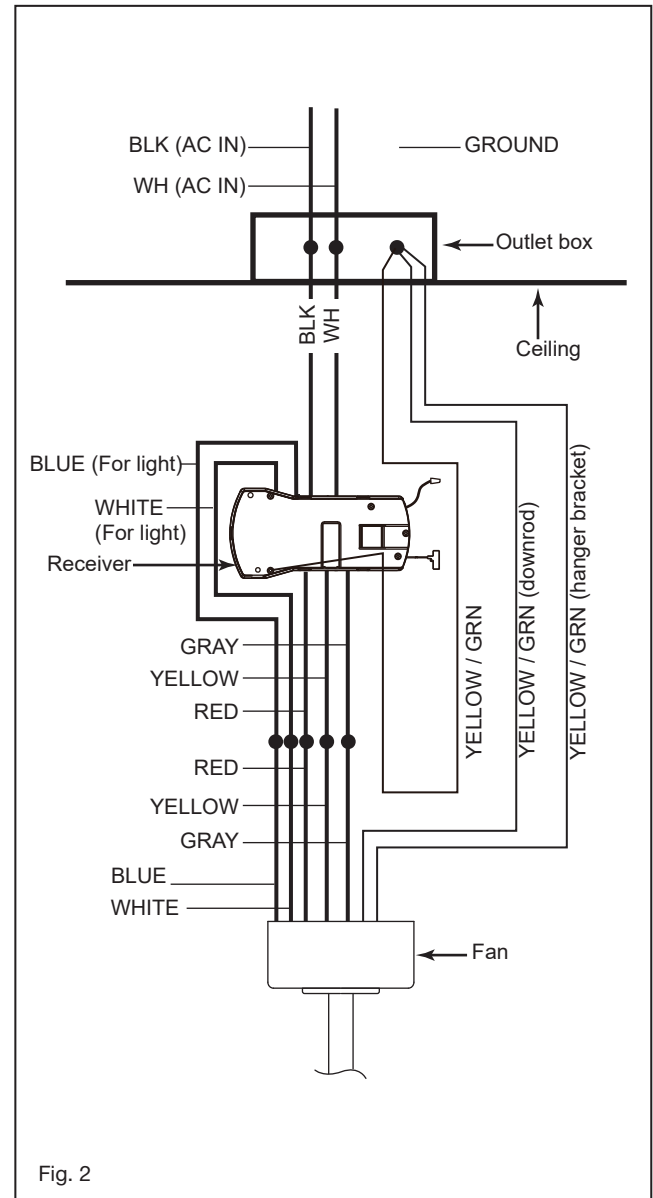
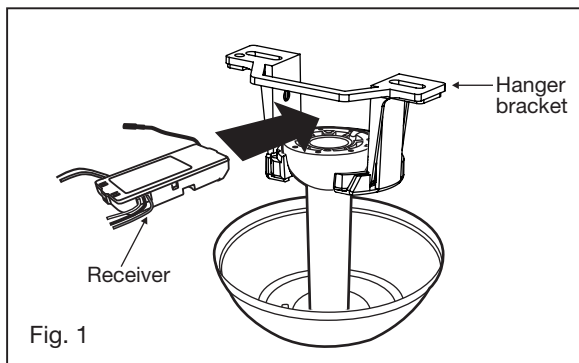
CAUTION: To reduce the risk of electric shock, this fan must be installed with an isolating wall control/switch.

1. Insert the receiver into the ceiling mounting bracket with the flat side of the receiver facing the ceiling. (Fig. 1) For best performance, make sure the Black Antenna and WIFI Antenna, on the end of the receiver, remains extended and not tangled with any of the electrical wires.
2. Make wire connections from the fan to the receiver unit. For this step use the bundle of 5 wires on the receiver. (Fig. 2)

Connect the YELLOW fan wire to the YELLOW receiver wire.
 Connect the GRAY fan wire to the GRAY receiver wire.
 Connect the RED fan neutral wire to the RED receiver neutral wire.
 Connect the WHITE neutral light kit lead from the fan to WHITE receiver lead marked "For Light".
 Connect the BLUE light kit lead from the fan to BLUE receiver lead marked "For Light".
 Wire colors out of the fan are blue/white for the light kit. Light kit leads from the controller/receiver are blue/white.

3. Connect the wiring from the ceiling to the receiver unit. (Use the 2 wire bundle on the receiver.) Secure with supplied wire nuts.

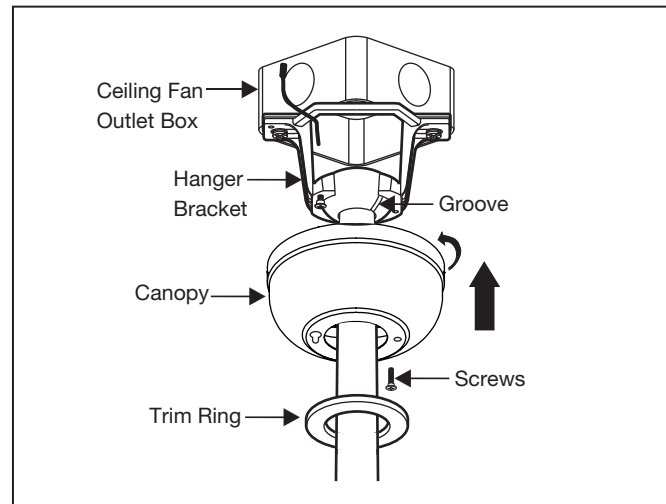
Connect the BLACK building supply wire to the BLACK receiver wire.
 Connect the WHITE receiver neutral wire to the WHITE building neutral wire.
 Connect the COPPER building ground wire to the 3 YELLOW/GREEN ground wires from the fan and receiver.



CEILING CANOPY INSTALLATION

- 1 Tuck connections neatly into ceiling outlet box.
- 2 Remove one screw on bracket and slide the canopy up to mounting bracket and place the key hole on screw on the mounting bracket, turn canopy until it locks in place at the narrow section of the key holes.
- 3 Align the circular hole on canopy with the remaining hole on the mounting bracket, secure by tightening the two set screws.

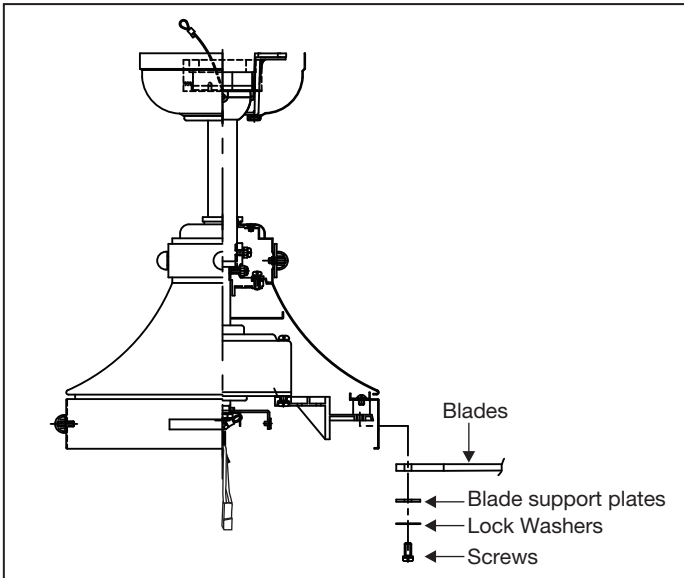
NOTE: Adjust the canopy screws as necessary until the canopy and trim ring are snug.



WARNING:

Make sure the hook on the hanging bracket properly sits in the groove in the hanger ball before attaching the canopy to the bracket by turning the housing until it drops into place.

INSTALLING THE BLADES



CAUTION: Remove the two rubber packing mounts from the fan motor assembly and discard prior to attaching the blades.

Insert the blade through the slot on the housing. Align the holes on the blade and the fan motor assembly and secure with the blade support plates and blade attachment screws.

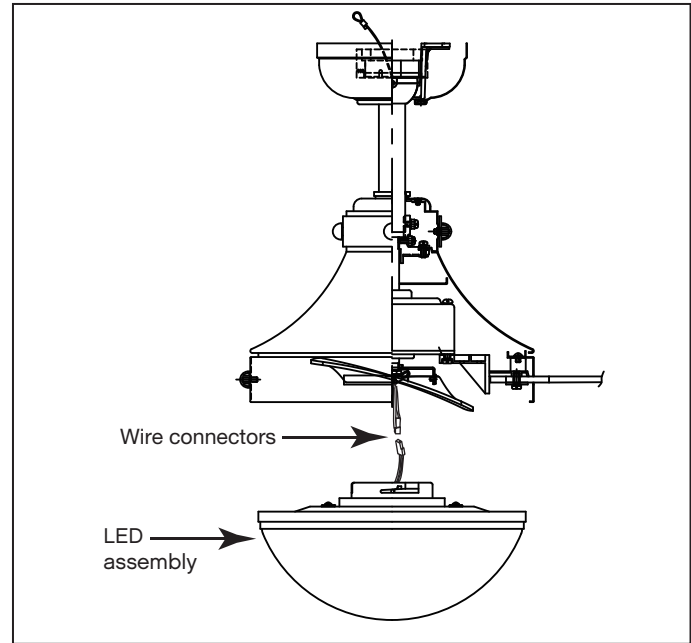
NOTE:

Cordless power screwdrivers are **NOT** recommended, as they usually strip the heads of the screws and usually will not fully compress the lock washers on the motor screws. Use a large flat blade screwdriver for final tightening to fully compress the washers. This will help ensure proper alignment of the blades and noise-free, wobble-free running.

INSTALLING THE LED ASSEMBLY

NOTE: Be sure the power is off before installing.

- 1 While holding the LED assembly under your fan, make the polarized plug connections:
 - White to white
 - Black to black
- 2 Position the notches on the inner edge of the LED light kit so they match the tabs on the outside of the rim on the light kit mounting plate. Carefully lift the LED light kit inside the light kit mounting plate and secure it to the fan by turning the LED light kit clockwise until snug.
- 3 Restore power and your LED assembly is ready for operation.



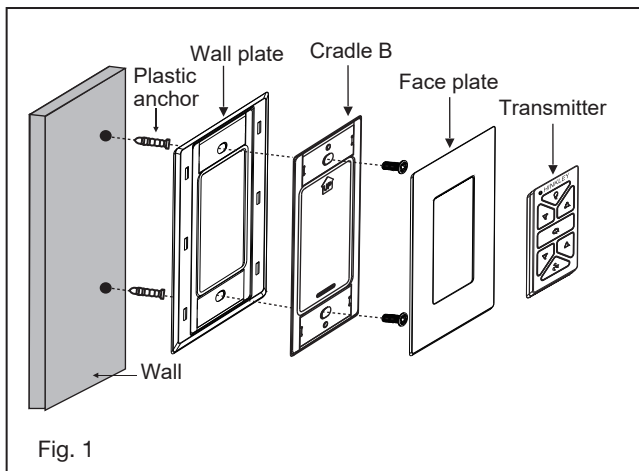
INSTALLING THE WALL CONTROL

REMEMBER to turn off the power before you begin.

NOTE - Secures to any surface or application: flat wall, single gang box, multi gang box.

Option 1. Flat Surface Installation

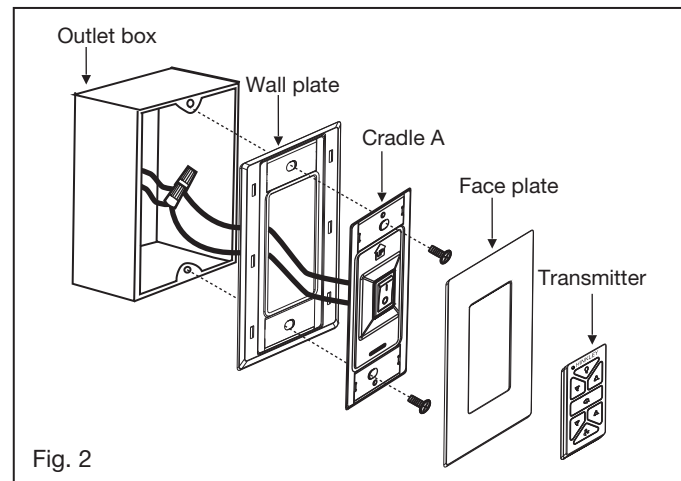
- 1 Select a desired location. Use the wall plate to mark the location of the mounting holes. Plastic wall anchors or mounting screws are needed for this application. (Fig. 1)
- 2 Seat the cradle B into the wall plate. Secure the wall plate to the wall using the provided hardware.
- 3 Snap the face plate cover onto the wall bracket.
- 4 Remote transmitter will be held in place with built in magnets.



HIRO HIRO Control System

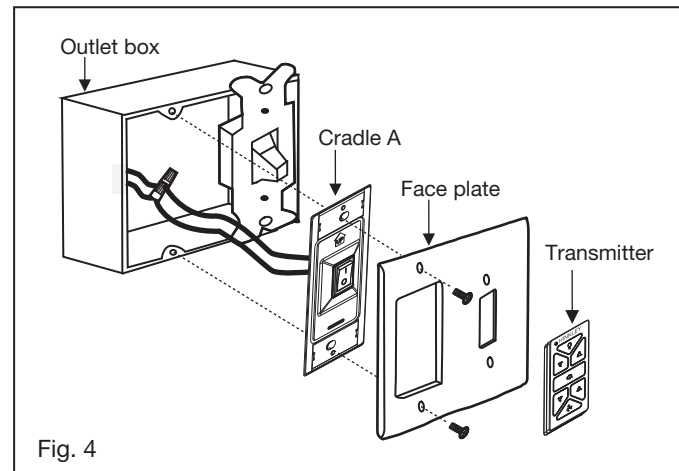
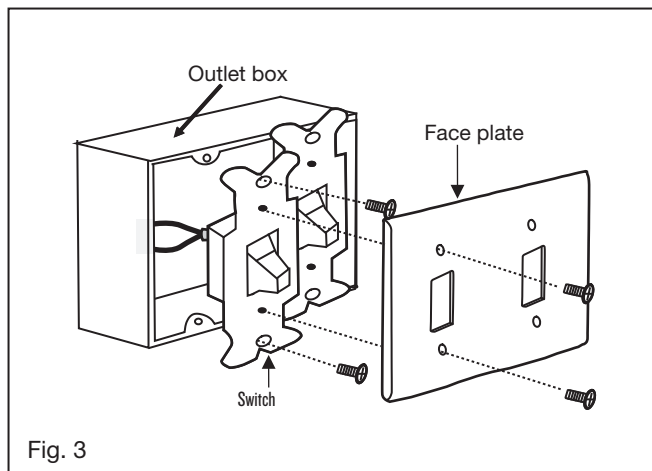
Option 2. For single gang box

- 1 Remove the existing wall plate and the old switch from the wall outlet box.
- 2 Seat the cradle A into the wall plate. (Fig. 2)
- 3 Connect the black lead wires from the switch in the cradle A to the black wires in the switch box. Hot input wire to one of the cradle A switch leads. Power lead to the fan is connected to the remaining switch lead.
- 4 Connect the wall plate / cradle A assembly to the wall outlet box using the supplied hardware.
- 5 Snap the face plate cover onto the wall bracket.
- 6 Remote transmitter will be held in place with built in magnets.



Option 3. Multi Gang Wall Switch Box Installation

- 1 Remove the existing wall plate and old switch from the wall outlet box. (Fig. 3)
- 2 Connect the black lead wires from the switch in the cradle A to the black wires in the switch box. Hot input wire to one of the cradle switch leads. Power lead to the fan is connected to the remaining switch lead. (Fig. 4)
- 3 Attach the cradle A to the wall switch box using the supplied hardware.
- 4 Attach the multi-gang faceplate (not provided) to the switch set in the wall outlet box. Cradle A of Hinkley switch will fit in any standard decora face plate.
- 5 Remote transmitter will be held in place with built in magnets.



 **HIRO HIRO Control System**

OPERATION

Your DC brushless motor is equipped with an automatically learned type remote control. There is no frequency switches on the receiver or transmitter. The fan can start to use once the pairing process is done.

Remove the panel from the transmitter and then install one 2032 battery (included). You need to use a coin to open or close the battery cover. To prevent damage to transmitter, remove the battery if not use for long periods of time (Fig. 1)



WARNING: Chemical Burn Hazard.
Keep batteries away from children.

This product contains a lithium button/coin cell battery. If a new or used lithium button/coin cell battery is swallowed or enters the body, it can cause severe internal burns and can lead to death in as little as 2 hours. Always completely secure the battery compartment. If the battery compartment does not close securely, stop using the product, remove the batteries, and keep it away from children. IF you think batteries might have been swallowed or placed inside any part of the body, seek immediate medical attention.

The batteries shall be disposed of properly, including keeping them away from children; Even used cells may cause injury.

- 1 button: Press and release this button to turn the light on / off.
- 2 button: Press these buttons to dim or brighten the lights to the desired level and release.
- 3 button: Press this button to set fan wind direction up or down.
- 4 button: Press these buttons to adjust fan speeds up / down between speeds 1 and 6.
- 5 button: Press and release this button to turn the fan on / off.
- 6 Signal light (Fig. 2)

Pairing Process

NOTE: If installing/pairing more than one fan in an area, the power must be disconnected from all fans except the one fan being paired.

NOTE: Fan must be fully installed with the blades prior to pairing the controls.

With the fan's power off, restore power to the fan. Press and hold “” button for about 5 seconds and release. If optional light kit is installed, the light kit will flash three times and the motor spin up for 10 seconds on low speed. The fan has completed the pairing process with the wall control and is ready for use.

NOTE: A single fan can be controlled with as many as 3 wall controls in one room. Every control will need to repeat the pairing process based on instructions above and all controls must be within 30 feet of the fan.

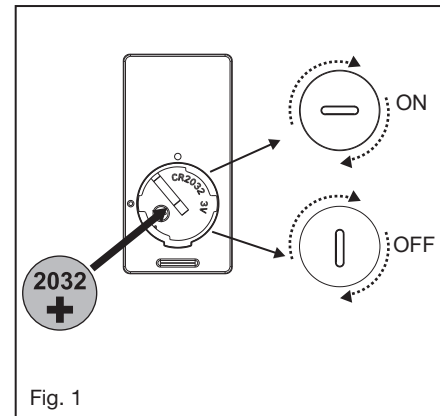


Fig. 1

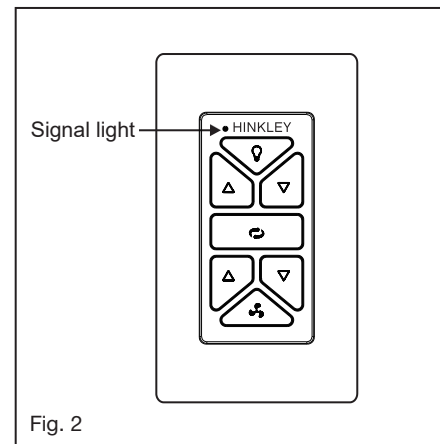
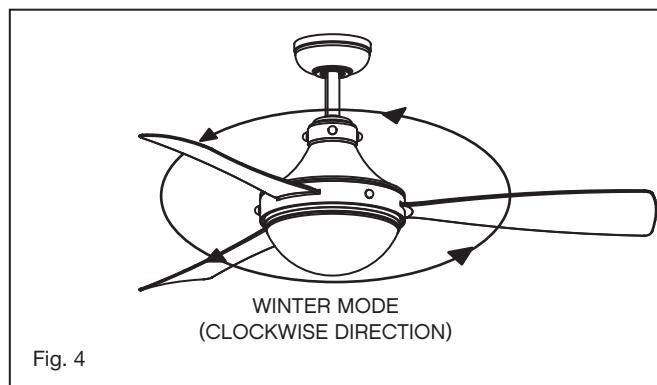
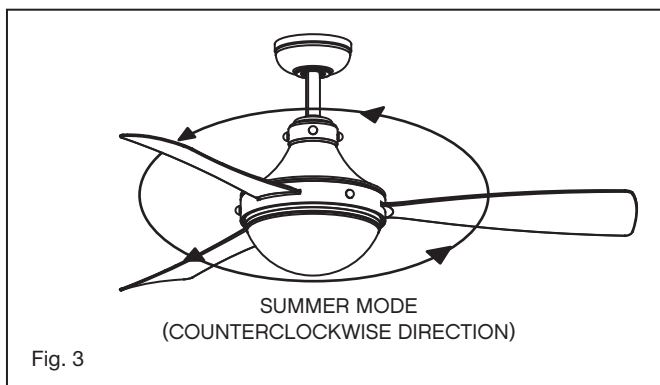


Fig. 2

HIRO HIRO Control System

Summer Mode and Winter Mode Operation

- 7 **IMPORTANT:** To prevent damage or cause injury, be sure that fan is switched to off and blades have stopped moving completely before attempting to change direction of rotation.
- 8 The reverse switch is located on the top of the motor housing. Slide the switch to the right for winter mode operation. Slide the switch to the left for summer mode operation. **Make sure switch is not stuck between forward and reverse positions.**
- 9 Summer Mode (forward):
A DOWNWARD airflow creates a cooling effect as shown in Figure 3. This allows you to set your air conditioner on a warmer setting without affecting your comfort.
- 10 Winter Mode (Reverse):
An UPWARD airflow moves warmer air off the ceiling area as shown in Figure 4. This allows you to set your heating unit on a cooler setting without affecting your comfort.



CARE AND CLEANING

Periodically it may be necessary to re-tighten blade to blade arm screws or blade arm to motor screws to prevent clicking or humming sound during operation. This is especially true in climates with broad temperature and humidity ranges.

When dusting the blades, you must support the blade to prevent bending - no pressure should be applied to the blades. If you experience any flaws in the operation of your fan, please check the following points.

TROUBLESHOOTING

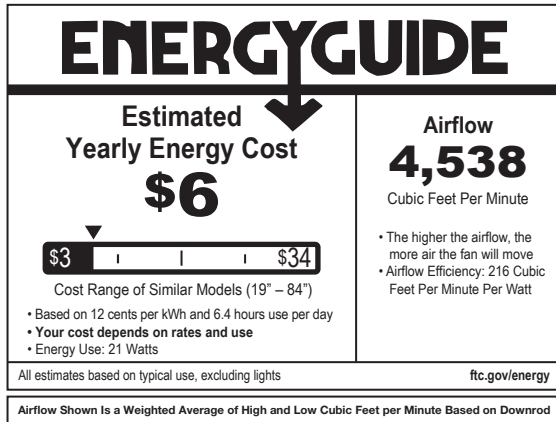
CAUTION:

Switch off power supply before carrying out any of these checks.

PROBLEM	SOLUTION
FAN WILL NOT START	<ol style="list-style-type: none">1. Check to assure that a new batteries is installed in the remote or wall control. Check circuit fuses or breakers.2. Check wall control LED indicator light. If LED is not illuminated when pushing a button, it is not transmitting a signal. Please check power to wall control/circuit breaker and all electrical connections.3. Assure there are no more than 2 fans operating on a circuit through the wall control. Assure that there are no more than 12 fans operating on a circuit through an on/off wall switch or a breaker (not through a wall control).4. Assure that the fan is within range of the WiFi (150 ft.) or wall control (30 ft.).
FAN SOUNDS NOISY	<ol style="list-style-type: none">1. Allow a 24-hour "breaking-in" period. Most noise associated with a new fan will disappear during this time.2. Make sure all motor housing screws are securely fastened.3. Make sure the screws that attach the fan blade to the fan are tight.4. Make sure your ceiling box is secure and rubber isolator pads are used between the mounting bracket and outlet box.
FAN WOBBLER	<ol style="list-style-type: none">1. Check that all blade and blade arm screws are secure.2. If the blade wobble is still noticeable, interchanging two adjacent (side by side) blades can redistribute the weight and possibly result in smoother operation.3. Check to assure all dowrods to motor hardware and/or hanger ball are tight.4. Make sure ceiling box is secure.

ENERGY GUIDE

AVERAGE PERFORMANCE AND ENERGY INFORMATION



SPECIFICATIONS

PERFORMANCE SPECIFICATIONS	STANDARD	
	HIGH SPEED	LOW SPEED
Airflow (CFM)	6121	2743
Energy Use (Watts)	29.2	3.5
Airflow Efficiency (CFM/W)	209	790
Energy Costs (Yearly)	\$6	\$1
Amps	0.41	0.06
RPMs	102	45

DOWNLOADING THE HINKLEY APP

HINKLEY APP INSTRUCTIONS:

In addition to the included wall control, you can control your Hinkley fan through the Hinkley app.

- To use the **Hinkley app**, download it for free from the App Store or Google Play.
- Open the **Hinkley app** where you will be prompted to create an account.
- Enter all necessary information to create an account.
- After account is created you will receive a verification code email to finish setting up the **Hinkley app** (Check spam folder if email is not received.)
- Confirm Bluetooth is enabled to allow the fan and **Hinkley app** to connect to each other.
- Click add a device on the home screen and select desired fan.
- The **Hinkley app** will then have you enter in WiFi name and password.
- Click done on **the Hinkley app** to complete connecting the fan.
- The **Hinkley app** will have options on the main screen for fan speeds, dimming and setting timers
- Scan the QR code below for more information on the **Hinkley app** operation.



SCAN FOR ADDITIONAL DETAILS

HINKLEY IS PROUD TO PROVIDE YOU WITH CEILING FAN PRODUCTS THAT ENHANCE YOUR SPACE WITH COMFORT, PURPOSE AND STYLE. AS A FAMILY COMPANY, WE ARE COMMITTED TO DESIGN, PERFORMANCE AND QUALITY, AND WHAT'S IMPORTANT TO YOU IS PARAMOUNT TO US.

FOR A COMPLETE ASSORTMENT OF OUR PRODUCTS AND SOURCE BOOKS, VISIT HINKLEY.COM.

HINKLEY

GLOBAL HEADQUARTERS

33000 Pin Oak Parkway | Avon Lake, Ohio 44012

T (440) 653 5500 | F (440) 653 5555 | hinkley.com

HINKLEY

62" OLIVER™

VENTILADOR LED INTERIOR /
EXTERIOR



**LISTO
USAR.
CONTROL PRE-
EMPAJEADO.**

MANUAL DE INSTRUCCIONES DEL VENTILADOR DE TECHO



EMPAJEAR CON LA
APLICACIÓN HINKLEY
DESCARGAR EN APP STORE o GOOGLE
PLAY

QUEREMOS QUE AMES A TU NUEVO VENTILADOR

ASÍ QUE ESTAMOS AQUÍ SI TIENE UNA PREGUNTA, NECESITA AYUDA O QUIERE HABLAR SOBRE NUESTROS PRODUCTOS. ENVÍE SUGERENCIAS NUESTRO CAMINO TAMBIÉN: SIEMPRE ESTAMOS BUSCANDO HACER QUE SU EXPERIENCIA CON HINKLEY SEA POSITIVA.

> SERVICE@HINKLEY.COM

> [800.HINKLEY](tel:800.HINKLEY)

> **VAMOS A ESE ESTILO**

HINKLEY@HINKLEY [#HINKLEYSSTYLE](https://www.hinkley.com)

Este manual contiene instrucciones completas para la instalación y operación de este ventilador. Ha sido diseñado para hacer que el proceso de instalación sea lo más fácil posible. Si no está familiarizado o no se siente cómodo con el cableado, comuníquese con un electricista calificado. Si necesita asistencia adicional o tiene alguna pregunta, comuníquese con nosotros.

Para obtener información sobre la garantía, visite hinkley.com.

TABLA DE CONTENIDO

02	INSTRUCCIONES GENERALES DE INSTALACIÓN Y FUNCIONAMIENTO	11	INSTALACIÓN DEL CONJUNTO DE LED
03	PRECAUCIONES DE SEGURIDAD IMPORTANTES	12	INSTALACIÓN DE LA OPERACIÓN DEL CONTROL DE PARED
03	HERRAMIENTAS Y MATERIALES REQUERIDOS	14	OPERACIÓN
04	DESEMBALANDO TU VENTILADOR	16	CUIDADO Y LIMPIEZA
05	PREPARACIÓN	16	SOLUCIÓN DE PROBLEMAS
05	INSTALANDO EL SOPORTE PARA COLGAR	17	GUÍA ENERGÉTICA
06	COLGAR EL VENTILADOR	17	ESPECIFICACIONES
08	CONEXIONES ELÉCTRICAS	18	DESCARGANDO LA APLICACIÓN HINKLEY
09	INSTALACIÓN DE MARCO DE TECHO		
10	INSTALACIÓN DE LAS CUCHILLAS		

**LISTO
USAR.**

**CONTROL
PREPARADO.**

NOTA: Si es necesario EMPAREJAR, consulte las instrucciones de emparejamiento de controles en la sección de operaciones de este Manual de instrucciones.

ADVERTENCIA:

Lea y siga estas instrucciones atentamente y tenga en cuenta todas las advertencias que se muestran en todas partes.

INSTRUCCIONES GENERALES DE INSTALACIÓN Y OPERACIÓN

- 1 Para garantizar el éxito de la instalación, asegúrese de leer las instrucciones y revisar los diagramas detenidamente antes de comenzar.
- 2 Para evitar posibles descargas eléctricas, asegúrese de que la electricidad esté apagada en la caja de alimentación principal antes de realizar el cableado. Todas las conexiones eléctricas deben realizarse de acuerdo con los códigos y ordenanzas locales y/o el Código Eléctrico Nacional. Si no está familiarizado con los métodos de instalación de cableado y productos eléctricos, consiga los servicios de un electricista calificado y autorizado, así como de alguien que pueda verificar la resistencia de los miembros de soporte del techo y realizar las instalaciones y conexiones adecuadas.
- 3 **ADVERTENCIA:** Para reducir el riesgo de incendio, descarga eléctrica u otras lesiones personales, monte el ventilador únicamente en una caja eléctrica o sistema de soporte marcado como aceptable para soporte de ventilador de 35 libras (15,9 kg) o menos y use los tornillos de montaje proporcionados con la caja eléctrica. La mayoría de las cajas de salida comúnmente utilizadas para soportar accesorios de iluminación no son aceptables para soportar ventiladores y es posible que sea necesario reemplazarlas. Consulte a un electricista calificado si tiene dudas.
- 4 Asegúrese de que el sitio de instalación no permita que las aspas giratorias del ventilador entren en contacto con ningún objeto. Las hojas deben estar al menos a 7 pies del suelo.
- 5 Las cuchillas se deben colocar después de colgar y colocar la carcasa del motor. La carcasa del motor del ventilador debe mantenerse en la caja hasta que esté lista para instalarse para proteger su acabado. Si está instalando más de un ventilador de techo, asegúrese de no mezclar juegos de aspas, ya que cada aspa es parte de un juego ponderado.
- 6 Después de realizar las conexiones eléctricas, los conductores empalmados deben girarse hacia arriba y empujarse con cuidado hacia la caja eléctrica. Los cables deben estar separados con el conductor común y el conductor de tierra en un lado de la caja eléctrica, y el Cables "CALIENTES" en el otro lado.
- 7 Los diagramas eléctricos son solo para referencia. Los kits de iluminación que no vienen incluidos con el ventilador deben estar listados por UL y deben instalarse según las instrucciones de instalación del kit de iluminación.
- 8 Una vez que el ventilador esté completamente instalado, verifique que todas las conexiones estén seguras para evitar que el ventilador se caiga y/o cause daños o lesiones.
- 9 Se puede hacer que el ventilador funcione inmediatamente después de la instalación; los cojinetes se cargan adecuadamente con grasa de modo que, en condiciones normales, no será necesaria una lubricación adicional durante la vida útil del ventilador.
- 10 Para operar la función de marcha atrás en este ventilador, presione el botón de marcha atrás mientras el ventilador está funcionando.
- 11 **PRECAUCIÓN:** No ingiera la batería: peligro de quemaduras químicas. Mantenga las baterías nuevas y usadas fuera del alcance de los niños.
- 12 El control remoto se suministra con una batería de tipo botón/moneda. Si se ingiere la pila de botón/moneda, puede provocar quemaduras internas graves en tan solo 2 horas y provocar la muerte.
- 13 Si el compartimento de la batería no cierra de forma segura, deje de usar el producto y manténgalo alejado de los niños.
- 14 Si cree que las pilas pueden haber sido ingeridas o colocadas dentro de cualquier parte del cuerpo, busque atención médica inmediata.

PRECAUCIONES IMPORTANTES DE SEGURIDAD

ADVERTENCIAS:

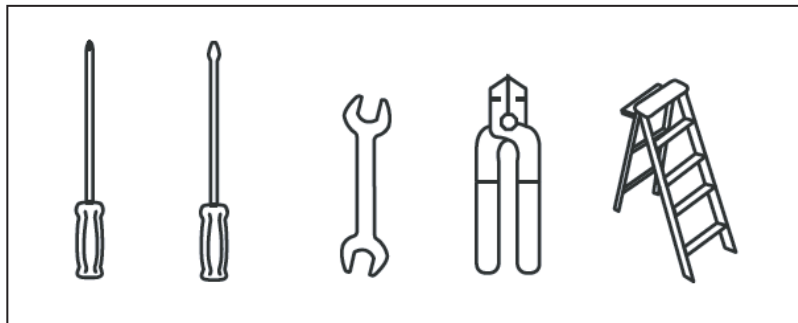
- Desconecte la energía quitando el fusible o apagando el interruptor de circuito antes de instalar el ventilador y / o la iluminación opcional.
- Apoyo directo desde la estructura del edificio.
- Para reducir el riesgo de incendio, descarga eléctrica o lesiones personales, monte en la caja de salida marcada como "aceptable para soporte del ventilador" y use los tornillos de montaje provistos con la caja de salida. La mayoría de las cajas de salida comúnmente utilizadas para el soporte de accesorios de iluminación no son aceptables para el soporte del ventilador y pueden necesitar ser reemplazadas. Consulte a un electricista calificado si tiene dudas.
- No utilice un atenuador de luz incandescente. No utilice este ventilador con ningún dispositivo de control de velocidad del ventilador de tipo transformador. To reduce the risk of personal injury, do not bend the blade arms when installing them, balancing the blades or cleaning the fan.
- No inserte ningún objeto (s) entre las aspas giratorias del ventilador.

NOTA:

Las precauciones, salvaguardas e instrucciones importantes que aparecen en este manual no están destinadas a cubrir todas las condiciones y situaciones posibles que puedan ocurrir. Debe entenderse que el sentido común, la precaución y el cuidado son factores que no se pueden incorporar a este producto. Estos factores deben ser proporcionados por la (s) persona (s) que instalan, cuidan y operan la unidad.

HERRAMIENTAS Y MATERIALES REQUERIDOS

- DESTORNILLADOR PHILLIPS
- DESTORNILLADOR PLANO
- LLAVE O ALICATES
- CORTADOR DE CABLES
- ESCALERA DE TIJERA
- SUMINISTROS DE CABLEADO
SEGÚN REQUERIDO POR CÓDIGO
ELÉCTRICO



DESEMBALAJE TU VENTILADOR

DESEMBALA TU VENTILADOR Y COMPRUEBA EL CONTENIDO

- No deseche la caja de cartón. Si alguna vez es necesario reemplazar o reparar la garantía, el ventilador debe devolverse en su embalaje original. Retire todas las piezas y hardware. No coloque la carcasa del motor sobre un costado, o la carcasa decorativa puede moverse, doblarse o dañarse.
- Examinar todas las partes. Debe tener lo siguiente:

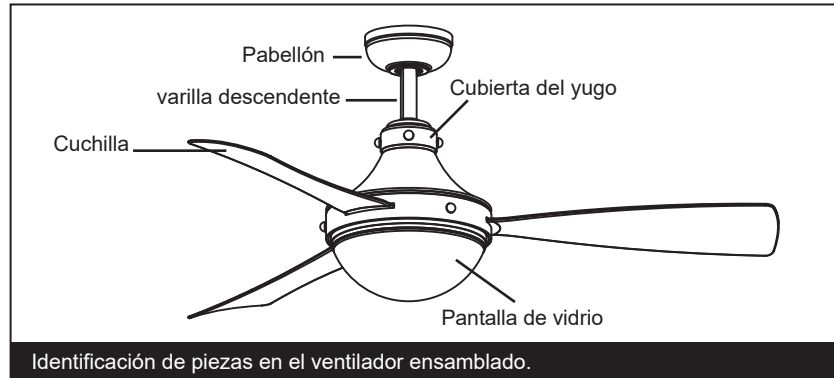
	CONTENIDO DEL PAQUETE OLIVER		
	1	Juego de 3 cuchillas.	BL905962Fxx
	2	Placas de soporte de cuchillas	X
	3	Soporte para colgar	CA902672Fxx
	4	Marquesina de techo y anillo embellecedor	
	5	Conjunto de varilla descendente.	DR94016Fxx
	6	Cubierta del yugo	YC905950Fxx
	7	Carcasa del ventilador con motor *Retire los soportes de envío de goma alrededor del motor, si corresponde. Guarde los tornillos.	X
	8	Conjunto de LED de 24W	LK905950Fxx
	9	Receptor incluido. 5 tuercas para cables	CWT905962
	10	Control de pared con batería 2032, soporte A, placa de pared, placa frontal, 2 tornillos de montaje, Soporte B (solo para uso en pared plana)	980014FWH-R
11	Bolsa de hardware		
	Hardware de montaje del soporte (tornillos para madera, tornillos, arandelas de seguridad, arandelas de estrella, arandelas planas, tuercas para cables), Tornillos de la hoja al motor con arandelas de seguridad, equipo de equilibrio, Herrajes para cables de seguridad (tornillo para madera, arandela plana)	MH905950Fxx	
<p>NOTA: El diseño de las piezas que se muestran arriba puede parecer ligeramente diferente para su modelo específico de ventilador.</p>			XX=ACABADO DEL VENTILADOR

PREPARACIÓN

PREPARACIÓN:

Verifique que tenga todas las piezas antes de comenzar la instalación. Revise atentamente el inserto de papel de pulpa para detectar piezas faltantes. Retire el motor del embalaje. Para evitar daños al acabado, monte el motor sobre una superficie suave y acolchada o utilice el inserto de papel de pulpa original en la caja del motor.

NO COLOQUE LA CARCASA DEL MOTOR DE LADO YA QUE ESTO PODRÍA RESULTAR EN EL DESPLAZAMIENTO DEL MOTOR EN EL CARCASA DECORATIVA.

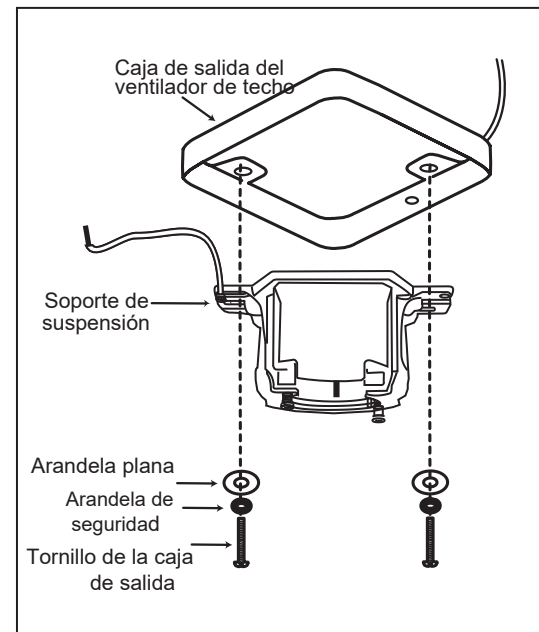


Identificación de piezas en el ventilador ensamblado.

INSTALACIÓN DEL SOPORTE PARA COLGAR

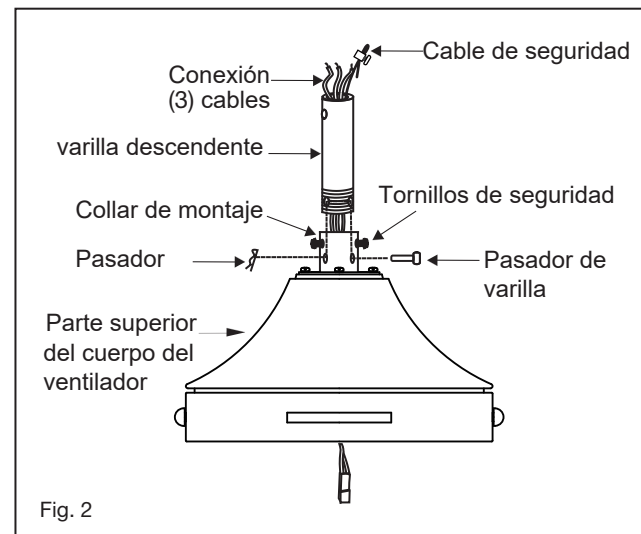
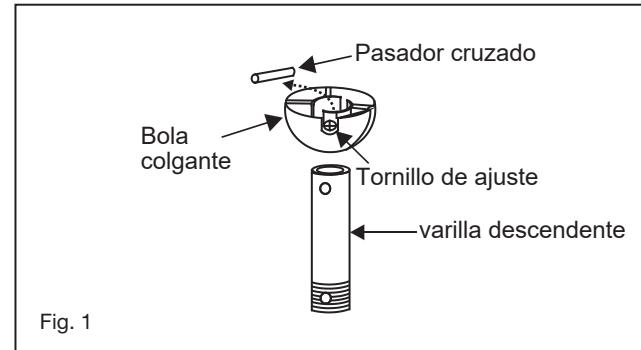
PRECAUCIÓN: Para evitar posibles descargas eléctricas, asegúrese de que la electricidad esté apagada en la caja de alimentación principal antes de realizar el cableado. Todo el cableado debe estar de acuerdo con los códigos eléctricos nacionales y locales y el ventilador de techo debe estar conectado a tierra como medida de precaución contra posibles descargas eléctricas.

- 1 Ubique la viga del techo donde se montará el ventilador, asegurándose de que la ubicación cumpla con los requisitos de la sección de espacio libre mínimo de esta guía. Las vigas de madera deben estar sólidas y tener el tamaño adecuado para soportar 35 libras (consulte la página 2, puntos 3 y 4).
- 2 Si aún no está presente, monte una caja eléctrica listada por UL marcada como "adecuada para soporte de ventilador" siguiendo las instrucciones proporcionadas con la caja eléctrica. La caja eléctrica debe poder soportar un mínimo de 35 libras.
- 3 Retire la cubierta del soporte para colgar. Retire el anillo embellecedor con cierre giratorio girándolo en el sentido contrario a las agujas del reloj. Retire el tornillo de la cubierta que no tiene ranura para llave en la cubierta. Afloje el tornillo con la ranura para llave y retire la cubierta.
- 4 Fije el soporte para colgar a la caja eléctrica utilizando los tornillos proporcionados con la caja eléctrica.



COLGAR EL VENTILADOR

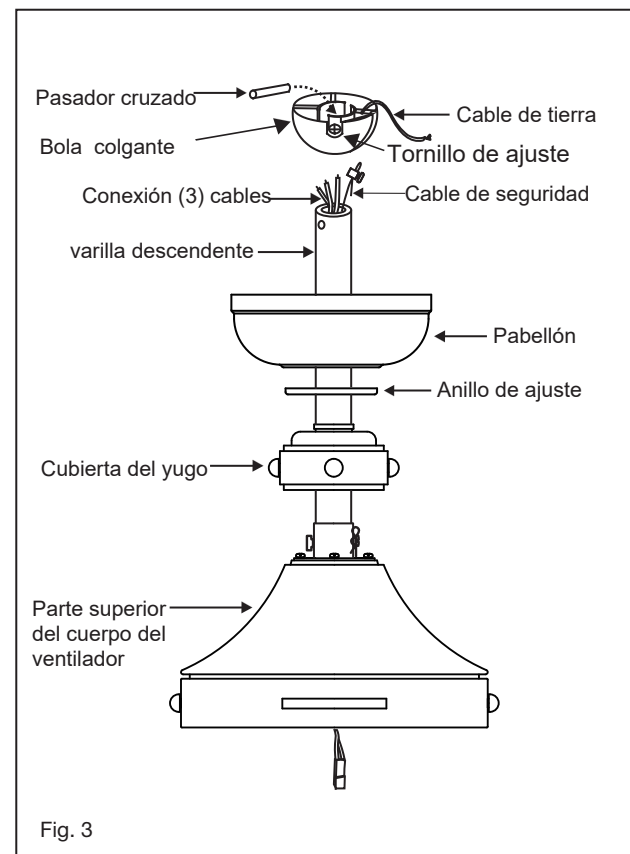
- 1 Retire la bola de la varilla aflojando el tornillo de fijación en el costado de la bola. Deslice la bola hacia abajo y retire el pasador transversal; quitar la bola. (Figura 1)
- 2 Sostenga con cuidado el cuerpo del ventilador (motor) en su empaque de pulpa con el collar de montaje (por donde salen los cables) hacia arriba.
- 3 Afloje los dos tornillos de seguridad y retire el pasador de la varilla y la chaveta del acoplamiento en la parte superior del conjunto del motor. (Figura 2)
- 4 Pase con cuidado los cables eléctricos y el cable de seguridad del ventilador a través de la varilla. Enrosque la varilla en el acoplador hasta que los orificios se alineen. Inserte el pasador de la varilla a través de los orificios del collar de montaje y de la varilla; Sujete la chaveta a través del pequeño orificio en el extremo del pasador de la varilla para mantener la varilla en su lugar.
- 5 Apriete los tornillos de seguridad contra la varilla con un destornillador grande de punta plana para asegurar un ajuste perfecto contra la varilla.



- 1 Deslice la cubierta del yugo, el anillo embellecedor y el dosel sobre la varilla bajante. (Fig. 3)
- 2 Deslice la bola de suspensión sobre la varilla, inserte el pasador transversal a través de la varilla y apriete. Apriete el tornillo de fijación.

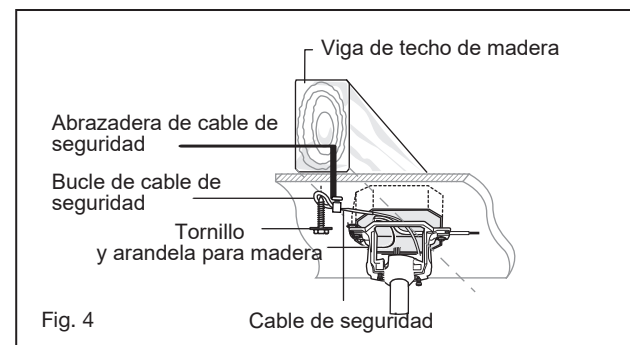
NOTA:
El ventilador tiene 6 pies de cable de conexión en caso de que esté usando una varilla de extensión larga.

- 3 Levante la bola/la varilla/el ventilador hacia la abertura del soporte para colgar.
NOTA: La pestaña opuesta a la abertura del soporte de suspensión debe encajar en la ranura de la bola. (Figura 4)



INSTALACIÓN DEL SOPORTE DEL CABLE DE SEGURIDAD

Fije el tornillo para madera y la arandela plana a la viga del techo como se muestra (no los apriete completamente). Deslice la abrazadera del cable sobre el cable de seguridad del ventilador. Pase el cable de seguridad alrededor del tornillo para madera que acaba de colocar en la viga del techo. Introduzca el extremo del cable en la abrazadera y pase la mayor cantidad de cable posible. Apriete firmemente el tornillo de la abrazadera. Corte el exceso de cable y apriete el tornillo para madera a la viga del techo.



CONEXIONES ELÉCTRICAS

RECUERDA -¡Apaga la corriente! **NOTA:** El control debe instalarse dentro de 30 pies de ventilador.

ADVERTENCIAS: Verifique que todas las conexiones estén apretadas, incluida la tierra, y que no se vea ningún cable desnudo en las tuercas para cables, excepto el cable de tierra.

PRECAUCIÓN: Para reducir el riesgo de descarga eléctrica, este ventilador debe instalarse con un control/interruptor de pared aislante.

1. Inserte el receptor en el soporte de montaje en techo con el lado plano del receptor mirando hacia el techo. (Fig. 1) Para un mejor rendimiento, asegúrese de que la antena negra y la antena WIFI, en el extremo del receptor, permanezcan extendidas y no enredadas con ninguno de los cables eléctricos.

2. Realice las conexiones de cables desde el ventilador a la unidad receptora. Para esto Paso use el paquete de 5 cables en el receptor. (Figura 2)

Conecte el cable AMARILLO del ventilador al cable AMARILLO del receptor.

Conecte el cable GRIS del ventilador al cable GRIS del receptor.

Conecte el cable neutro ROJO del ventilador al cable neutro ROJO del receptor. Conecte el cable BLANCO del kit de luz neutra del ventilador al cable BLANCO del receptor marcado "Para luz".

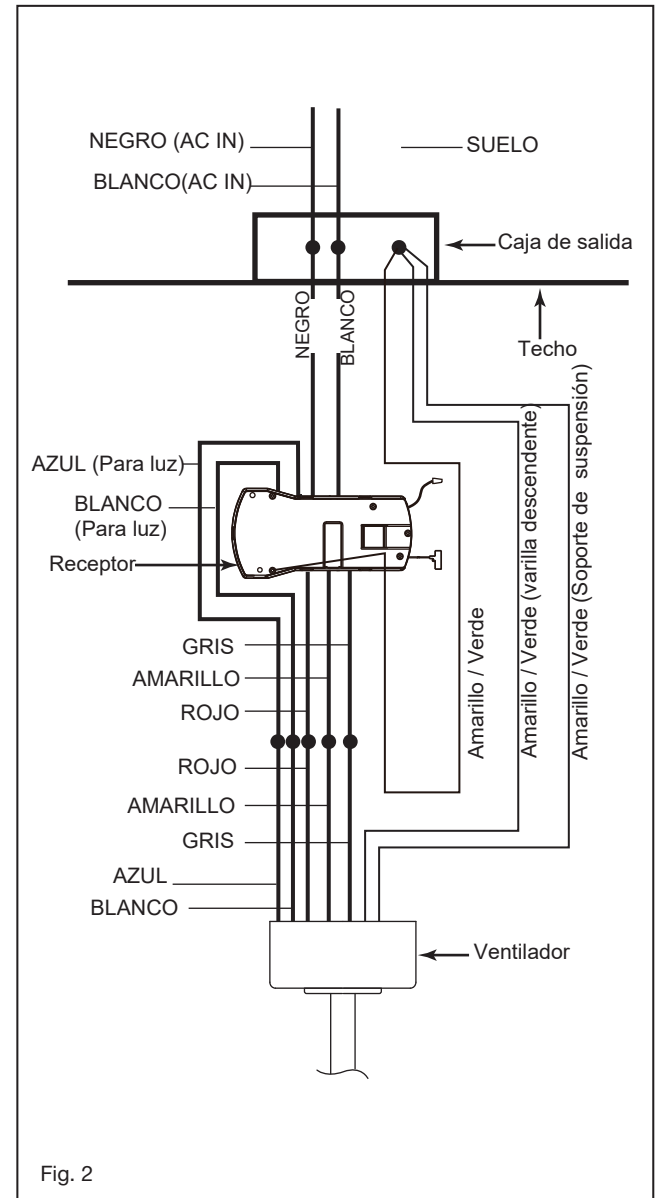
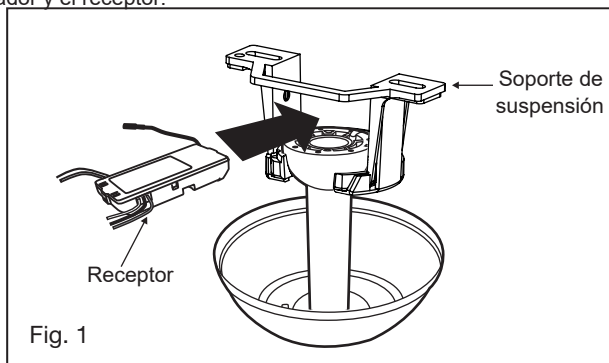
Conecte el cable del kit de luz AZUL del ventilador al cable AZUL del receptor marcado "Para luz".

Los colores de los cables del ventilador son azul/blanco para el kit de luces. Los cables del kit de luces del controlador/receptor son azules/blancos.

3. Conecte el cableado desde el techo a la unidad receptora. (Utilice el haz de 2 cables en el receptor). Asegúrelo con las tuercas para cables suministradas.

Conecte el cable NEGRO de suministro del edificio al cable NEGRO del receptor. Conecte el cable neutro BLANCO del receptor al cable neutro BLANCO del edificio.

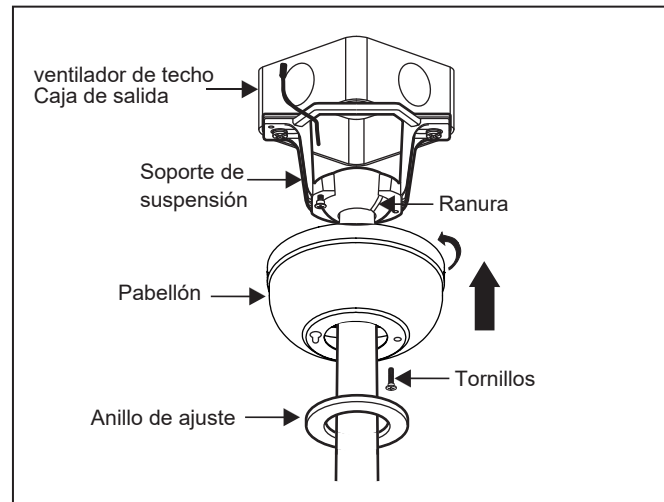
Conecte el cable de tierra de COBRE del edificio a los 3 cables de tierra AMARILLO/VERDE del ventilador y el receptor.



INSTALACIÓN DE MARCO DE TECHO

- 1 Meta las conexiones cuidadosamente en la caja eléctrica del techo.
- 2 Retire un tornillo del soporte y deslice la cubierta hacia el soporte de montaje y coloque el orificio de la cerradura en el tornillo en el soporte de montaje, gire la cubierta hasta que encaje en su lugar en la sección estrecha de los orificios de la cerradura.
- 3 Alinee el orificio circular en la cubierta con el orificio restante en el soporte de montaje y asegúrelo apretando los dos tornillos de fijación.

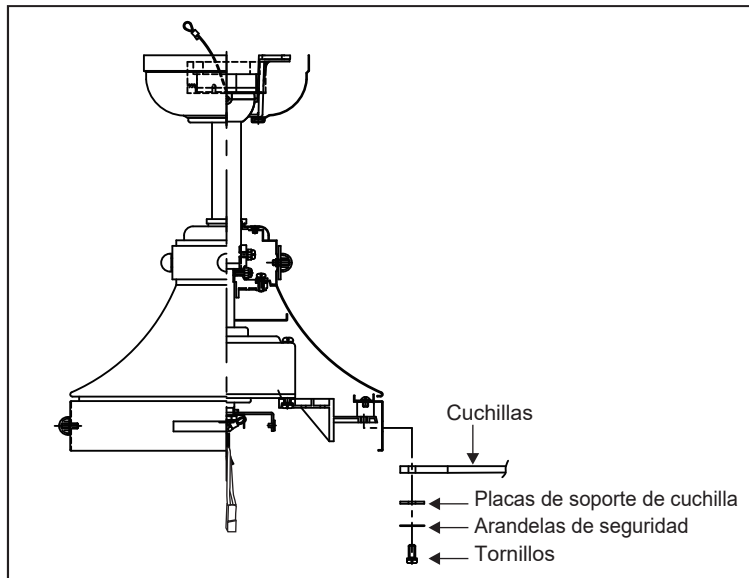
NOTA: Ajuste los tornillos de la cubierta según sea necesario hasta que la cubierta y el anillo embellecedor queden ajustados.



ADVERTENCIA:

Asegúrese de que el gancho del soporte para colgar se asiente correctamente en la ranura de la bola para colgar antes de fijar la cubierta al soporte girando la carcasa hasta que encaje en su lugar.

INSTALACIÓN DE LAS CUCHILLAS



PRECAUCIÓN: Retire los dos soportes del empaque de goma del conjunto del motor del ventilador y deséchelos antes de colocar las aspas.

Inserte la cuchilla a través de la ranura de la carcasa. Alinee los orificios de las aspas y el conjunto del motor del ventilador y asegúrelos con las placas de soporte de las aspas y los tornillos de fijación de las aspas.

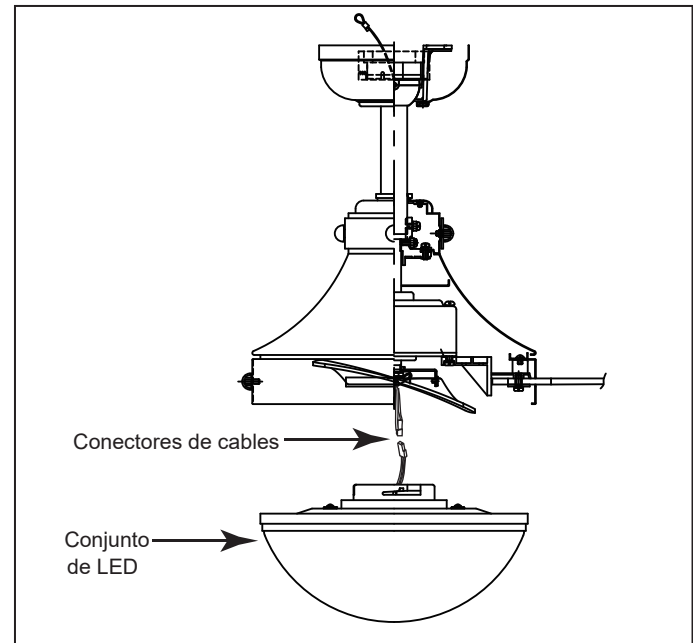
NOTA:

NO se recomiendan los destornilladores eléctricos inalámbricos, ya que generalmente pelan las cabezas de los tornillos y generalmente no comprimen completamente las arandelas de seguridad de los tornillos del motor. Utilice un destornillador grande de punta plana para realizar el ajuste final y comprimir completamente las arandelas. Esto ayudará a garantizar la alineación adecuada de las cuchillas y un funcionamiento sin ruidos y sin oscilaciones.

INSTALACIÓN DEL CONJUNTO DE LED

NOTA: Asegúrese de que la alimentación esté apagada antes de realizar la instalación.

- 1 Mientras sostiene el conjunto de LED debajo de su ventilador, realice las conexiones del enchufe polarizado:
 - Blanco a blanco
 - Negro a negro
- 2 Coloque las muescas en el borde interior del kit de luces LED de modo que coincidan con las pestañas en el exterior del borde de la placa de montaje del kit de luces. Levante con cuidado el kit de luces LED dentro de la placa de montaje del kit de luces y asegúrelo al ventilador girándolo en el sentido de las agujas del reloj hasta que quede ajustado.
- 3 Restablezca la energía y su conjunto de LED estará listo para funcionar.



INSTALACIÓN DEL CONTROL DE PARED

RECUERDE apagar la energía antes de comenzar.

NOTA - Se fija a cualquier superficie o aplicación: pared plana, caja de salida simple, caja de entrada múltiple.

Opción 1. Instalación en superficie plana

- 1 Seleccione una ubicación deseada. Utilice la placa de pared para marcar la ubicación de los orificios de montaje. Para esta aplicación se necesitan anclajes de pared de plástico o tornillos de montaje. (Figura 1)
- 2 Asiente la base B en la placa de pared. Asegure la placa de pared a la pared con los accesorios provistos.
- 3 Encaje la cubierta de la placa frontal en el soporte de pared.
- 4 El transmisor remoto se mantendrá en su lugar con m incorporado

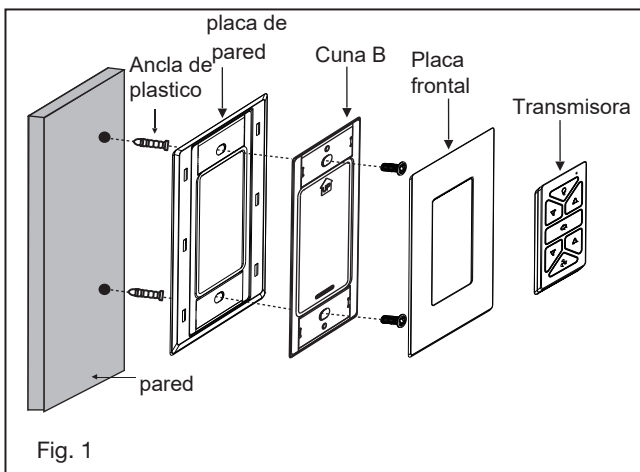


Fig. 1

HIRO Sistema de control HIRO

Opción 2. Para caja de salida única

- 1 Retire la placa de pared existente y el interruptor antiguo de la caja de salida de la pared.
- 2 Asiente la base A en la placa de pared. (Figura 2)
- 3 Conecte los cables conductores negros del interruptor en la base A a los cables negros en la caja del interruptor. Cable de entrada caliente a uno de los cables del interruptor de la base A. El cable de alimentación del ventilador está conectado al cable del interruptor restante.
- 4 Conecte el ensamblaje de la placa de pared / base A a la caja de salida de pared utilizando los accesorios suministrados.
- 5 Encaje la cubierta de la placa frontal en el soporte de pared.
- 6 El transmisor remoto se mantendrá en su lugar con imanes incorporados.

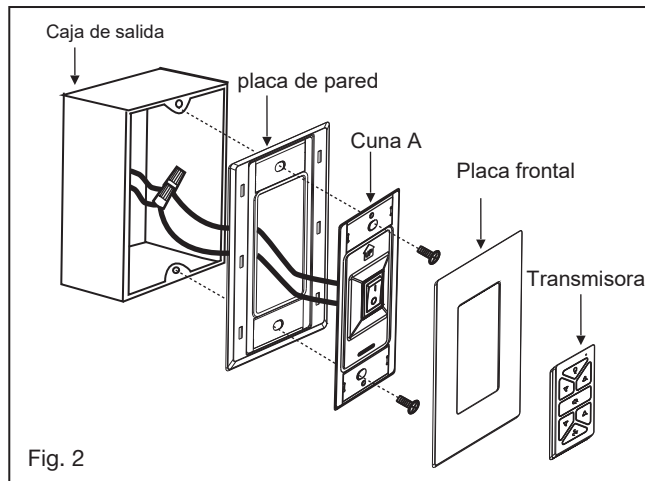


Fig. 2

Opción 3. Instalación de la caja de interruptores de pared de múltiples unidades

- 1 Retire la placa de pared existente y el interruptor antiguo de la caja de salida de pared. (Fig. 3)
- 2 Conecte los cables conductores negros del interruptor en la base A a los cables negros en la caja del interruptor. Cable de entrada caliente a uno de los cables del interruptor de la base. El cable de alimentación del ventilador está conectado al cable del interruptor restante. (Figura 4)
- 3 Fije la base A a la caja de interruptores de pared utilizando los accesorios suministrados.
- 4 Conecte la placa frontal de varios grupos al interruptor en la caja de salida de la pared. La base A del interruptor Hinkley encajará en cualquier placa frontal de decoración estándar.
- 5 El transmisor remoto se mantendrá en su lugar con imanes incorporados

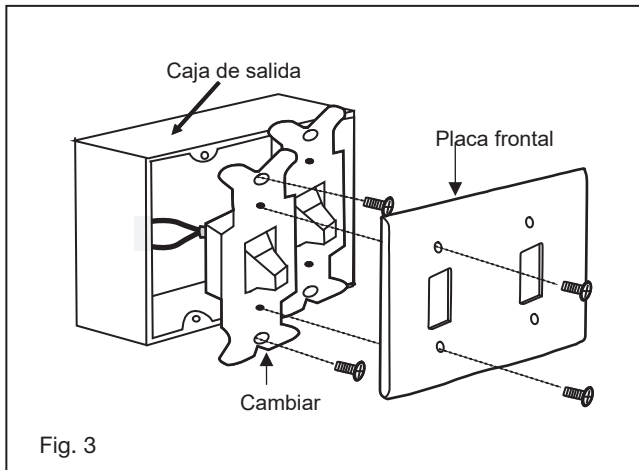


Fig. 3

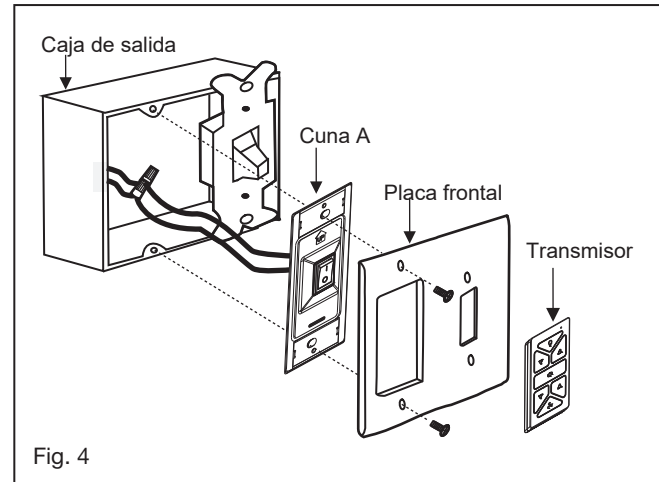


Fig. 4

 **HIRO** Sistema de control HIRO







OPERACIÓN

Su motor DC sin escobillas está equipado con un control remoto de tipo aprendido automáticamente. No hay interruptores de frecuencia en el receptor o transmisor. El ventilador puede comenzar a usarse una vez que finaliza el proceso de emparejamiento. Retire el panel del transmisor y luego instale una batería 2032 (incluida). Necesita usar una moneda para abrir o cerrar la tapa de la batería. Para evitar daños en el transmisor, retire la batería si no se usa durante largos períodos de tiempo (Fig.1)


ADVERTENCIA: Peligro de quemaduras químicas. Mantenga las baterías fuera del alcance de los niños.

Este producto contiene una batería de botón / botón de litio. Si una batería de botón / botón de litio nueva o usada se ingiere o ingresa al cuerpo, puede causar quemaduras internas graves y puede provocar la muerte en tan solo 2 horas. Asegure siempre completamente el compartimiento de la batería. Si el compartimiento de las pilas no se cierra de forma segura, deje de usar el producto, retire las pilas y manténgalo alejado de los niños. SI cree que las baterías pueden haber sido ingeridas o colocadas dentro de cualquier parte del cuerpo, busque atención médica de inmediato.

Las baterías deben desecharse correctamente, incluso manteniéndolas fuera del alcance de los niños; Incluso las células usadas pueden causar lesiones.

- 1  botón:
Presione este botón y suéltelo instantáneamente para encender o apagar la luz.
- 2  botón:
Mantenga presionado para atenuar o iluminar las luces al nivel deseado y suéltelo.
- 3  botón:
Presione este botón para configurar la dirección del viento del ventilador hacia arriba o hacia abajo.
- 4  botón:
Presione el botón para encender y configurar la velocidad del ventilador de 1 a 6.
- 5  botón:
Presione este botón para apagar el ventilador.
-  Luz de señal (Fig.2)

Proceso de emparejamiento

NOTA: Si instala / empareja más de un ventilador en un área, la alimentación debe desconectarse de todos los ventiladores excepto del que se está emparejando. Con el ventilador apagado, restaure la energía al ventilador. Mantenga pulsado el botón “” durante unos 5 segundos y suéltelo. Si se instala un juego de luces opcional, el juego de luces destellará tres veces y el motor girará durante 10 segundos a baja velocidad. El ventilador ha completado el proceso de emparejamiento con el control de pared y está listo para su uso.

NOTA: Se puede controlar un solo ventilador con hasta 3 controles de pared en una habitación. Cada control deberá repetir el proceso de emparejamiento según las instrucciones anteriores y todos los controles deben estar a menos de 30 pies del ventilador.

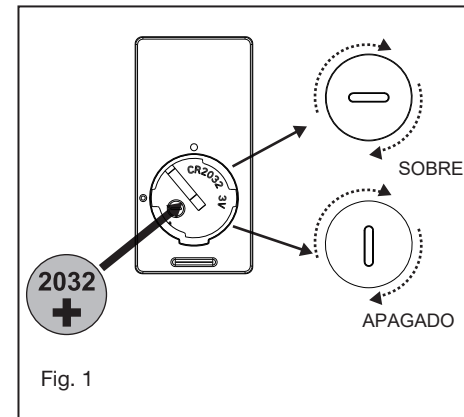


Fig. 1

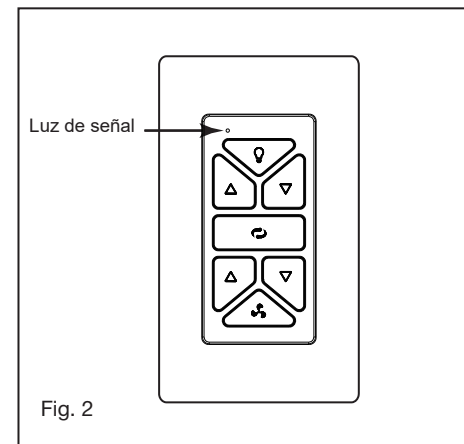
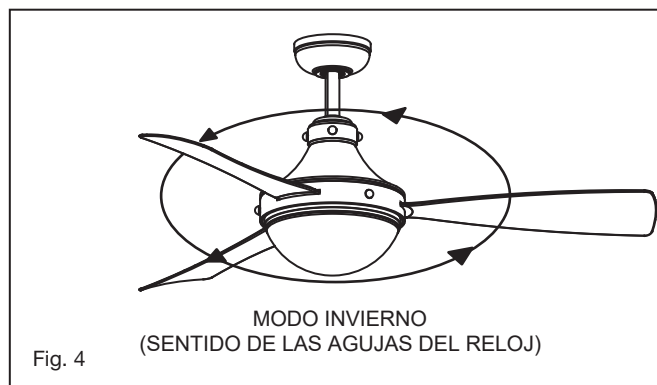
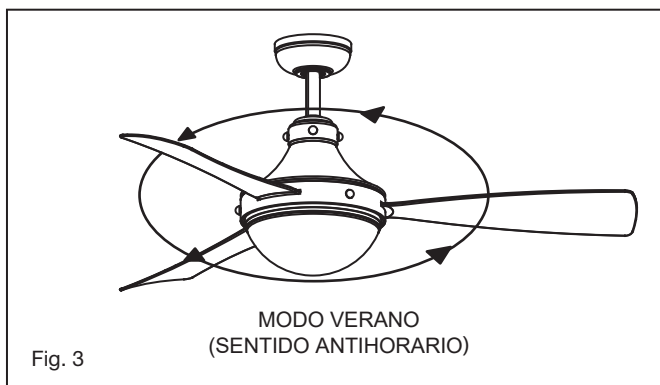


Fig. 2

HIRO Sistema de control HIRO

Funcionamiento en modo verano y modo invierno

- 7 **IMPORTANTE:** Para evitar daños o lesiones, asegúrese de que el ventilador esté apagado y que las aspas hayan dejado de moverse por completo antes de intentar cambiar la dirección de rotación.
- 8 El interruptor de marcha atrás está ubicado en la parte superior de la carcasa del motor. Deslice el interruptor hacia la derecha para operar en modo invierno. Deslice el interruptor hacia la izquierda para operar en modo verano. **Asegúrese de que el interruptor no esté atascado entre las posiciones de avance y retroceso.**
- 9 **Modo Verano (adelante):**
Un flujo de aire HACIA ABAJO crea un efecto de enfriamiento como se muestra en la Figura 3. Esto le permite configurar su aire acondicionado en una configuración más cálida sin afectar su comodidad.
- 10 **Modo invierno (inverso):**
Un flujo de aire HACIA ARRIBA mueve el aire más cálido fuera del área del techo como se muestra en la Figura 4. Esto le permite configurar su unidad de calefacción en una configuración más fría sin afectar su comodidad.



CUIDADO Y LIMPIEZA

Periódicamente puede ser necesario volver a apretar los tornillos de la hoja al brazo de la hoja o los tornillos del brazo de la hoja al motor para evitar chasquidos o zumbidos durante la operación. Esto es especialmente cierto en climas con amplios rangos de temperatura y humedad.

Al quitar el polvo de las hojas, debe sostener la hoja para evitar que se doble; no se debe aplicar presión a las hojas. Si experimenta algún defecto en el funcionamiento de su ventilador, verifique los siguientes puntos.

SOLUCIÓN DE PROBLEMAS

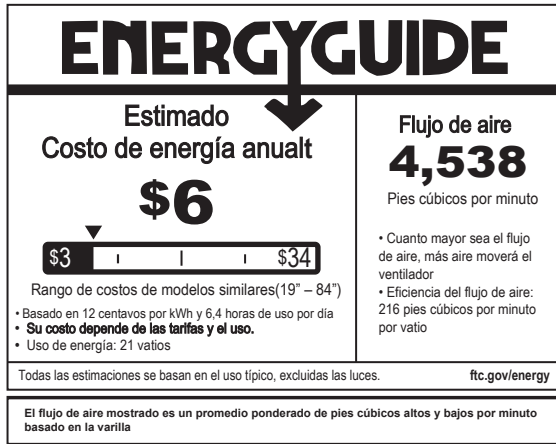
PRECAUCIÓN:

Apague la fuente de alimentación antes de realizar cualquiera de estas comprobaciones.

PROBLEMA	SOLUCIÓN
EL VENTILADOR NO ARRANCA	<ol style="list-style-type: none">1. Verifique para asegurarse de que haya baterías nuevas instaladas en el control remoto o en el control de pared. Verifique los fusibles o disyuntores del circuito.2. Verifique la luz indicadora LED del control de pared. Si el LED no se ilumina al presionar un botón, no está transmitiendo una señal. Verifique la energía al control de pared/disyuntor y todas las conexiones eléctricas.3. Asegúrese de que no haya más de 2 ventiladores funcionando en un circuito a través del control de pared. Asegúrese de que no haya más de 12 ventiladores funcionando en un circuito a través de un interruptor de pared de encendido/apagado o un disyuntor (no a través de un control de pared).4. Asegúrese de que el ventilador esté dentro del alcance del WiFi (150 pies) o del control de pared (30 pies).
EL VENTILADOR SUENA RUIDO	<ol style="list-style-type: none">1. Permita un período de "asentamiento" de 24 horas. La mayor parte del ruido asociado con un ventilador nuevo desaparecerá durante este tiempo.2. Asegúrese de que todos los tornillos de la carcasa del motor estén bien apretados.3. Asegúrese de que los tornillos que sujetan las aspas del ventilador al ventilador estén apretados.4. Asegúrese de que su caja de techo esté segura y de que se utilicen almohadillas aislantes de goma entre el soporte de montaje y la caja eléctrica.
EL VENTILADOR SE TAMBIILA	<ol style="list-style-type: none">1. Verifique que todos los tornillos de la hoja y del brazo de la hoja estén asegurados.2. Si aún se nota el bamboleo de las cuchillas, intercambiar dos cuchillas adyacentes (una al lado de la otra) puede redistribuir el peso y posiblemente dar como resultado un funcionamiento más suave.3. Verifique para asegurarse de que todas las varillas al hardware del motor y/o la bola colgante estén apretadas.4. Asegúrese de que la caja del techo esté segura.

GUÍA ENERGÉTICA

RENDIMIENTO MEDIO E INFORMACIÓN ENERGÉTICA



ESPECIFICACIONES

ESPECIFICACIONES DE RENDIMIENTO	ESTÁNDAR	
	ALTO VELOCIDAD	BAJA VELOCIDAD
Flujo de aire (CFM)	6121	2743
Uso de energía (vatios)	29.2	3.5
Eficiencia del flujo de aire (CFM/W)	209	790
Costos de energía (anual)	\$6	\$1
amperios	0.41	0.06
RPM	102	45

DESCARGA DE LA APLICACIÓN HINKLEY

OPCIONES DE VENTILADOR INTELIGENTE HINKLEY:

Además del control de pared incluido, puede controlar su ventilador Hinkley a través de la aplicación Hinkley.

- Para usar la aplicación Hinkley, descárguela gratis de App Store o Google Play.
- Abra la aplicación Hinkley donde se le pedirá que cree una cuenta.
- Ingrese toda la información necesaria para crear una cuenta.
- Después de crear la cuenta, recibirá un correo electrónico con el código de verificación para terminar de configurar la aplicación Hinkley (consulte la carpeta de correo no deseado si no se recibe el correo electrónico).
- Confirme que Bluetooth esté habilitado para permitir que el ventilador y la aplicación Hinkley se conecten entre sí.
- Haga clic en agregar un dispositivo en la pantalla de inicio y seleccione el ventilador deseado.
- La aplicación Hinkley le pedirá que ingrese el nombre y la contraseña de WiFi.
- Haga clic en Listo en la aplicación Hinkley para completar la conexión del ventilador.
- La aplicación Hinkley tendrá opciones en la pantalla principal para velocidades de ventilador, atenuación y configuración de temporizadores.
- Escanee el código QR a continuación para obtener más información sobre el funcionamiento de la aplicación Hinkley.



ESCANEAR PARA DETALLES ADICIONALES

HINKLEY SE ENCUENTRA ORGULLOSO DE PROPORCIONARLE PRODUCTOS PARA VENTILADORES DE TECHO QUE MEJORAN SU ESPACIO CON COMODIDAD, PROPÓSITO Y ESTILO. COMO EMPRESA FAMILIAR, ESTAMOS COMPROMETIDOS CON EL DISEÑO, EL RENDIMIENTO Y LA CALIDAD, Y LO QUE ES IMPORTANTE PARA USTED ES PARAMOUNT PARA NOSOTROS.

PARA UN SURTIDO COMPLETO DE NUESTROS PRODUCTOS Y FUENTES DE LIBROS, VISITA HINKLEY.COM.

HINKLEY

GLOBAL HEADQUARTERS

33000 Pin Oak Parkway | Avon Lake, Ohio 44012

T (440) 653 5500 | F (440) 653 5555 | hinkley.com

HINKLEY

62" OLIVER™

VENTILATEUR LED INTÉRIEUR/
EXTÉRIEUR



MOUILLÉ



MOTEUR DC



LED



CERTIFIED



**PRÊT
UTILISER.**

**COMMANDE
PRÉ-
APPAIRÉE.**

MANUEL D'INSTRUCTIONS DU VENTILATEUR
DE PLAFOND



HINKLEY

Associer avec l'application HINKLEY
TÉLÉCHARGER SUR APP STORE ou
GOOGLE PLAY

NOUS VOULONS VOUS AIMER VOTRE NOUVEAU FAN

NOUS SOMMES ICI SI VOUS AVEZ UNE QUESTION, BESOIN D'UNE AIDE OU VOULEZ CHAT SUR NOS PRODUITS. ENVOYER DES SUGGESTIONS NOTRE FAÇON AUSSI - NOUS CHERCHONS TOUJOURS À FAIRE DE VOTRE EXPÉRIENCE AVEC HINKLEY UNE POSITIVE.

> SERVICE@HINKLEY.COM

> [800.HINKLEY](https://www.800.hinkley.com)

> [@HINKLEY](https://www.instagram.com/hinkley_style)
[#HINKLEYSTYLE](https://www.instagram.com/hinkley_style)

Ce manuel contient des instructions complètes pour l'installation et le fonctionnement de ce ventilateur. Il a été conçu pour rendre le processus d'installation aussi simple que possible. Si vous n'êtes pas familier ou mal à l'aise avec le câblage, veuillez contacter un électricien qualifié. Si vous avez besoin d'aide supplémentaire ou avez des questions, n'hésitez pas à nous contacter.

Pour des informations sur la garantie, visitez [hinkley.com](https://www.hinkley.com).

TABLE DES MATIÈRES

02	INSTRUCTIONS GÉNÉRALES D'INSTALLATION ET D'UTILISATION	11	INSTALLATION DE L'ENSEMBLE DE LED
03	PRÉCAUTIONS DE SÉCURITÉ IMPORTANTES	12	INSTALLATION DE LA COMMANDE MURALE
03	OUTILS ET MATÉRIAUX REQUIS	14	OPÉRATION
04	DÉBALLAGE DE VOTRE VENTILATEUR	16	ENTRETIEN ET NETTOYAGE
05	PRÉPARATION	16	DÉPANNAGE
05	INSTALLATION DU SUPPORT DE SUSPENSION	17	GUIDE ÉNERGÉTIQUE
06	SUSPENDRE LE VENTILATEUR	17	CARACTÉRISTIQUES
08	CONNECTIONS ELECTRIQUES	18	TÉLÉCHARGEMENT DE L'AP HINKLEY
09	INSTALLATION D'UN AUVENT DE PLAFOND		
10	INSTALLATION DES LAMES		

**PRÊT
UTILISER.**

**CONTRÔLE
PRÉ-ASSOCIÉ.**

REMARQUE: Si un **APPAIRAGE** est nécessaire, reportez-vous aux instructions d'appairage des commandes dans la section "Opérations" de ce manuel d'instructions.

AVERTISSEMENT:

Lisez et suivez attentivement ces instructions et soyez attentif à tous les avertissements qui y figurent.

INSTRUCTIONS GÉNÉRALES D'INSTALLATION ET DE FONCTIONNEMENT

- 1 Pour garantir le succès de l'installation, assurez-vous de lire les instructions et de revoir attentivement les schémas avant de commencer.
- 2 Pour éviter tout risque de choc électrique, assurez-vous que l'électricité est coupée au niveau du boîtier d'alimentation principal avant le câblage. Toutes les connexions électriques doivent être effectuées conformément aux codes locaux, aux ordonnances et/ou au Code national de l'électricité. Si vous n'êtes pas familier avec les méthodes d'installation du câblage et des produits électriques, faites appel aux services d'un électricien qualifié et agréé ainsi que d'une personne capable de vérifier la résistance des éléments de support du plafond et d'effectuer la ou les installations et connexions appropriées.
- 3 **AVERTISSEMENT** : Pour réduire le risque d'incendie, de choc électrique ou d'autres blessures corporelles, montez le ventilateur uniquement sur une boîte de sortie ou un système de support marqué comme acceptable pour un support de ventilateur de 35 lb (15,9 kg ou moins et utilisez les vis de montage fournies avec la boîte de sortie. . La plupart des boîtes de sortie couramment utilisées pour le support des luminaires ne sont pas acceptables pour le support des ventilateurs et peuvent devoir être remplacées. Consultez un électricien qualifié en cas de doute.
- 4 Assurez-vous que votre site d'installation ne permettra pas aux pales du ventilateur en rotation d'entrer en contact avec un objet. Les lames doivent être à au moins 7 pieds du sol.
- 5 Les lames doivent être fixées une fois le boîtier du moteur suspendu et mis en place. Le boîtier du moteur du ventilateur doit être conservé dans le carton jusqu'à ce qu'il soit prêt à être installé pour protéger sa finition. Si vous installez plusieurs ventilateurs de plafond, assurez-vous de ne pas mélanger les ensembles de pales de ventilateur, car chaque pale fait partie d'un ensemble pondéré.
- 6 Après avoir effectué les connexions électriques, les conducteurs épissés doivent être tournés vers le haut et poussés avec précaution vers le haut dans la boîte de sortie. Les fils doivent être écartés avec le conducteur commun et le conducteur de terre d'un côté de la boîte de sortie, et le Fils "CHAUDS" de l'autre côté.
- 7 Les schémas électriques sont uniquement à titre de référence. Les kits d'éclairage qui ne sont pas emballés avec le ventilateur doivent être répertoriés UL et doivent être installés conformément aux instructions d'installation du kit d'éclairage.
- 8 Une fois le ventilateur complètement installé, vérifiez que toutes les connexions sont sécurisées pour éviter que le ventilateur ne tombe et/ou ne cause des dommages ou des blessures.
- 9 Le ventilateur peut être mis en marche immédiatement après l'installation - les roulements sont suffisamment chargés de graisse de sorte que, dans des conditions normales, une lubrification supplémentaire ne devrait pas être nécessaire pendant toute la durée de vie du ventilateur.
- 10 Pour faire fonctionner la fonction d'inversion sur ce ventilateur, appuyez sur le bouton d'inversion pendant que le ventilateur est en marche.
- 11 **ATTENTION** : Ne pas ingérer la batterie - Risque de brûlure chimique. Gardez les piles neuves et usagées hors de portée des enfants.
- 12 La télécommande est fournie avec une pile bouton/bouton. Si la pile bouton/bouton est avalée, cela peut provoquer de graves brûlures internes en seulement 2 heures et entraîner la mort.
- 13 Si le compartiment à piles ne se ferme pas correctement, arrêtez d'utiliser le produit et gardez-le hors de portée des enfants.
- 14 Si vous pensez que des piles ont pu être avalées ou placées dans une partie quelconque du corps, consultez immédiatement un médecin.

PRÉCAUTIONS DE SÉCURITÉ IMPORTANTES

AVERTISSEMENTS:

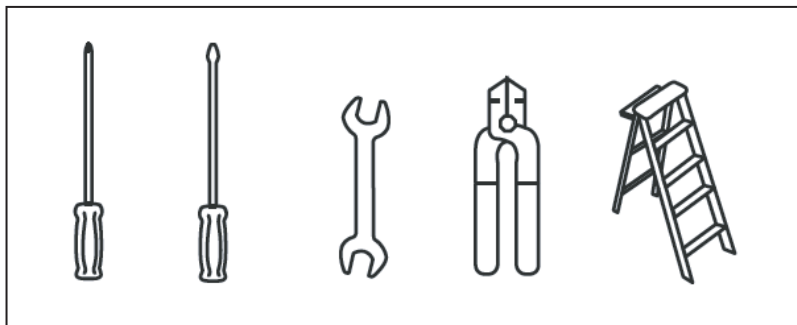
- Coupez l'alimentation en retirant le fusible ou en fermant le disjoncteur avant d'installer le ventilateur et / ou l'éclairage en option.
- Support directement à partir de la structure du bâtiment.
- Pour réduire le risque d'incendie, d'électrocution ou de blessure, montez sur la boîte de sortie marquée "acceptable pour le support du ventilateur" et utilisez les vis de montage fournies avec la boîte de sortie. La plupart des boîtiers de sortie couramment utilisés pour le support des appareils d'éclairage ne sont pas acceptables pour le support du ventilateur et peuvent devoir être remplacés. Consulter un électricien qualifié en cas de doute.
- N'utilisez pas de gradateur de lumière incandescente. N'utilisez pas ce ventilateur avec un dispositif de contrôle de vitesse de ventilateur de type transformateur.
- Pour réduire le risque de blessures corporelles, ne pliez pas les bras des pales lors de leur installation, de l'équilibrage des pales ou du nettoyage du ventilateur.
- N'insérez aucun objet entre les pales du ventilateur en rotation.

REMARQUE:

Les précautions, garanties et instructions importantes figurant dans ce manuel ne sont pas destinées à couvrir toutes les conditions et situations possibles qui peuvent survenir. Il faut comprendre que le bon sens, la prudence et la prudence sont des facteurs qui ne peuvent être intégrés à ce produit. Ces facteurs doivent être fournis par la ou les personnes installant, prenant soin et utilisant l'appareil.

OUTILS ET MATÉRIAUX REQUIS

- TOURNEVIS CRUCIFORME
- TOURNEVIS PLAT
- CLÉ OU PINCE
- COUPE-FIL
- ESCABEAU
- FOURNITURES DE CÂBLAGE
COMME REQUIS PAR LE CODE
ÉLECTRIQUE



DÉBALLAGE DE VOTRE VENTILATEUR

DÉBALLER VOTRE FAN ET VÉRIFIER LE CONTENU

- Ne jetez pas le carton. Si un remplacement ou une réparation sous garantie est nécessaire, le ventilateur doit être retourné dans son emballage d'origine. Retirez toutes les pièces et le matériel. Ne posez pas le boîtier du moteur sur le côté, sinon le boîtier décoratif pourrait se déplacer, être plié ou endommagé.
- Examinez toutes les pièces. Vous devriez avoir les éléments suivants:

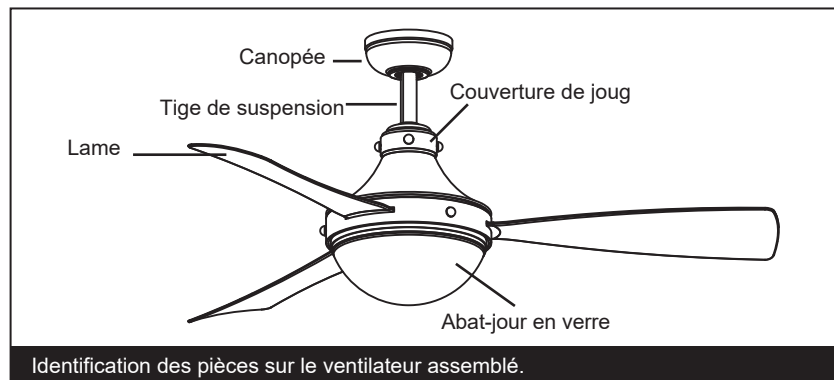
	CONTENU DU FORFAIT OLIVER		
	1	Jeu de 3 lames	BL905962Fxx
	2	Plaques support de lame	X
	3	Support de suspension	CA902672Fxx
	4	Auvent de plafond et anneau de garniture	
	5	Ensemble de tige de suspension	DR94016Fxx
	6	Couverture de joug	YC905950Fxx
	7	Boîtier de ventilateur avec moteur *Retirez les supports d'expédition en caoutchouc autour du moteur, le cas échéant. Conservez les vis.	X
	8	Assemblage LED 24 W	LK905950Fxx
	9	Récepteur inclus. 5 serre-fils	CWT905962
	10	Commande murale avec batterie 2032, support A, plaque murale, plaque frontale, 2 vis de montage, Support B (pour utilisation sur mur plat uniquement)	980014FWH-R
11	Sac de matériel		
	Matériel de montage du support (vis à bois, vis, rondelles frein, rondelles étoiles, rondelles plates, serre-fils), Vis de la lame au moteur avec rondelles de blocage, Kit d'équilibre, Matériel de câble de sécurité (vis à bois, rondelle plate)	MH905950Fxx	
REMARQUE : La conception des pièces illustrées ci-dessus peut être légèrement différente pour votre modèle spécifique de ventilateur.			XX=FINITION VENTILATEUR

PRÉPARATION

PRÉPARATION:

Vérifiez que vous disposez de toutes les pièces avant de commencer l'installation. Vérifiez attentivement l'insert en papier de pâte à papier pour déceler les pièces manquantes. Retirez le moteur de son emballage. Pour éviter d'endommager la finition, assemblez le moteur sur une surface douce et rembourrée ou utilisez l'insert en papier de pâte d'origine dans le boîtier du moteur.

NE POSEZ PAS LE CARTER DU MOTEUR SUR SON CÔTÉ CAR CELA POURRAIT ENTRAÎNER UN DÉPLACEMENT DU MOTEUR DANS L'ENVELOPPE DÉCORATIVE.

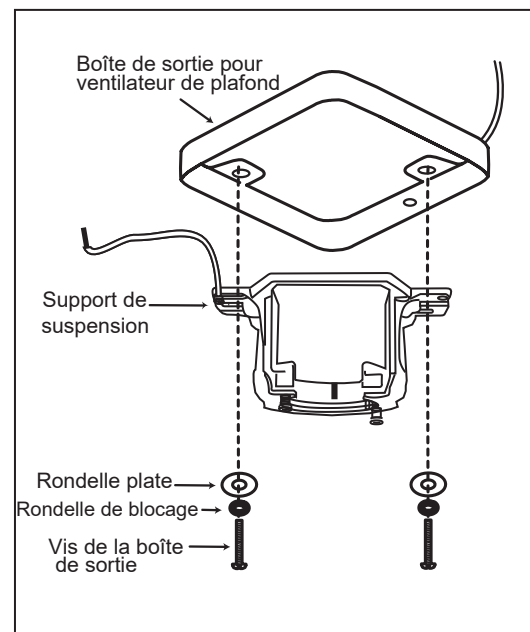


Identification des pièces sur le ventilateur assemblé.

INSTALLATION DU SUPPORT DE SUSPENSION

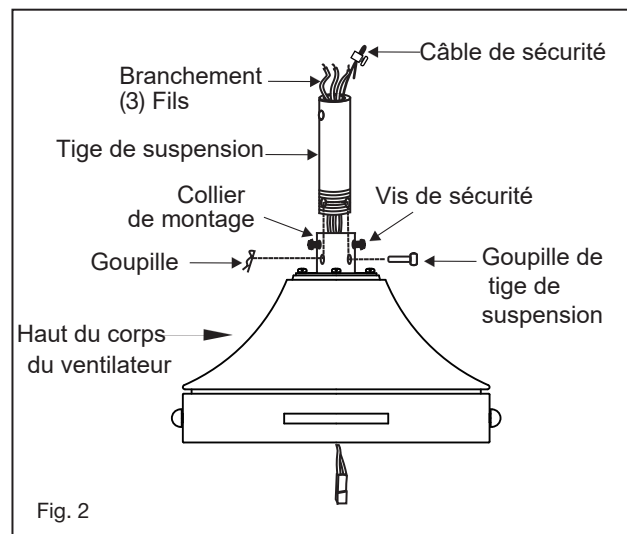
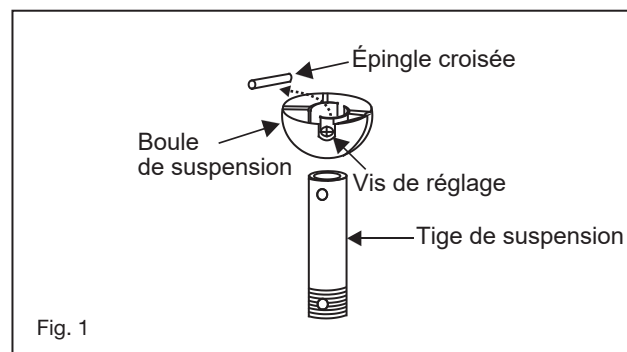
ATTENTION : Pour éviter tout risque de choc électrique, assurez-vous que l'électricité est coupée au niveau du boîtier d'alimentation principal avant le câblage. Tout le câblage doit être conforme aux codes électriques nationaux et locaux et le ventilateur de plafond doit être mis à la terre par mesure de précaution contre un éventuel choc électrique.

- 1 Localisez la solive de plafond où le ventilateur doit être monté, en vous assurant que l'emplacement est conforme aux exigences de la section sur le dégagement minimum de ce guide. Les solives de bois doivent être solides et de dimensions adéquates pour supporter 35 livres (Voir page 2, articles 3 et 4).
- 2 Si ce n'est pas déjà fait, montez une boîte de sortie homologuée UL marquée « adapté au support de ventilateur » en suivant les instructions fournies avec la boîte de sortie. La boîte de sortie doit pouvoir supporter un minimum de 35 livres.
- 3 Retirez l'auvent du support de suspension. Retirez l'anneau de garniture à verrouillage rotatif en le tournant dans le sens inverse des aiguilles d'une montre. Retirez la vis du pavillon qui n'a pas de fente pour clé dans le pavillon. Desserrez la vis avec la fente pour clé et retirez le capot.
- 4 Fixez le support de suspension à la boîte de sortie à l'aide des vis fournies avec la boîte de sortie.



SUSPENDRE LE VENTILATEUR

- 1 Retirez la boule de la tige de suspension en desserrant la vis de réglage sur le côté de la boule. Faites glisser la boule vers le bas et retirez la goupille transversale ; retirer la balle. (Fig. 1)
 - 2 Soutenez soigneusement le corps du ventilateur (moteur) dans son emballage en pâte avec le collier de montage (là où sortent les fils) vers le haut.
 - 3 Desserrez les deux vis de sécurité et retirez la goupille de tige de suspension et la goupille fendue de l'accouplement sur le dessus de l'ensemble moteur. (Fig.2)
- Faites passer soigneusement les fils électriques et le câble de sécurité du ventilateur à travers la tige de suspension.
- 4 Vissez la tige de suspension dans le coupleur jusqu'à ce que les trous soient alignés. Insérez la goupille de la tige de suspension dans les trous du collier de montage et de la tige de suspension ; Clipsez la goupille fendue dans le petit trou à l'extrémité de la tige de suspension pour maintenir la tige de suspension en place.
 - 5 Serrez les vis de sécurité contre la tige de suspension à l'aide d'un grand tournevis à lame plate pour garantir un ajustement serré contre la tige de suspension.

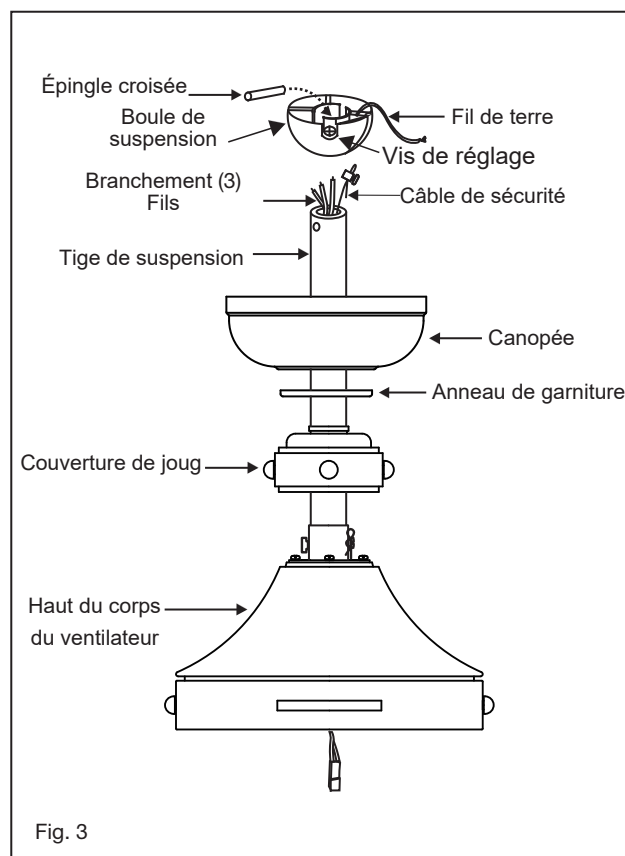


- 1 Glissez le couvercle de l'étrier, l'anneau de garniture et le pavillon sur la tige de suspension. (Fig.3)
- 2 Faites glisser la boule de suspension sur la tige de suspension, insérez la goupille transversale dans la tige de suspension et serrez. Serrez la vis de réglage.

NOTE:

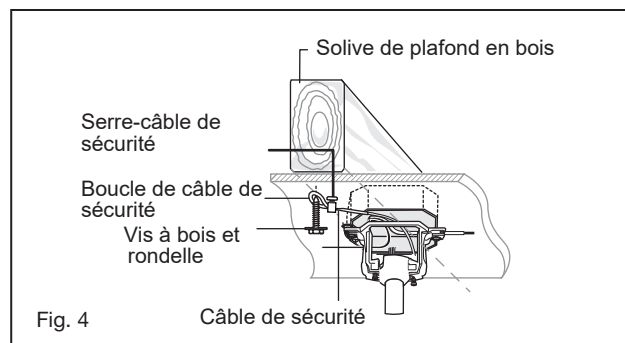
Le ventilateur dispose de 6 pieds de fil de connexion au cas où vous utiliseriez une longue tige de suspension d'extension.

- 3 Soulevez la boule/la tige de suspension/le ventilateur dans l'ouverture de suspension du support. **REMARQUE** : La languette opposée à l'ouverture du support de suspension doit s'insérer dans la fente de la boule. (Fig.4)



INSTALLATION DU SUPPORT DE CÂBLE DE SÉCURITÉ

Fixez la vis à bois et la rondelle plate à la solive du plafond comme illustré (ne serrez pas complètement). Faites glisser le serre-câble sur le câble de sécurité du ventilateur. Enroulez le câble de sécurité autour de la vis à bois qui vient d'être fixée à la solive du plafond. Insérez l'extrémité du câble dans la pince et faites passer autant de câble que possible. Serrez fermement la vis dans la pince. Coupez l'excédent de câble et serrez la vis à bois sur la solive du plafond.



CONEXIONES ELÉCTRICAS

N'OUBLIEZ PAS - Coupez l'alimentation ! **REMARQUE** - La commande doit être installée à l'intérieur 30 pieds de ventilateur.

AVERTISSEMENTS : Vérifiez que toutes les connexions sont bien serrées, y compris la terre, et qu'aucun fil dénudé n'est visible au niveau des serre-fils, à l'exception du fil de terre.

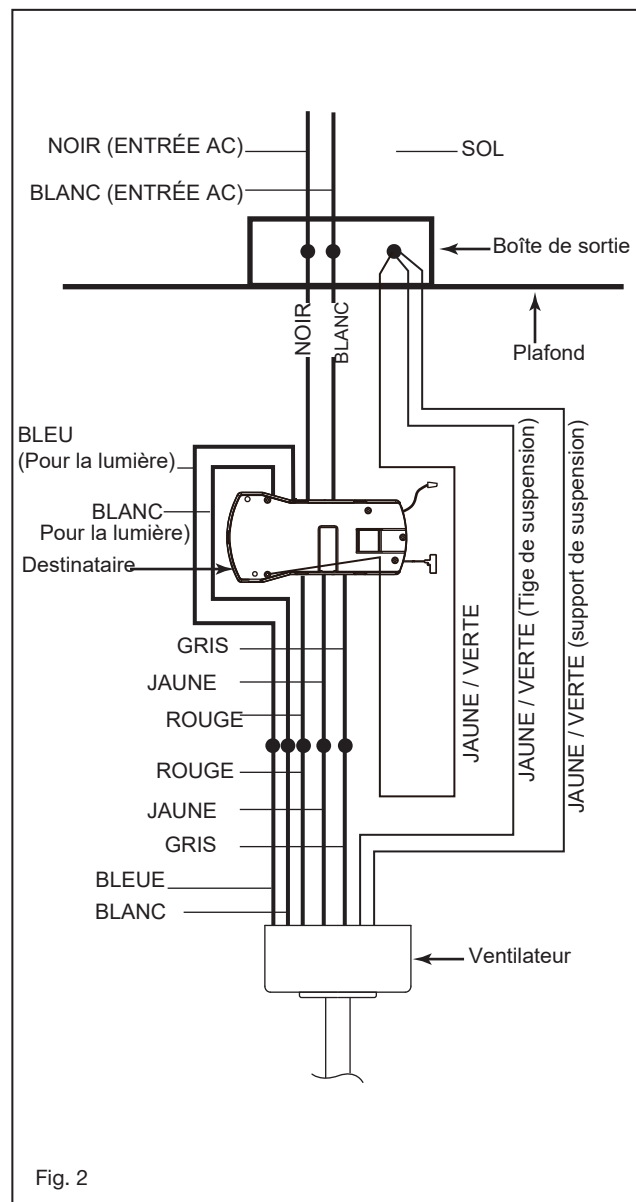
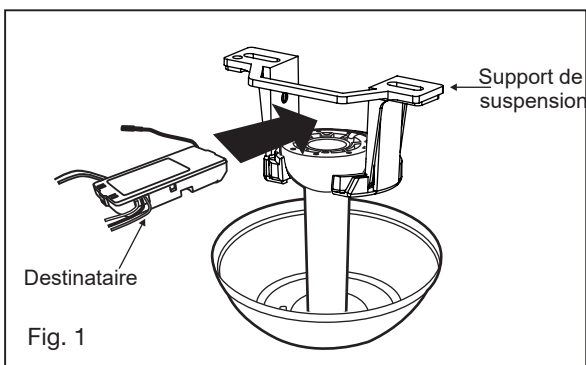
ATTENTION : Pour réduire le risque de choc électrique, ce ventilateur doit être installé avec une commande/interrupteur mural isolant.

1. Insérez le récepteur dans le support de montage au plafond avec le côté plat du récepteur face au plafond. (Fig. 1) Pour de meilleures performances, assurez-vous que l'antenne noire et l'antenne WIFI, à l'extrémité du récepteur, restent étendues et ne sont pas emmêlées avec aucun des fils électriques.

2. Effectuez les connexions filaires du ventilateur au récepteur. Pour ça étape utiliser le faisceau de 5 fils sur le récepteur. (Fig.2)
Connectez le fil JAUNE du ventilateur au fil JAUNE du récepteur.
Connectez le fil GRIS du ventilateur au fil GRIS du récepteur.
Connectez le fil neutre ROUGE du ventilateur au fil neutre ROUGE du récepteur. Connectez le fil BLANC du kit d'éclairage neutre du ventilateur au fil BLANC du récepteur marqué « For Light ».
Connectez le fil du kit d'éclairage BLEU du ventilateur au fil du récepteur BLEU marqué « For Light ».

Les couleurs des fils du ventilateur sont bleu/blanc pour le kit d'éclairage. Les fils du kit d'éclairage du contrôleur/récepteur sont bleus/blancs.

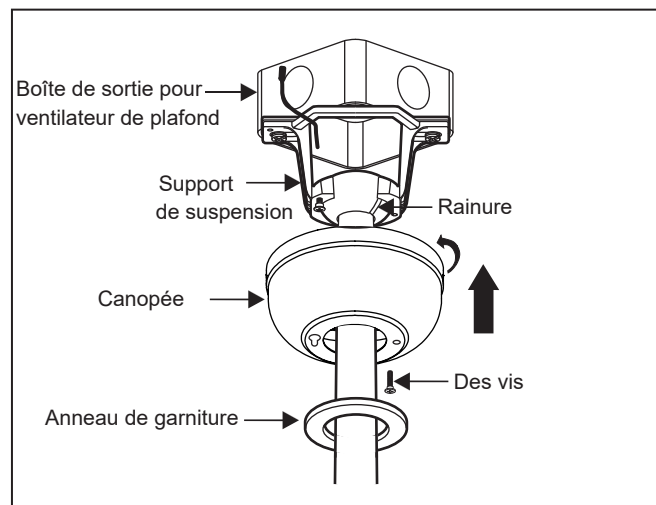
3. Connectez le câblage du plafond au récepteur. (Utilisez le faisceau de 2 fils sur le récepteur.) Fixez avec les serre-fils fournis.
Connectez le fil NOIR d'alimentation du bâtiment au fil NOIR du récepteur.
Connectez le fil neutre BLANC du récepteur au fil neutre BLANC du bâtiment.
Connectez le fil de terre du bâtiment en CUIVRE aux 3 fils de terre JAUNE/VERT du ventilateur et du récepteur.



INSTALLATION D'UN AUVENT DE PLAFOND

- 1 Rentez soigneusement les connexions dans la boîte de sortie au plafond.
- 2 Retirez une vis du support et faites glisser l'auvent jusqu'au support de montage et placez le trou de serrure sur la vis sur le support de montage, tournez l'auvent jusqu'à ce qu'il se verrouille en place au niveau de la section étroite des trous de serrure.
- 3 Alignez le trou circulaire du auvent avec le trou restant sur le support de montage, fixez-le en serrant les deux vis de réglage.

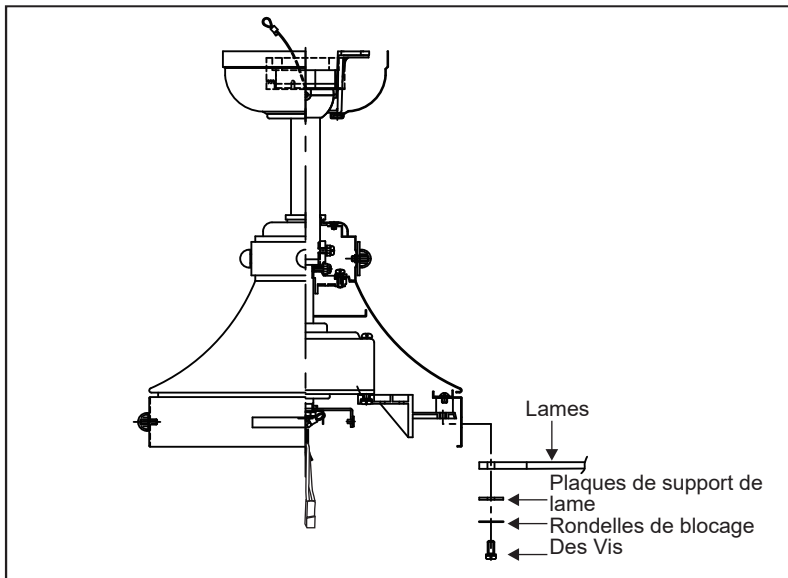
REMARQUE : Ajustez les vis du pavillon si nécessaire jusqu'à ce que le pavillon et l'anneau de garniture soient bien ajustés.



AVERTISSEMENT:

Assurez-vous que le crochet du support de suspension est correctement placé dans la rainure de la boule de suspension avant de fixer l'auvent au support en tournant le boîtier jusqu'à ce qu'il se mette en place.

INSTALLATION DES LAMES



ATTENTION : Retirez les deux supports d'emballage en caoutchouc de l'ensemble moteur du ventilateur et jetez-les avant de fixer les pales.

Insérez la lame dans la fente du boîtier. Alignez les trous sur la pale et l'ensemble moteur du ventilateur et fixez-les avec les plaques de support de pale et les vis de fixation de pale.

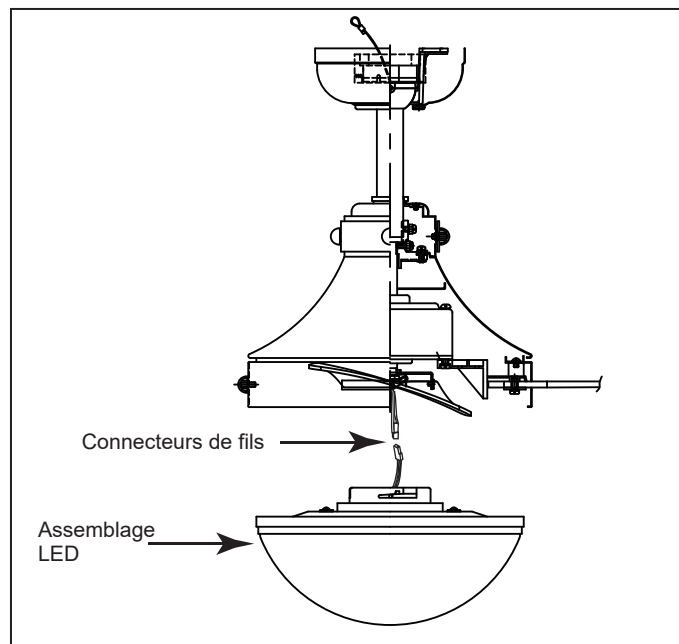
NOTA:

Les tournevis électriques sans fil ne sont PAS recommandés, car ils dénudent généralement les têtes des vis et ne compriment généralement pas complètement les rondelles de blocage des vis du moteur. Utilisez un grand tournevis à lame plate pour le serrage final afin de comprimer complètement les rondelles. Cela aidera à garantir un bon alignement des lames et un fonctionnement sans bruit et sans oscillation.

INSTALLATION DE L'ENSEMBLE DE LED

REMARQUE : assurez-vous que l'alimentation est coupée avant l'installation.

- 1 Tout en maintenant l'ensemble LED sous votre ventilateur, effectuez les connexions à fiches polarisées :
 - Du blanc au blanc
 - Du noir au noir
- 2 Positionnez les encoches sur le bord intérieur du kit d'éclairage LED de manière à ce qu'elles correspondent aux languettes à l'extérieur du bord de la plaque de montage du kit d'éclairage. Soulevez délicatement le kit d'éclairage LED à l'intérieur de la plaque de montage du kit d'éclairage et fixez-le au ventilateur en tournant le kit d'éclairage LED dans le sens des aiguilles d'une montre jusqu'à ce qu'il soit bien ajusté.
- 3 Rétablissez le courant et votre ensemble LED est prêt à fonctionner.



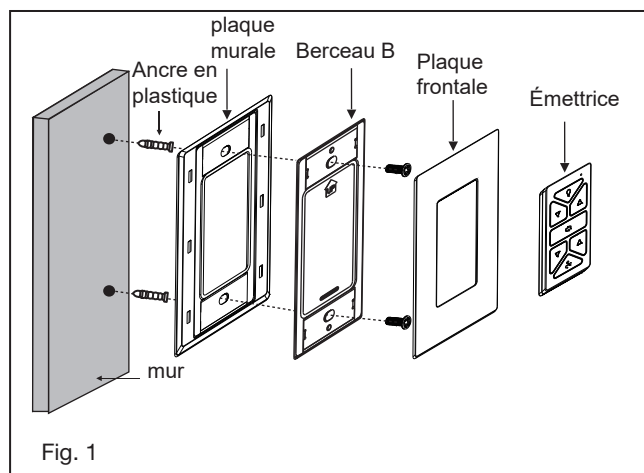
INSTALLATION DE LA COMMANDE MURALE

N'OUBLIEZ PAS de couper l'alimentation avant de commencer.

REMARQUE - Se fixe à n'importe quelle surface ou application : mur plat, boîte simple, boîte multi.

Option 1. Installation sur une surface plane

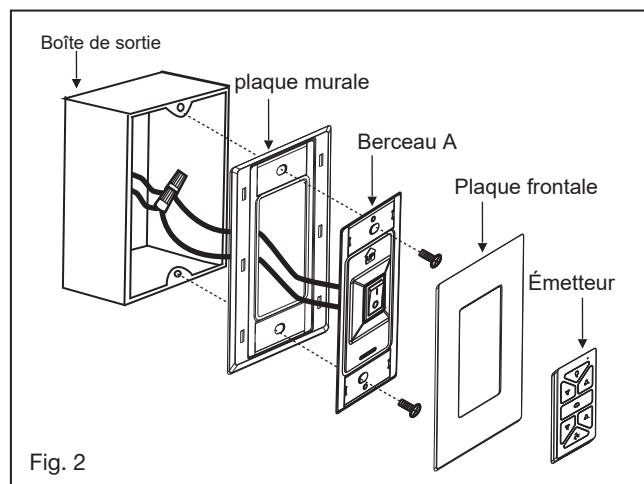
- 1 Sélectionnez un emplacement souhaité. Utilisez la plaque murale pour marquer l'emplacement des trous de montage. Des chevilles murales en plastique ou des vis de montage sont nécessaires pour cette application. (Fig. 1)
- 2 Placez le berceau B dans la plaque murale. Fixez la plaque murale au mur à l'aide de la quincaillerie fournie.
- 3 Enclenchez le couvercle de la plaque frontale sur le support mural.
- 4 L'émetteur à distance sera maintenu en place avec intégré m



HIRO Système de contrôle HIRO

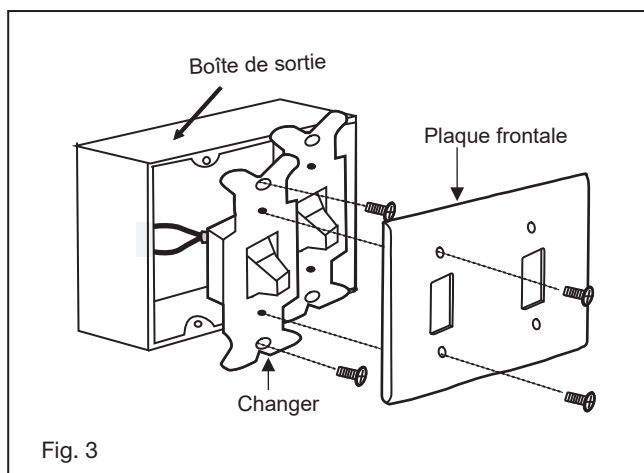
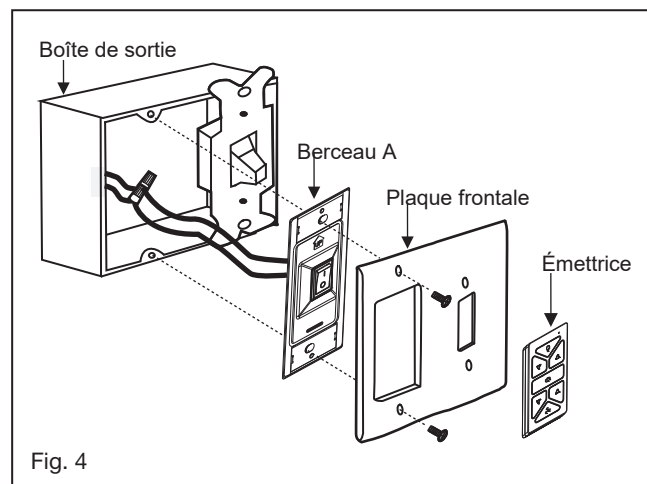
Option 2. Pour une seule boîte de gang

- 1 Retirez la plaque murale existante et l'ancien interrupteur de la boîte de prise murale.
- 2 Placez le berceau A dans la plaque murale. (Fig. 2)
- 3 Connectez les fils noirs du commutateur dans le berceau A aux fils noirs dans le boîtier de commutation. Fil d'entrée chaud vers l'un des fils du commutateur du berceau A. Le fil d'alimentation du ventilateur est connecté au fil de l'interrupteur restant.
- 4 Connectez l'ensemble plaque murale / berceau A à la boîte de sortie murale à l'aide du matériel fourni.
- 5 Enclenchez le couvercle de la plaque frontale sur le support mural.
- 6 L'émetteur à distance sera maintenu en place avec des aimants intégrés



Option 3. Installation d'un boîtier d'interrupteur mural multi-groupes

- 1 Retirez la plaque murale existante et l'ancien interrupteur de la boîte de prise murale. (Fig. 3)
- 2 Connectez les fils noirs du commutateur dans le berceau A aux fils noirs dans le boîtier de commutation. Fil d'entrée chaud vers l'un des fils du commutateur du socle. Le fil d'alimentation du ventilateur est connecté au fil de l'interrupteur restant. (Fig. 4)
- 3 Fixez le berceau A au boîtier d'interrupteur mural à l'aide du matériel fourni.
- 4 Fixez la plaque frontale multi-gang à l'interrupteur situé dans la boîte de prise murale. Le berceau A de l'interrupteur Hinkley s'adaptera à n'importe quelle plaque frontale decora standard.
- 5 L'émetteur à distance sera maintenu en place avec des aimants intégrés.



HIRO Système de contrôle HIRO

OPÉRATION

Votre moteur DC sans balais est équipé d'une télécommande de type à apprentissage automatique. Il n'y a pas de commutateurs de fréquence sur le récepteur ou l'émetteur. Le ventilateur peut commencer à fonctionner une fois le processus d'appairage terminé.

Retirez le panneau de l'émetteur, puis installez une pile 2032 (incluse). Vous devez utiliser une pièce de monnaie pour ouvrir ou fermer le couvercle de la batterie. Pour éviter d'endommager l'émetteur, retirez la batterie s'il n'est pas utilisé pendant de longues périodes (Fig. 1).



AVERTISSEMENT : Risque de brûlure chimique. Gardez les piles hors de portée des enfants.

Ce produit contient une pile bouton/bouton au lithium. Si une pile bouton/bouton au lithium neuve ou usagée est avalée ou pénètre dans le corps, elle peut provoquer de graves brûlures internes et entraîner la mort en seulement 2 heures. Sécurisez toujours complètement le compartiment à piles. Si le compartiment des piles ne se ferme pas correctement, arrêtez d'utiliser le produit, retirez les piles et gardez-le hors de portée des enfants. Si vous pensez que des piles ont pu être avalées ou placées dans une partie quelconque du corps, consultez immédiatement un médecin.

Les piles doivent être éliminées de manière appropriée, notamment en les gardant hors de portée des enfants ; Même les cellules utilisées peuvent provoquer des blessures.

- 1 bouton: Appuyez et relâchez ce bouton pour allumer/éteindre la lumière.
- 2 bouton: Appuyez sur ces boutons pour atténuer ou éclaircir les lumières au niveau souhaité et relâchez.
- 3 bouton: Appuyez sur ce bouton pour régler la direction du vent du ventilateur vers le haut ou vers le bas.
- 4 bouton: Appuyez sur ces boutons pour augmenter/diminuer la vitesse du ventilateur entre les vitesses 1 et 6.
- 5 bouton: Appuyez et relâchez ce bouton pour allumer/éteindre le ventilateur.
- 6 Feu de signalisation (Fig. 2)

REMARQUE : Si vous installez/appairez plus d'un ventilateur dans une zone, l'alimentation doit être débranchée de tous les ventilateurs, à l'exception de celui en cours d'appairage.

REMARQUE : Le ventilateur doit être entièrement installé avec les pales avant d'appairer les commandes.

Le ventilateur étant éteint, rétablissez l'alimentation du ventilateur. Appuyez et maintenez le bouton «» pendant environ 5 secondes et relâchez. Si un kit d'éclairage en option est installé, le kit d'éclairage clignotera trois fois et le moteur tournera pendant 10 secondes à basse vitesse. Le ventilateur a terminé le processus de couplage avec la commande murale et est prêt à être utilisé.

REMARQUE : Un seul ventilateur peut être contrôlé avec jusqu'à 3 commandes murales dans une pièce. Chaque commande devra répéter le processus de couplage en fonction des instructions ci-dessus et toutes les commandes doivent se trouver à moins de 30 pieds du ventilateur.

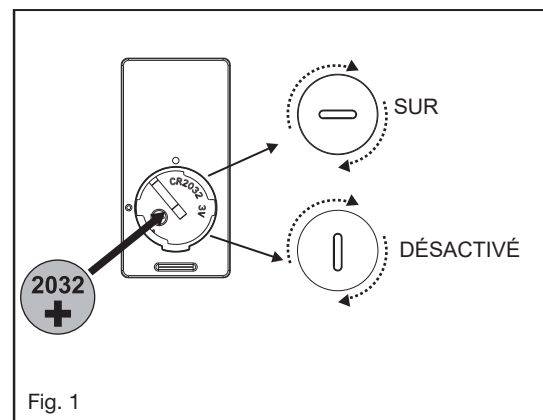


Fig. 1

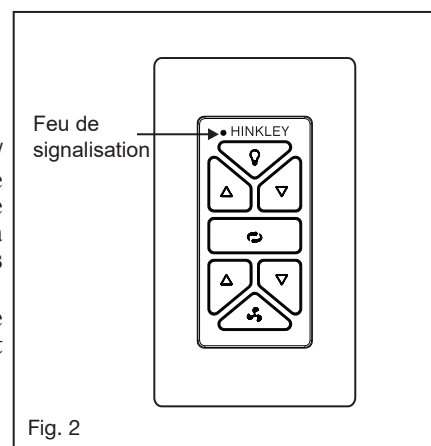
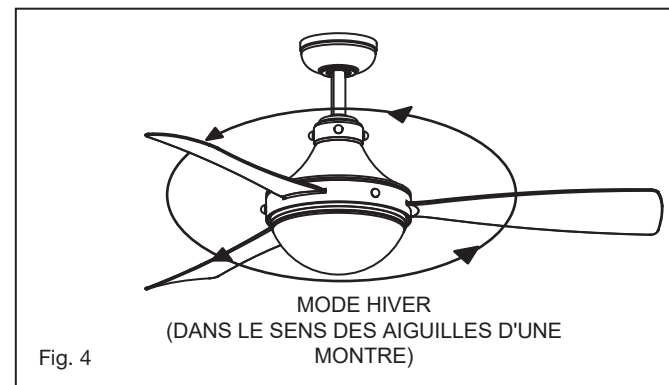
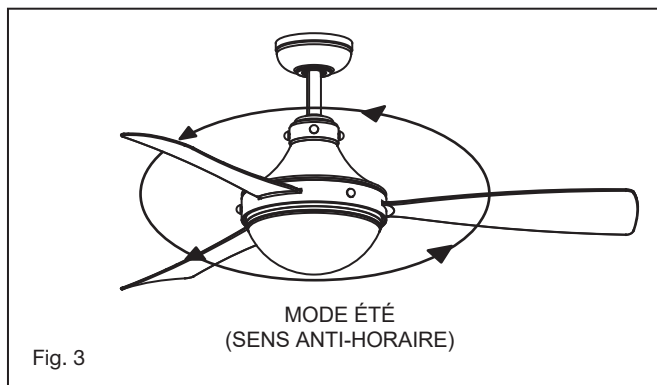


Fig. 2

HIRO HIRO Control System

Fonctionnement en mode été et en mode hiver

- 7 **IMPORTANT** : Pour éviter tout dommage ou blessure, assurez-vous que le ventilateur est éteint et que les pales ont complètement arrêté de bouger avant d'essayer de changer le sens de rotation.
- 8 L'interrupteur inverseur est situé sur le dessus du boîtier du moteur. Faites glisser le commutateur vers la droite pour le fonctionnement en mode hiver. Faites glisser le commutateur vers la gauche pour le fonctionnement en mode été. **Assurez-vous que l'interrupteur n'est pas coincé entre les positions avant et arrière.**
- 9 **Mode été (avant) :**
Un flux d'air **VERS LE BAS** crée un effet de refroidissement comme le montre la figure 3. Cela vous permet de régler votre climatiseur sur un réglage plus chaud sans affecter votre confort.
- 10 **Mode hiver (inverse) :**
Un flux d'air **VERS LE HAUT** déplace l'air plus chaud hors de la zone du plafond, comme le montre la figure 4. Cela vous permet de régler votre unité de chauffage sur un réglage plus frais sans affecter votre confort.



ENTRETIEN ET NETTOYAGE

Périodiquement, il peut être nécessaire de resserrer les vis de la lame sur le bras de lame ou sur les vis du bras de lame sur le moteur pour éviter un clic ou un bourdonnement pendant le fonctionnement. Cela est particulièrement vrai dans les climats caractérisés par de larges plages de température et d'humidité.

Lorsque vous dépoussiérez les lames, vous devez soutenir la lame pour éviter de la plier – aucune pression ne doit être appliquée sur les lames. Si vous rencontrez des défauts dans le fonctionnement de votre ventilateur, veuillez vérifier les points suivants.

DÉPANNAGE

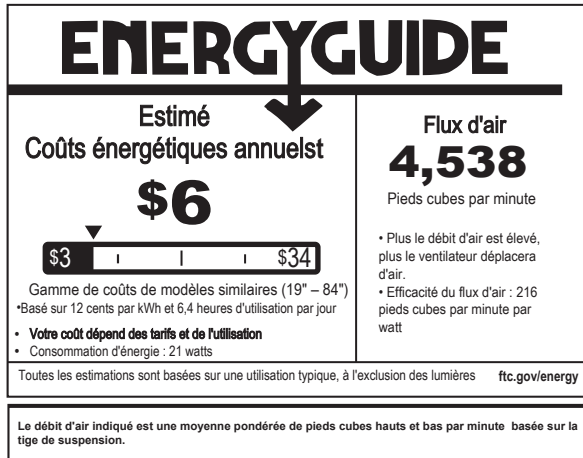
PRUDENCE:

Coupez l'alimentation électrique avant d'effectuer l'une de ces vérifications.

PROBLÈME	SOLUTION
LE VENTILATEUR NE DÉMARRE PAS	<ol style="list-style-type: none">1. Vérifiez que des piles neuves sont installées dans la télécommande ou la commande murale. Vérifiez les fusibles ou les disjoncteurs du circuit.2. Vérifiez le voyant LED de la commande murale. Si la LED ne s'allume pas lorsque vous appuyez sur un bouton, elle ne transmet pas de signal. Veuillez vérifier l'alimentation de la commande murale/du disjoncteur et de toutes les connexions électriques.3. Assurez-vous qu'il n'y a pas plus de 2 ventilateurs fonctionnant sur un circuit via la commande murale. Assurez-vous qu'il n'y a pas plus de 12 ventilateurs fonctionnant sur un circuit via un interrupteur mural marche/arrêt ou un disjoncteur (pas via une commande murale).4. Assurez-vous que le ventilateur est à portée du WiFi (150 pieds) ou de la commande murale (30 pieds).
Le ventilateur semble bruyant	<ol style="list-style-type: none">1. Prévoyez une période de « rodage » de 24 heures. La plupart des bruits associés à un nouveau ventilateur disparaîtront pendant cette période.2. Assurez-vous que toutes les vis du boîtier du moteur sont solidement serrées.3. Assurez-vous que les vis qui fixent la pale du ventilateur au ventilateur sont bien serrées.4. Assurez-vous que votre boîtier de plafond est sécurisé et que des coussinets isolants en caoutchouc sont utilisés entre le support de montage et la boîte de sortie.
Les ventilateurs vacillent	<ol style="list-style-type: none">1. Vérifiez que toutes les vis de la lame et du bras de lame sont bien fixées.2. Si l'oscillation de la lame est toujours perceptible, l'échange de deux lames adjacentes (côte à côte) peut redistribuer le poids et éventuellement entraîner un fonctionnement plus fluide.3. Vérifiez que toutes les tiges de fixation du matériel du moteur et/ou de la boule de suspension sont bien serrées.4. Assurez-vous que le boîtier de plafond est sécurisé.

GUIDE ÉNERGIE

PERFORMANCES MOYENNES ET INFORMATIONS ÉNERGÉTIQUES



CARACTÉRISTIQUES

SPÉCIFICATIONS DE PERFORMANCES	STANDARD	
	GRANDE VITESSE	FAIBLE VITESSE
Débit d'air (CFM)	6121	2743
Consommation d'énergie (Watts)	29.2	3.5
Efficacité du débit d'air (CFM/W)	209	790
Coûts énergétiques (annuels)	\$6	\$1
Ampères	0.41	0.06
RPMs	102	45

TÉLÉCHARGEMENT DE L'APPLICATION HINKLEY

OPTIONS DE VENTILATEURS INTELLIGENTS HINKLEY:

En plus de la commande murale incluse, vous pouvez contrôler votre ventilateur Hinkley via l'application Hinkley.

- Pour utiliser l'application Hinkley, téléchargez-la gratuitement depuis l'App Store ou Google Play.
- Ouvrez l'application Hinkley où vous serez invité à créer un compte.
- Entrez toutes les informations nécessaires pour créer un compte.
- Une fois le compte créé, vous recevrez un e-mail de code de vérification pour terminer la configuration de l'application Hinkley (vérifiez le dossier spam si l'e-mail n'est pas reçu).
- Confirmez que Bluetooth est activé pour permettre au ventilateur et à l'application Hinkley de se connecter.
- Cliquez sur Ajouter un appareil sur l'écran d'accueil et sélectionnez le ventilateur souhaité.
- L'application Hinkley vous demandera alors d'entrer le nom et le mot de passe WiFi.
- Cliquez sur terminé sur l'application Hinkley pour terminer la connexion du ventilateur.
- L'application Hinkley aura des options sur l'écran principal pour les vitesses du ventilateur, la gradation et le réglage des minuteries.
- Scannez le code QR ci-dessous pour plus d'informations sur le fonctionnement de l'application Hinkley.



SCANNEZ POUR PLUS DE DÉTAILS

HINKLEY EST FIÈRE DE VOUS FOURNIR DES PRODUITS DE VENTILATEUR DE PLAFOND QUI AMÉLIORENT VOTRE ESPACE AVEC CONFORT, OBJECTIF ET STYLE. EN TANT QU'ENTREPRISE FAMILIALE, NOUS NOUS ENGAGEONS À CONCEVOIR, PERFORMANCE ET QUALITÉ, ET CE QUI EST IMPORTANT POUR VOUS EST PARAMOUNT POUR NOUS.

POUR UN ASSORTIMENT COMPLET DE NOS PRODUITS ET LIVRES DE SOURCE, VISITEZ [HINKLEY.COM](https://www.hinkley.com).

HINKLEY

GLOBAL HEADQUARTERS

33000 Pin Oak Parkway | Avon Lake, Ohio 44012

T (440) 653 5500 | F (440) 653 5555 | hinkley.com