

Assembly & Installation Instructions

For Twilight Semi-Flush 36-4901 & 12-4910

A236

Page 1 of 2

CAUTION: FAILURE TO INSTALL THIS FIXTURE PROPERLY MAY RESULT IN SERIOUS PERSONAL INJURY OR DEATH AND PROPERTY DAMAGE. We recommend installation by a licensed electrician.

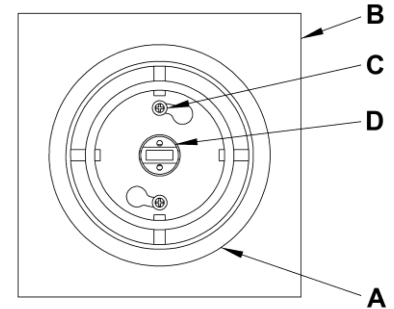
This product must be installed in accordance with applicable installation code(s), by a person familiar with the construction and operation of the product and the hazards involved.*

Caution: Do not exceed maximum wattage noted on fixture. Use only recommended bulbs with fixture.

To Prepare Fixture for Installation (Figure 1)

Component Parts

- A Bottom Assembly
- B Canopy
- C Screws (2)
- D Socket



(Figure 1)

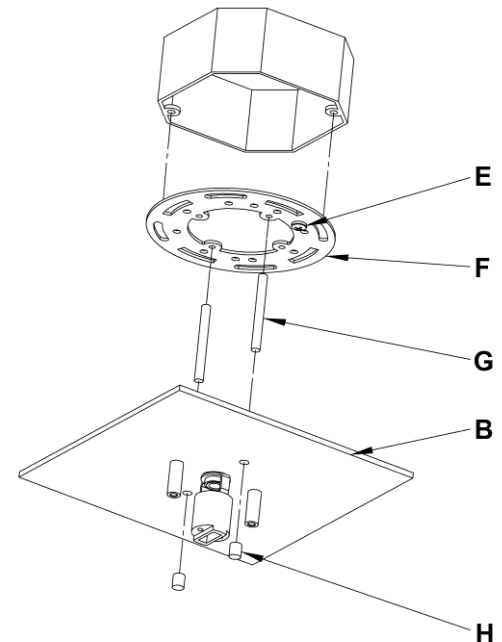
Caution: Be sure power is off at the main breaker box prior to installation

1. Carefully unpack the fixture from the carton.
2. Loosen the two screws (C) located next to the socket (D) and turn the bottom assembly (A) counter clockwise until the heads of the screws (C) are located at the larger diameter of the slot and remove from the canopy (B). It is not necessary to remove the screws.
3. Save all parts for later use.

To Install Fixture (Figure 2)

Component Parts

- B Canopy
- E Ground Screw
- F Cross Bar
- G Threaded Stud (2)
- H Barrel Knobs (2)



(Figure 2)

Caution: Be sure power is off at the main breaker box prior to installation.

1. Thread studs (G) through appropriate holes in cross bar (F) to match hole centers in canopy (B). Move ground screw (E) to another available threaded hole if necessary.
2. Using two machine screws (not provided) fasten cross bar (F) to the electric box using outer oval holes to orient fixture to desired hanging position. **Note:** A new electric box comes with screws. When replacing an existing fixture, retain the screws for use with the new fixture.
3. Using suitable wire connectors (not provided); connect fixture wires to supply wires (white to white and black to black). Run a pigtail lead from crossbar ground screw (E) to the junction box and connect all ground wires (bare copper or green to bare copper). **Caution:** Make sure wire connectors are twisted on securely, and no bare wire is exposed.
4. Slide fixture canopy (B) over threaded studs and push firmly to ceiling, making sure that no wires are pinched between fixture canopy and ceiling. Fasten with barrel knobs (H). Be sure studs (G) are fully seated in barrel knobs (H).

(continued)

Assembly & Installation Instructions

For Twilight Semi-Flush 36-4901 & 12-4910

A236

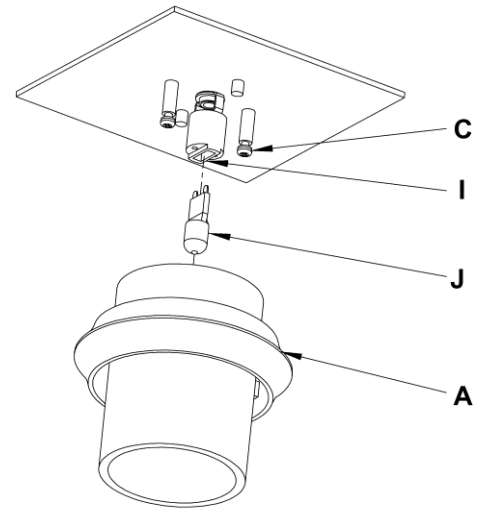
Page 2 of 2

To Install Bulb & Bottom Assembly (Figure 3 & 4)

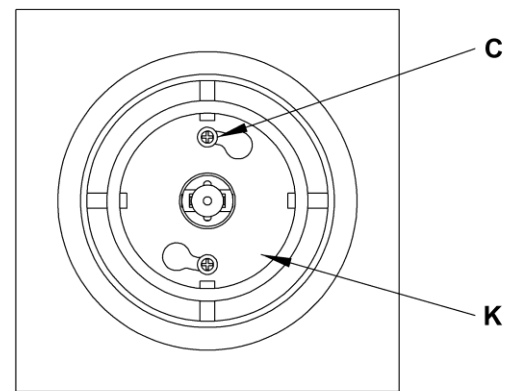
Component Parts

- A Bottom Assembly
- C Screws (2)
- I Socket
- J Bulb (Included)
- K Washer

1. Install light bulb (J). *Be careful not to touch bulb with bare hands; oil from the hands will dramatically reduce bulb life.*
2. Raise bottom assembly (A) over socket (I) aligning holes in washer (K) so the washer keyed ring goes over screws (C).
3. Turn washer (K) clockwise until it stops. Tighten two screws (C) until snug against washer (K) (Figure 4).
4. Restore electricity at main breaker.



(Figure 3)



(Figure 4)

If you need further assistance, or find that you are missing any parts, please contact the dealer from which you purchased this product. We hope you enjoy your fixture!

* Hubbardton Forge will not be liable for injury or damage caused by improper installation, lamping or use of this fixture.