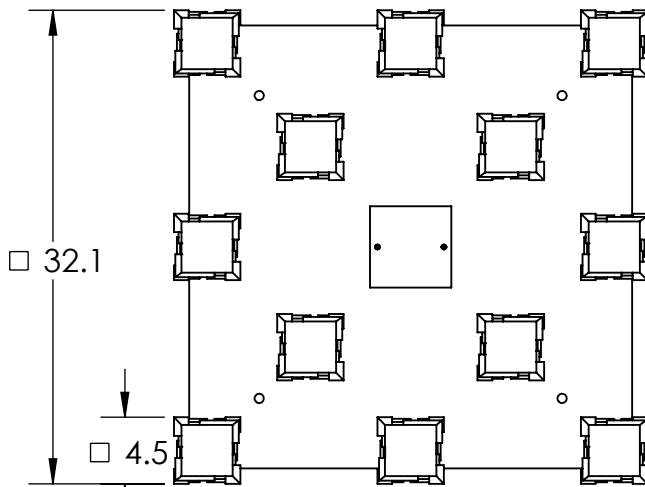
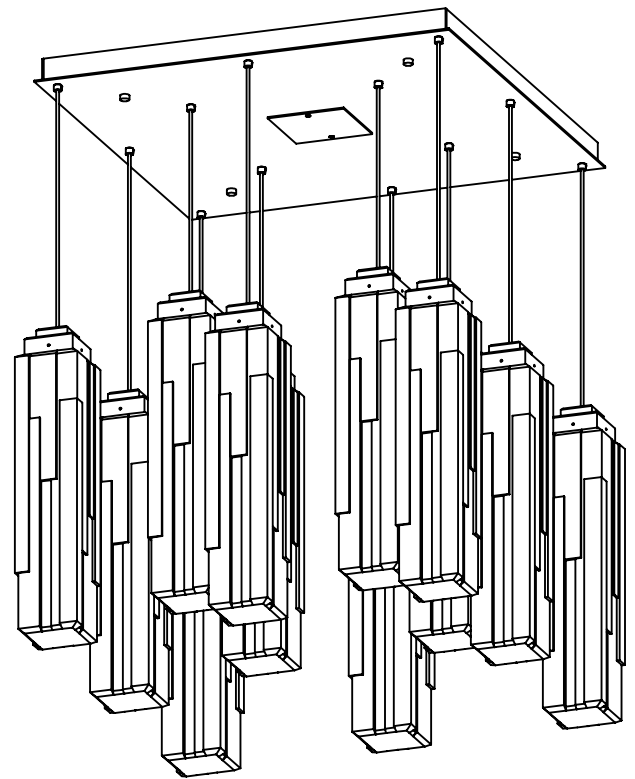
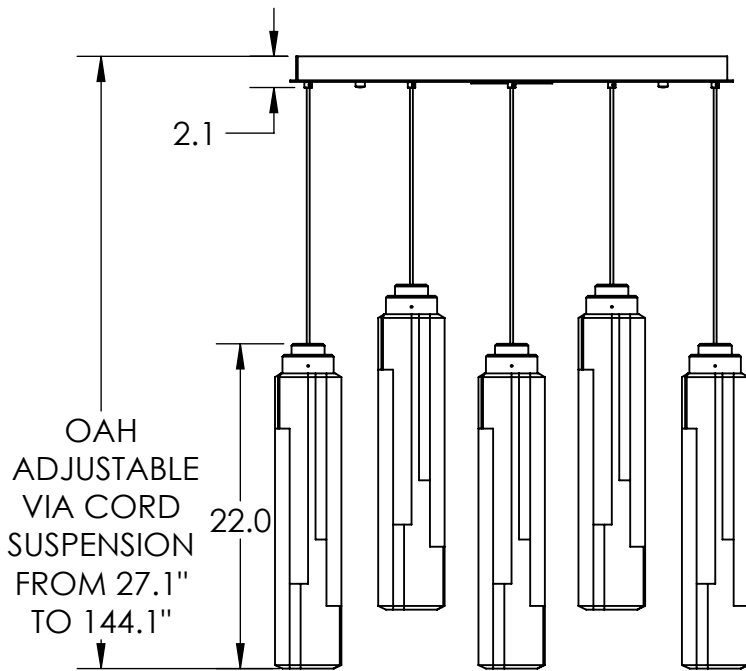


Collection: LEDGESTONE

Product #: CHB0056-12

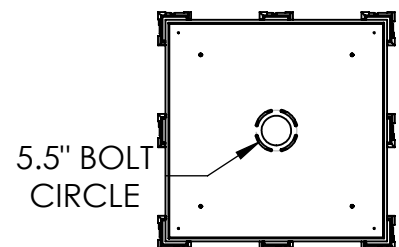


Visit hammertonstudio.com for product options and specifications.

6/13/2018 (A)

Mounting Packet: R	Weight(lbs.): 215	Electrical Type: LED	CCT: 2700 K
UL Location: DRY		Elec. Qty: 12	Wattage: 62
Finish: SEE WEB SITE FOR OPTIONS		Source Lumens: Up: N/A	Down: 4,105
Top Diffuser: CLOSED METAL		Dimmable: Forward/Reverse Phase To 1%	
Bottom Diffuser: CLOSED GLASS		CRI: 93+	Power Factor: >0.9

Mounting Detail



All fixtures created by Hammerton are handcrafted by artisans. Dimensions may vary up to 7/8".
 © Copyright 2018. All rights in design, detail or invention of this drawing are reserved as the property of Hammerton. Any imitation or adaptation without written consent is strictly prohibited.