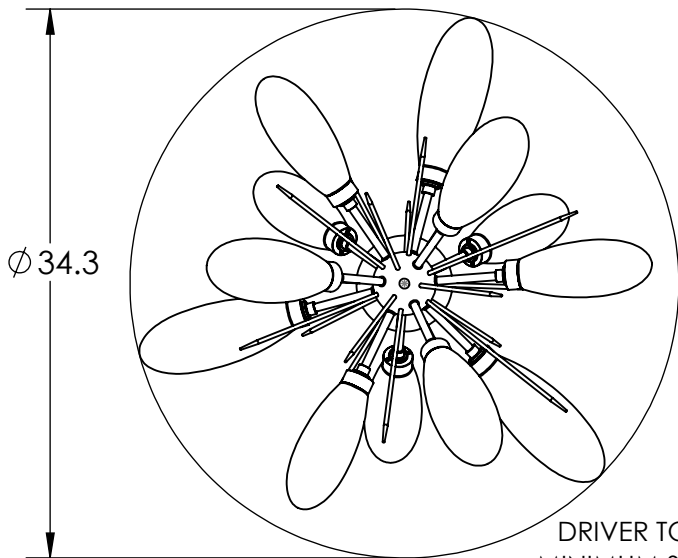
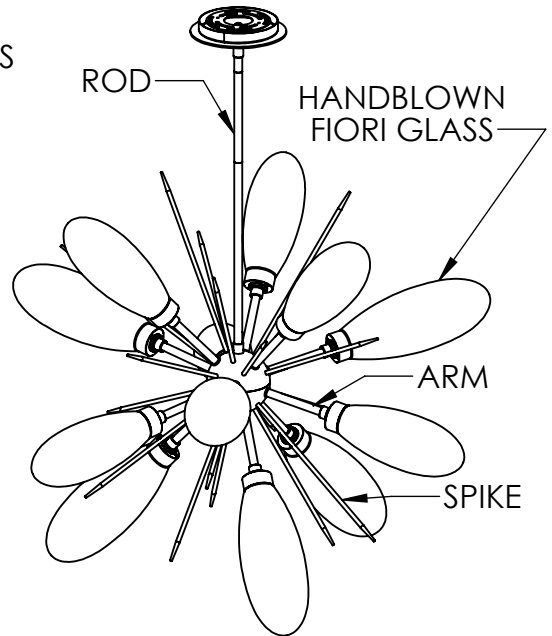
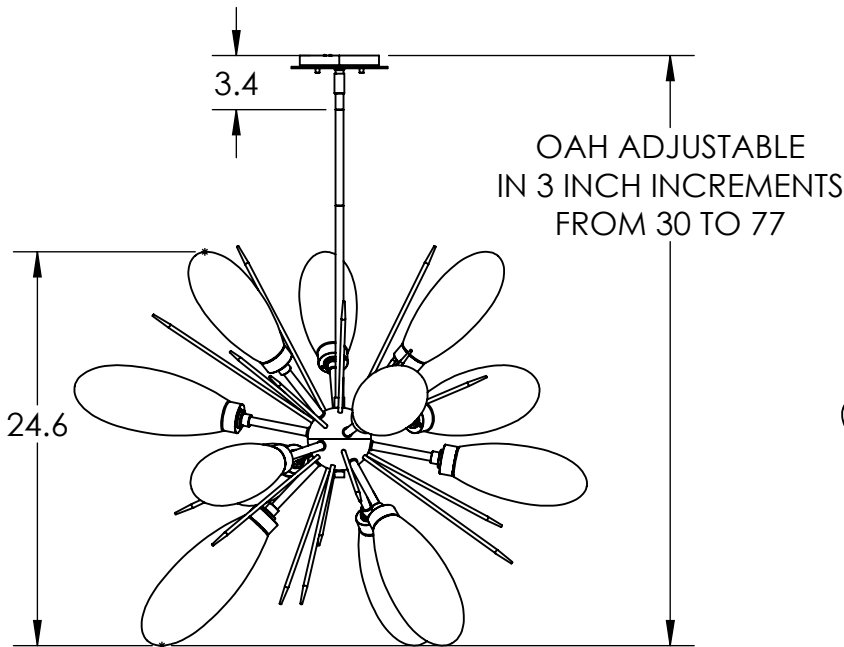
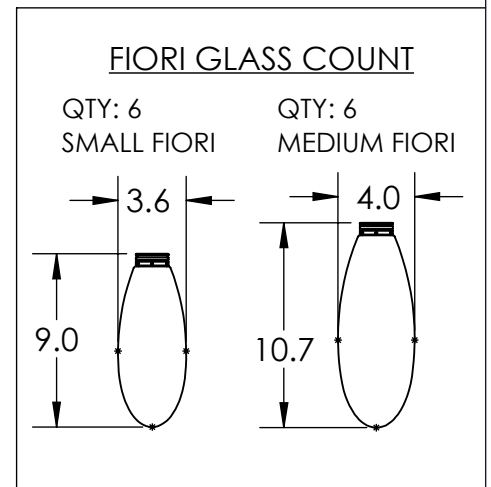


Collection: FIORI

Product #: CHB0071-0A



**\*\*NOTE\*\***  
DRIVER TO BE INSTALLED IN J-BOX  
MINIMUM SIZE OF J-BOX REQUIRED IS  
4.0 x 4.0 x 1.5



All dimensions are shown in inches unless otherwise stated.  
Visit [hammertonstudio.com](http://hammertonstudio.com) for product options.

12/21/2020 (A)

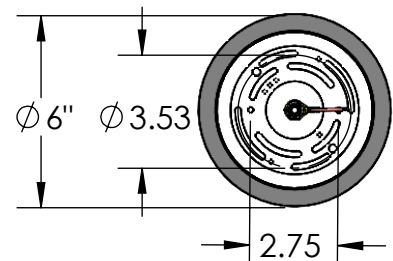
Mounting Packet: Y	Weight(lbs.): 39	Electrical Type: LED	CCT: SEE WEBSITE
UL Location: DRY		Elec. Qty: 12	Wattage: 21 Voltage: 120
Finish: SEE WEB SITE FOR OPTIONS		Source Lumens:	Ambient: 1565
Top Diffuser: CLOSED METAL		Dimmable: Forward/Reverse Phase To 1%	
Bottom Diffuser: CLOSED GLASS		CRI: 93+	Power Factor: >0.9

All Hammerton fixtures are handcrafted by artisans. Subtle imperfections reflect the mark of the artisan and should be expected in any handcrafted product. Dimensions may vary up to 7/8".

© Copyright 2020. All rights in design, detail or invention of this drawing are reserved as the property of Hammerton. Any imitation or adaptation without written consent is strictly prohibited.

Hammerton Inc. 217 Wright Brothers Dr. Salt Lake City, UT 84116 (801)973-8095

### Canopy Mounting Detail



MOUNTS DIRECTLY TO J-BOX