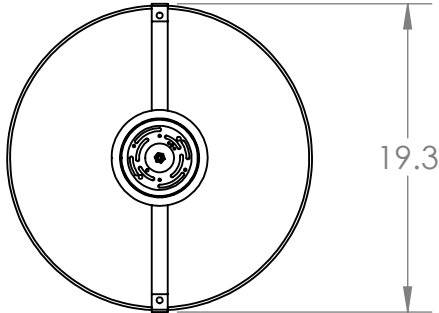
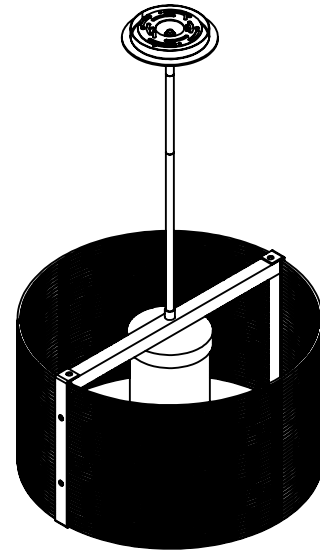


Collection: DOWNTOWN MESH

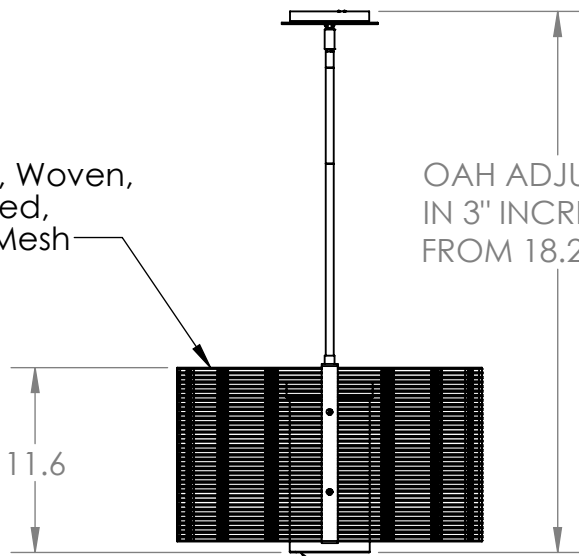
Product #: CHB0020-19-L1



19.3



Coarse, Woven,
Patterned,
Urban Mesh



11.6

OAH ADJUSTABLE
IN 3" INCREMENTS
FROM 18.2" - 72.2"

FROSTED GLASS CYLINDER

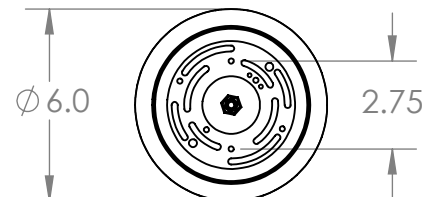
**** NOTE ****
DRIVER TO BE INSTALLED IN J-BOX.
MINIMUM SIZE OF J-BOX REQUIRED IS
4" L x 4" W x 1.5" H

Visit hammertonstudio.com for product options and specifications.

2/20/2019 (A)

Mounting Packet: Y	Weight(lbs.): 20	Electrical Type: LED	CCT: 2700 K
UL Location: DRY	Elec. Qty: 4	Wattage: 21	Voltage: 120
Finish: SEE WEB SITE FOR OPTIONS	Source Lumens: Up: N/A	Down: 1365	
Top Diffuser: OPEN	Dimmable: Forward/Reverse Phase To 1%		
Bottom Diffuser: OPEN	CRI: 93+	Power Factor: >0.9	

Mounting Detail



Ø 6.0

2.75

All fixtures created by Hammerton are handcrafted by artisans. Dimensions may vary up to 7/8".
© Copyright 2018. All rights in design, detail or invention of this drawing are reserved as the property of Hammerton. Any imitation or adaptation without written consent is strictly prohibited.