

1965 Pendant, US

Designed by Paavo Tynell - 1947



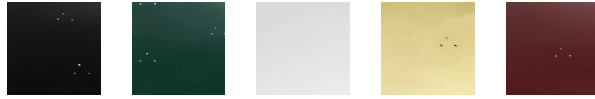
ITEM NUMBER	1965 Pendant, US (Shade: Soft Black Semi Matt)	10000006
	1965 Pendant, US (Shade: Bistro Green Semi Matt)	10000007
	1965 Pendant, US (Shade: Polished Brass)	10000008
	1965 Pendant, US (Shade: Classic White Semi Matt)	10000009
	1965 Pendant, US (Shade: Chianti Red Semi Matt)	10000010

DESCRIPTION

The 1965 Pendant was originally designed by Paavo Tynell in 1948. Like many of his best-known designs, the pendant was designed for the Finland House in New York - one of the most ambitious and successful projects of all time to showcase Finnish design. Perfecting the techniques of metal finishes, Tynell developed the 1965 Pendant with his exceptional ability to capture and translate a grace and exuberant lightness into his brass creations. Characterized by its triangular perforation pattern, an artistic detail utilised by Tynell in several of his lighting objects, the 1965 Pendant reflects the distinguished craftsmanship of the Finnish designer. With a frosted glass diffuser that softens the light, the pendant contributes to a subtle and tranquil environment.

Materials & Finishes

SHADE Soft Black Semi Matt, Bistro Green Semi Matt, Classic White Semi Matt, Polished Brass, Chianti Red Semi Matt



CANOPY FINISH

Brass polished



CORD SHAPE

Round

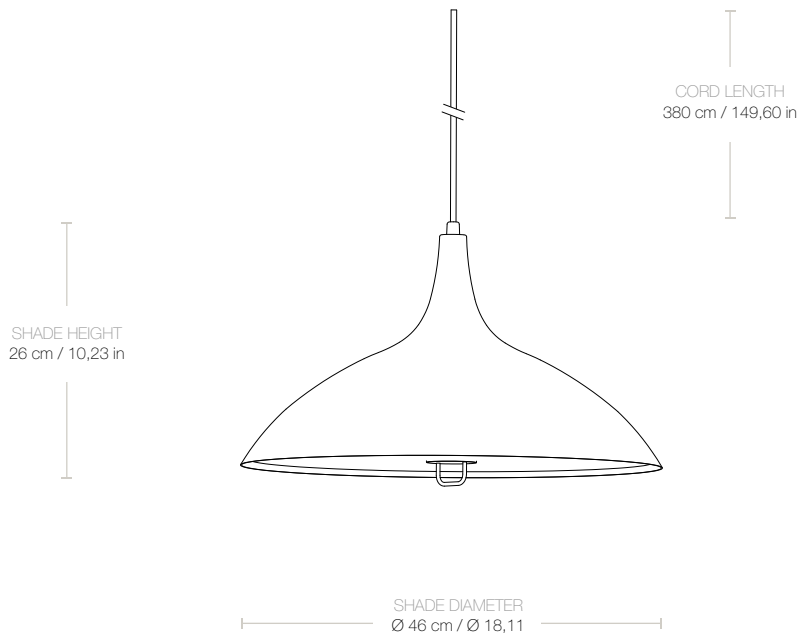
CORD COLOUR

Gold textile

MATERIALS

Steel

Dimensions



LAMP WIDTH

18,11 in

LAMP DEPTH

18,11 in

LAMP HEIGHT

10,23 in

SHADE DIAMETER

Ø 18,11 in

SHADE HEIGHT

10,23 in

CANOPY DIAMETER

Ø 4,33 in

CANOPY HEIGHT

4,33 in

CORD LENGTH

149,60 in

Weight

TOTAL WEIGHT	7,27 lbs
--------------	----------

Packaging

NUMBER OF PARCELS	1
PACKAGING LENGTH	20,86 in
PACKAGING WIDTH	20,86 in
PACKAGING HEIGHT	13,77 in
PACKAGING WEIGHT	3,96 lbs
GROSS WEIGHT	11,24 lbs

Electrical Specifications

BULB SOCKET	E26 (x3)
RECOMMENDED BULB	6W-10W LED 810 lm
SWITCH	No
VOLTAGE	120V
BULB INCLUDED	No

Test & Certifications

ISOLATION CLASS	II
IP CLASSIFICATION	20