



### CARE INSTRUCTIONS

Wipe the parts with a damp cloth soaked in warm water and a bit of mild detergent. Use only soft cloth for wiping and polishing, never sponges or steel wool. Do not use abrasive household cleaners. Do not use acidic or alkaline cleaning materials, glass cleaner or household ammonia.

### TROUBLESHOOTING

If lamp does not light, turn off the power. Check the bulb for a broken filament. Replace bulb if necessary, then turn it on. If the lamp still does not light, please contact customer service at the local dealer. If the external flexible cable or cord of this lamp is damaged, it must be replaced by a qualified electrician in order to avoid a hazard.

### TECHNICAL INFORMATION

Light sources: E27, max. 3x46W halogen bulb (similar to 3x810 Lumen). Best result is achieved with frosted light bulbs with a CRI above 90. Turn power off when changing light bulb. Isolation class II. The lamp is not approved for outdoor use or use in damp/wet rooms (IP20).



For enquiries contact GUBI A/S - CVR: 17940384  
Klubiensvej 7-9, 2150 Nordhavn, Copenhagen, Denmark  
T +45 69 15 60 60 – [salessupport@gubi.dk](mailto:salessupport@gubi.dk)  
GUBI.COM

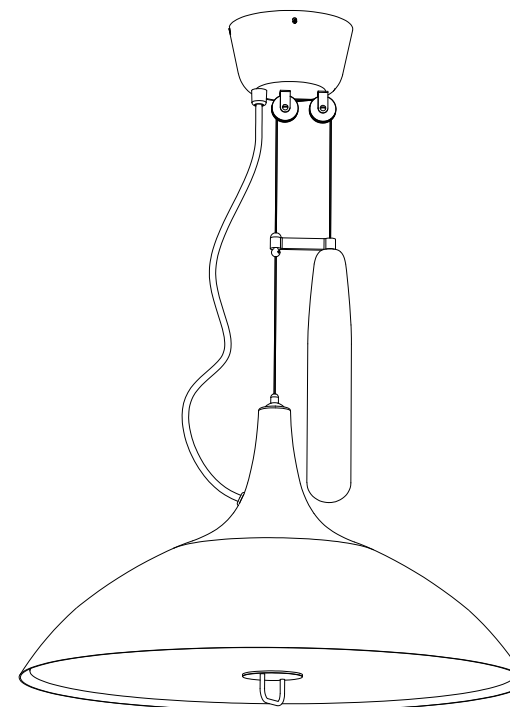
64-20-001-03 Assembly instructions Tynell Pendant A1965 EU

# GUBI

## ASSEMBLY INSTRUCTIONS

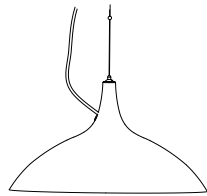
*for*

## A1965 PENDANT

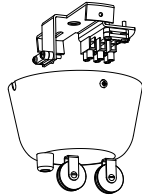


### CONTENTS.

*PAAVO TYNELL PENDANT A1965*



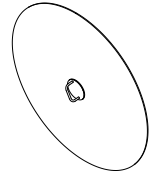
x1



x1



x1

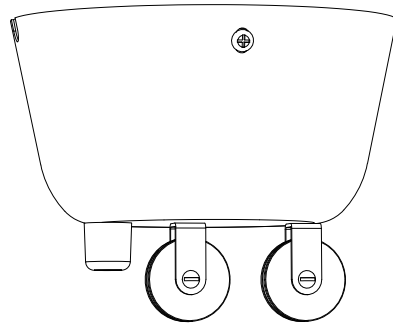
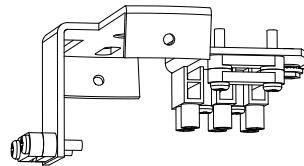


x1

### 1.

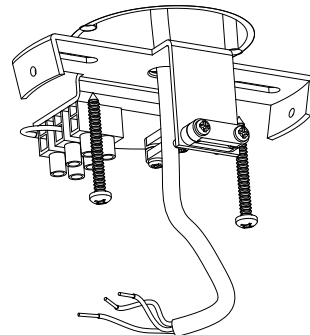
Be aware of how you position your canopy. It can only be placed in one direction/position depending on how you attach the ceiling bracket.

By built in outlet go to step 2.  
By outlet somewhere else go to step 4



### 2.

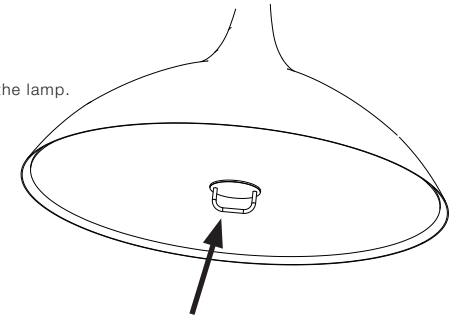
Mount ceiling bracket to the built in outlet with appropriate screws.



### 16.

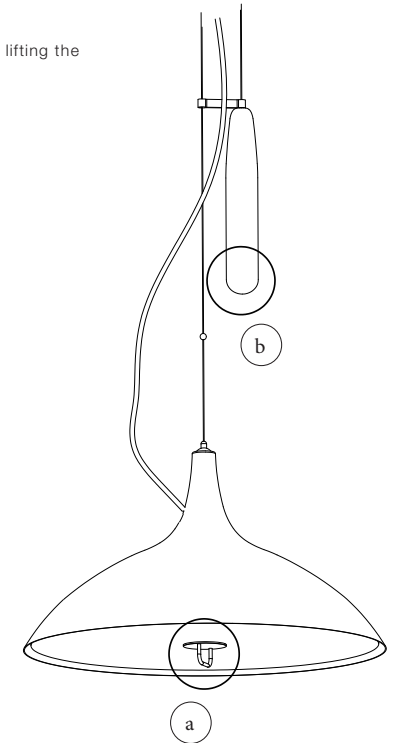
Turn the center handle to secure the glass disc to the lamp.

DO NOT tighten too much since this will break the glass disc.



### 17.

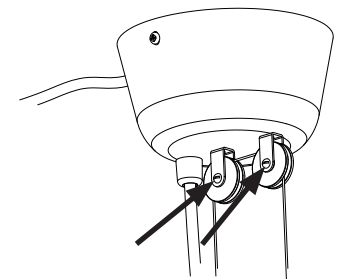
You are now able to move the lamp by pulling and/or lifting the lamp (a) or the counter weight (b) up or down.



### 18.

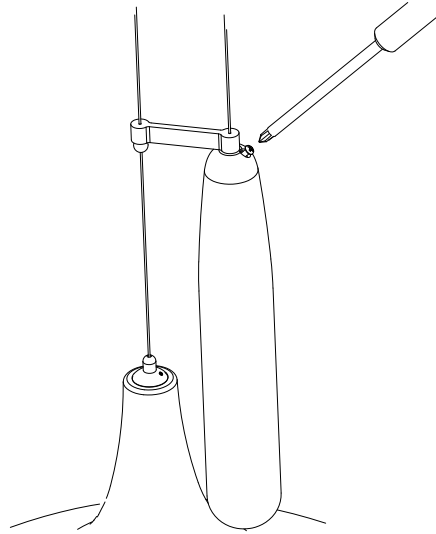
If the lamp moves downwards by itself or the up and down movement doesn't work smoothly it is possible to increase the friction by screwing slightly on the wheels on the canopy. This brakes or releases the entire system.

Be careful not to release the brakes as this could cause the lamp to fall down.



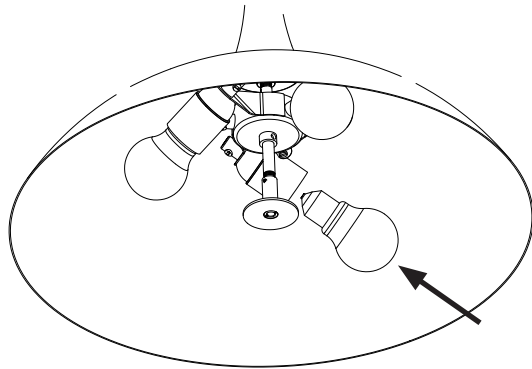
### 13.

Loosen the screw in the counter weight, gently insert the wire from the top (about 3cm) and tighten the screw firmly. Before letting the counter weight hang, please test that the wire is securely mounted by pulling the wire with one hand and the weight with the other.



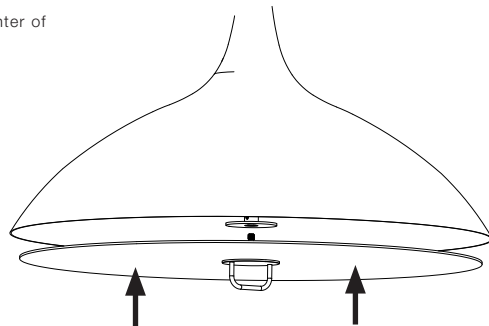
### 14.

Insert light bulbs in the lamp.



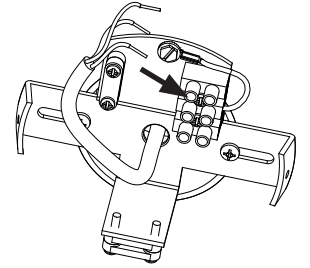
### 15.

Lift out the glass disc and place it with two hands in center of the lamp. A click will appear and the glass is in place.



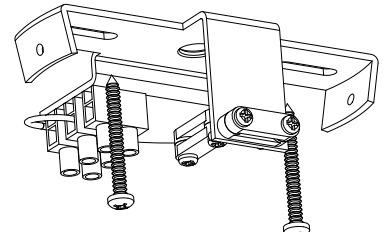
### 3.

Attach mains to the terminal block. Go to step 6.



### 4.

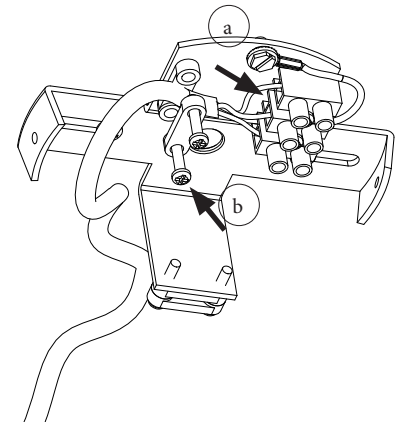
Mount ceiling bracket to the ceiling with appropriate screws.



### 5.

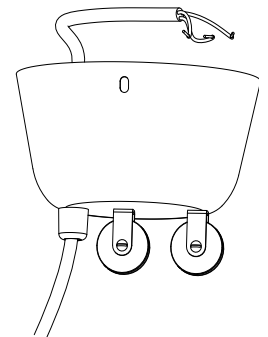
Attach mains from external cable to the terminal block (a) and tighten the cable clamp bridge (b).

Be aware the external cable can only enter from one position on the canopy.



### 6.

Pull cable through the canopy.



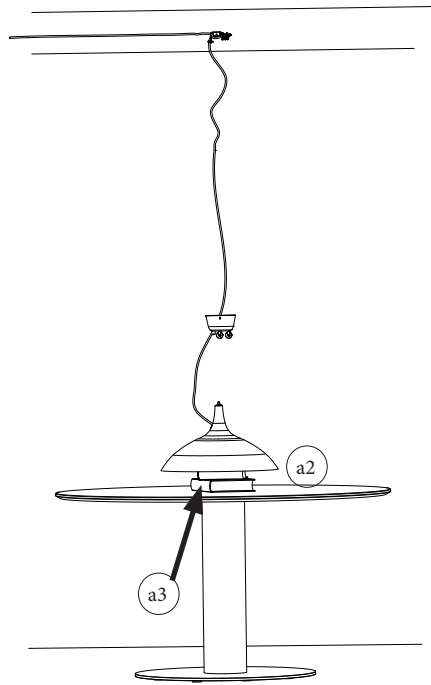
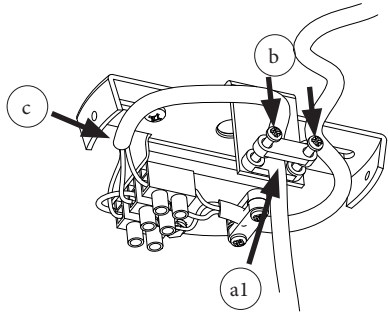
### 7.

a) Put cable through cable clamp in ceiling bracket (a1) leaving the lamp hanging in the lowest desired position (a2).

Use a hand or place support under the shade to hold it in horizontal position (a3).

b) Tighten the two screws in the cable clamp (b).

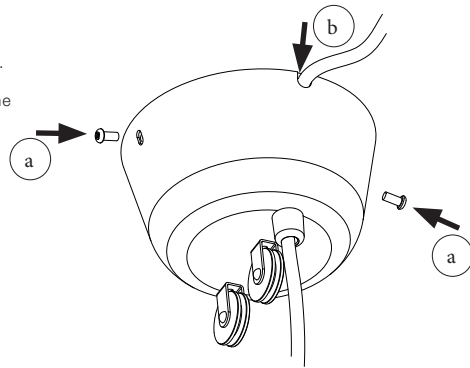
c) Cut off cable and connect wires from the lamp to the other side of the terminal block.



### 8.

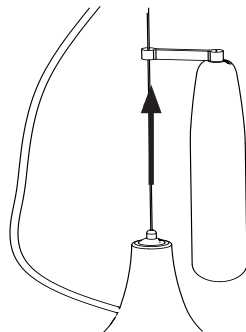
Attach canopy to ceiling bracket with the two side screws (a).

If you have external cable remember to cut off the brick on the canopy edge with a tool (b).



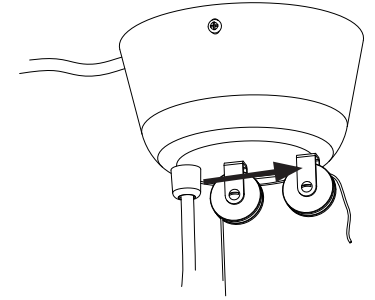
### 9.

Put the steel wire through the arm on the counter weight.



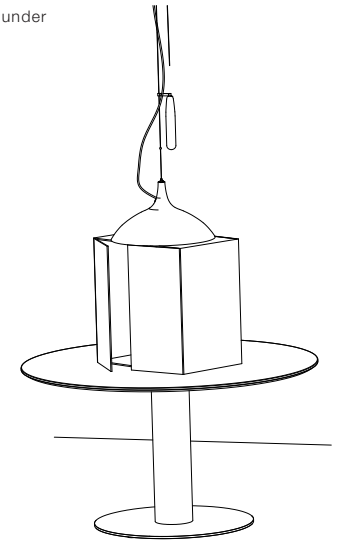
### 10.

Pull the steel wire through the wheels from where the cable enters the canopy.



### 11.

Raise the lamp to the position where the lamp should be under normal/daily use.



### 12.

Hold the counter weight in double the distance from the ball on the steel wire you want the lamp to be able to go up and cut off the wire with extra 3cm.

If you need the lamp to be able to move 20cm upwards from your daily position the length between the wire ball and the counter weight arm should be 40cm.

L: 40cm = 20cm upwards movement  
Cut off +3cm

