



CARE INSTRUCTIONS

(Unplug power cord prior maintenance)
To clean, use a soft cloth only.
Do not use any chemical or abrasive cleaners.

TROUBLESHOOTING

If lamp does not light, turn off the power. Check the bulb for a broken filament.
Replace bulb if necessary, then turn it on.
If the lamp still does not light, please contact customer service at the local dealer.
If the external flexible cable or cord of this lamp is damaged, it must be replaced by a qualified electrician in order to avoid a hazard.

BULB REPLACEMENT

Disconnect the power before replacing bulb.

SAFETY INSTRUCTIONS

SAFETY INSTRUCTIONS PERTAINING TO RISK OF FIRE, ELECTRIC SHOCK, OR PERSONAL INJURY!

WARNING: lighted bulb gets hot! Do not touch while on.
CAUTION: keep lamp away from curtains, bedding linens, and any other flammable materials.
Do not look directly at lighted bulb. Turn off / unplug and allow lamp to cool before replacing bulb, cleaning or other maintenance. Do not use in the bathroom or damp places.
BEWARE: lamp holder has been UL approved, UL listing E364367, to a max. of 250 V, 660W, but for this lamp it works according to following definitions: use halogen bulb, max. 70 Watt, E26, 120V 60Hz AC only.
CAUTION: to reduce the risk of fire, do not exceed recommended wattage.

IMPORTANT! LAMP MUST BE INSTALLED BY A QUALIFIED ELECTRICIAN!



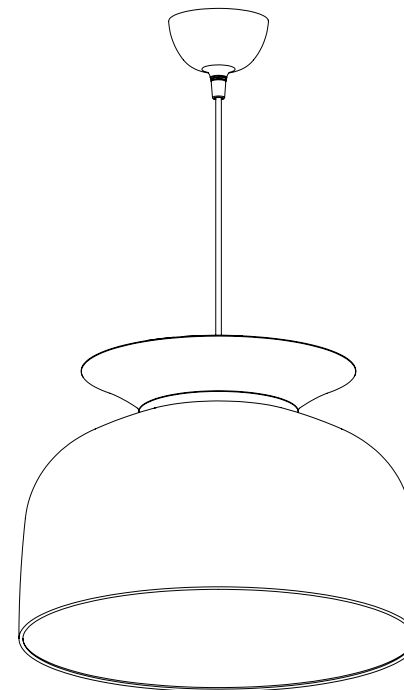
GUBI A/S

FOR MORE INFORMATION

GUBI.COM

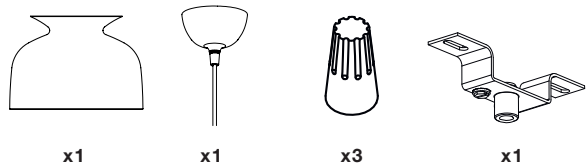
GUBI

ASSEMBLY INSTRUCTIONS *for* RONDE PENDANT



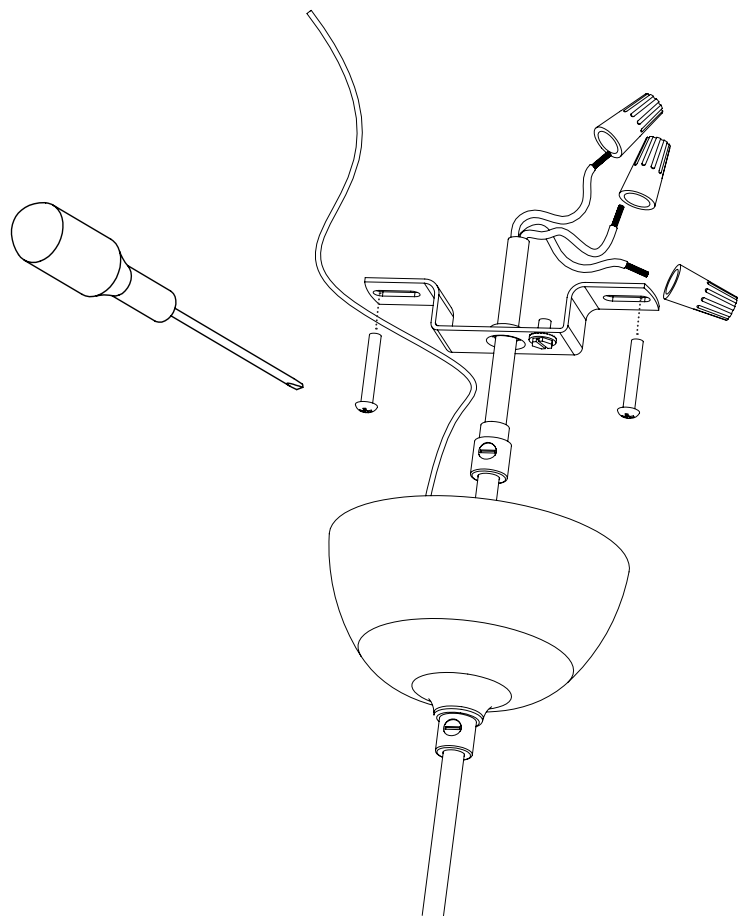
CONTENTS.

RONDE PENDANT



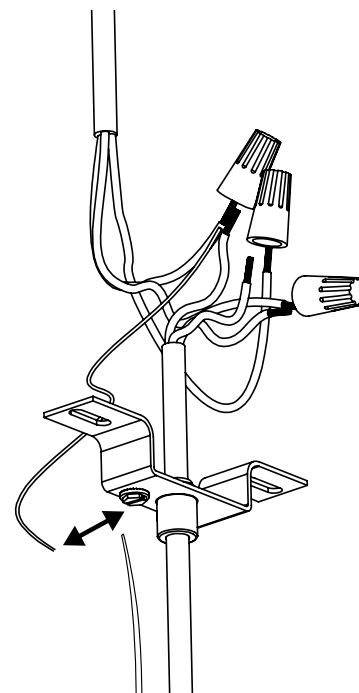
1.

Mount the bracket to the ceiling. Adjust the height and tighten the screw in the cable clamp.



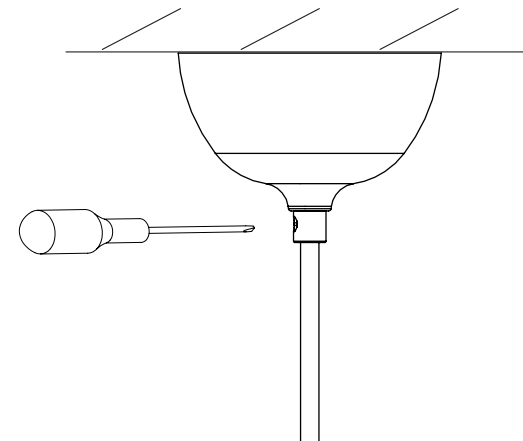
2.

Connect wires to power cables and connect the grounding wire to bracket.



3.

Push canopy up and tighten the screw.



4.

Place lightbulb in the lamp.

