



CARE INSTRUCTIONS

Wipe the parts with a dry cloth or a damp cloth soaked in warm water. Use only soft cloth for wiping and polishing, never sponges or steel wool. Do not use abrasive household cleaners. Do not use acidic or alkaline cleaning materials, glass cleaner or household ammonia.

TROUBLESHOOTING

If lamp does not light, turn off the power. Check the bulb for a broken filament. Replace bulb if necessary, then turn it on. If the lamp still does not light, please contact customer service at the local dealer. If the external flexible cable or cord of this lamp is damaged, it must be replaced by a qualified electrician in order to avoid a hazard.

TECHNICAL INFORMATION

Light sources: E27, 3 x 1100 Lumen (\leq 75W Incandescent, \leq 57W Halogen, \sim 10-12W LED Dimmable).

With LED you can improve light output to 1530 Lumen (\sim 13-16W).

Only dimmable light bulbs work properly.
Turn power off when changing light bulb. Isolation class II. The lamp is not approved for outdoor use or use in damp/wet rooms (IP20).

SAFETY INSTRUCTIONS

SAFETY INSTRUCTIONS PERTAINING TO RISK OF FIRE, ELECTRIC SHOCK, OR PERSONAL INJURY!

WARNING: Lighted bulb gets HOT! Do not touch while on.

CAUTION: Keep lamp away from curtains, bedding linens, and any other flammable materials. Do not look directly at lighted bulb. Turn off / unplug and allow lamp to cool before replacing bulb, cleaning or other maintenance. Do not use in the bathroom or damp places.

CAUTION: TO REDUCE THE RISK OF FIRE, USE ONLY TYPE A BULB, 120V 60Hz AC ONLY. Do not exceed recommended wattage.

CAUTION! IMPORTANT: LAMP MUST BE INSTALLED BY A QUALIFIED ELECTRICIAN!



For enquiries contact GUBI A/S - CVR: 17940384
Klubiensvej 7-9. 2150 Nordhavn. Copenhagen, Denmark

T +45 69 15 60 60 – order@gubi.com

GUBI.COM

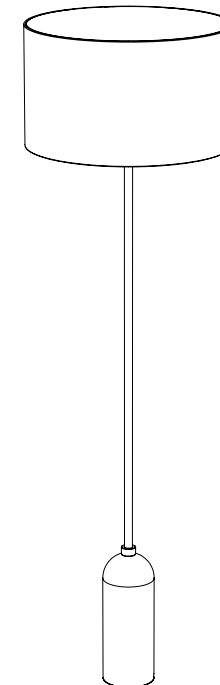
69-20-004-02 Assembly Instructions Gravity Floor Lamp US.

GUBI

ASSEMBLY INSTRUCTIONS

for

Gravity Floor Lamp

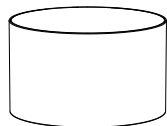


CONTENTS

Gravity Floor Lamp



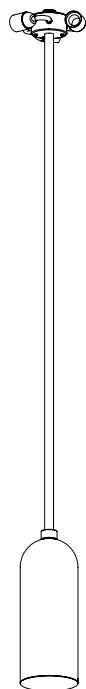
x1



x1

1.

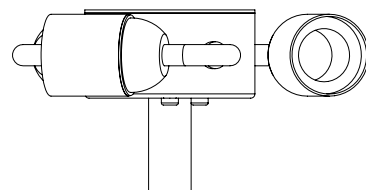
Unpack the lamp and place on stable ground.



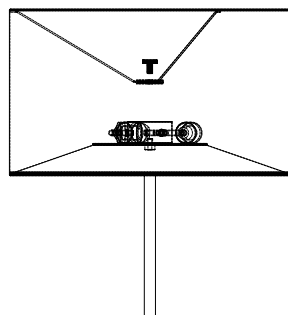
2.

- A. Unscrew the top nut on the lamp head.
- B. Place the shade with the bottom diffuser hole turning downwards on top of the lamp and guide the hole around the 3 lamp holders until the shade ring can rest on lamp head. Screw the top nut on the lamp head.

A.

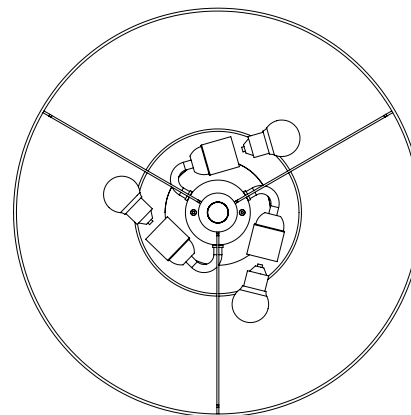


B.



3.

Insert 3 light bulbs and plug lamp to main voltage. Slide button on foot dimmer to turn lamp on and off, and dim up and down. Alternatively pull chain to turn on and off.



4.

Place the top diffuser on top of the shade so that it rests on the 3 rods.

