

## Gräshoppa Table Lamp, US

Designed by Greta M. Grossman - 1947



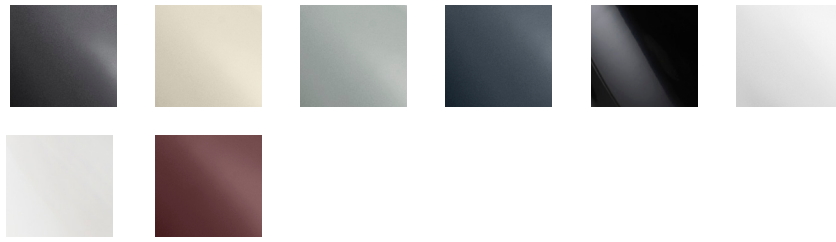
ITEM NUMBER	Gräshoppa Table Lamp, US (Shade: Black Semi Matt)	10012230
	Gräshoppa Table Lamp, US (Shade: Oyester White Semi Matt)	10012232
	Gräshoppa Table Lamp, US (Shade: Dusty Blue Semi Matt)	10012233
	Gräshoppa Table Lamp, US (Shade: Anthracite Grey Semi Matt)	10012235
	Gräshoppa Table Lamp, US (Shade: White Semi Matt)	10012229
	Gräshoppa Table Lamp, US (Shade: Andorra Red Semi Matt)	10012234
	Gräshoppa Table Lamp, US (Shade: Albaster White Glossy)	10112360

**DESCRIPTION**

Greta M. Grossman designed the iconic Gräshoppa Table Lamp in 1947 and with its sophisticated yet playful design, it is still as relevant today. The distinctive, elongated conical shade is beautifully combined with a tubular brass stand, a great example of Grossman's whimsical design language, that is both organic and modern. The Gräshoppa Table Lamp brings not only a perfect, functional addition to the desk but can also be used as a sophisticated light object in any room.

### Materials & Finishes

**SHADE FINISH** Black Semi Matt, Oyester White Semi Matt, Dusty Blue Semi Matt, Anthracite Grey Semi Matt, White Semi Matt, Black Glossy, Alabaster White Glossy, Andorra Red Semi Matt



BASE FINISH

Brass, Semi Matt



CORD SHAPE

Oval

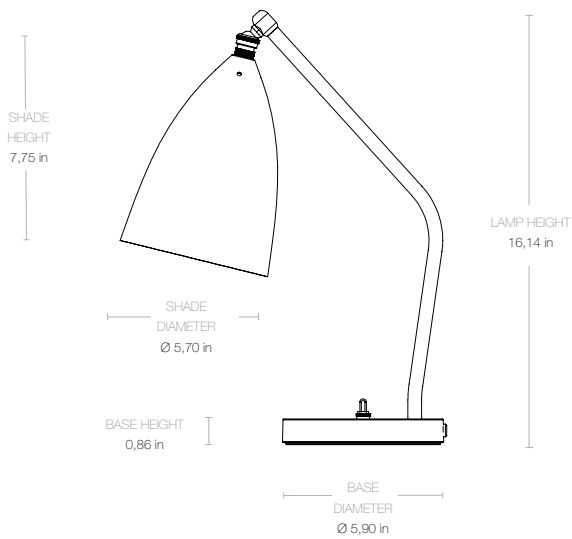
CORD COLOR

Brass Textile

MATERIALS

Powder coated steel (shade), Brass tube (arm), Brass-plated steel (base)

## Dimensions



LAMP HEIGHT

16,14 in

SHADE DIAMETER

Ø 5,70 in

SHADE HEIGHT

7,75 in

BASE DIAMETER

Ø 5,90 in

BASE HEIGHT

0,86 in

ARM LENGTH

15,27 in

CORD LENGTH

94,5 in

## Weight

TOTAL WEIGHT	4,49 lbs
--------------	----------

---

Number of parcels	1
-------------------	---

PACKAGING LENGTH	18,89 in
------------------	----------

PACKAGING WIDTH	16,53 in
-----------------	----------

PACKAGING HEIGHT	9,44 in
------------------	---------

PACKAGING WEIGHT	3,68 lbs
------------------	----------

GROSS WEIGHT	8,17 lbs
--------------	----------

---

## Electrical Specifications

BULB SOCKET	E12
-------------	-----

RECOMMENDED BULB	4W - 6W LED
------------------	-------------

DIMMER	Rotary, on base
--------	-----------------

SWITCH	Yes (on base)
--------	---------------

VOLTAGE	120V
---------	------

BULB INCLUDED	No
---------------	----

PLUG TYPE	US - Type A, 2 pin
-----------	--------------------

---

## Test & Certifications

ISOLATION CLASS	II
-----------------	----

IP CLASSIFICATION	20
-------------------	----