

Gräshoppa Pendant, US

Designed by Greta M. Grossman - 1947



ITEM NUMBER	Gräshoppa Table Lamp, US (Shade: Black Semi Matt)	10012213
	Gräshoppa Table Lamp, US (Shade: Oyester White Semi Matt)	10012211
	Gräshoppa Pendant, US (Shade: Dusty Blue Semi Matt)	10012209
	Gräshoppa Table Lamp, US (Anthracite Grey Semi Matt)	10012208
	Gräshoppa Table Lamp, US (Shade: White Semi Matt)	10012214
	Gräshoppa Table Lamp, US (Shade: Albaster White Glossy)	10112356

DESCRIPTION

Greta M. Grossman designed the iconic Gräshoppa Table Lamp in 1947 and with its sophisticated yet playful design, it is still as relevant today. The distinctive, elongated conical shade is beautifully combined with a tubular brass stand, a great example of Grossman's whimsical design language, that is both organic and modern. The Gräshoppa Table Lamp brings not only a perfect, functional addition to the desk but can also be used as a sophisticated light object in any room.

Materials & Finishes

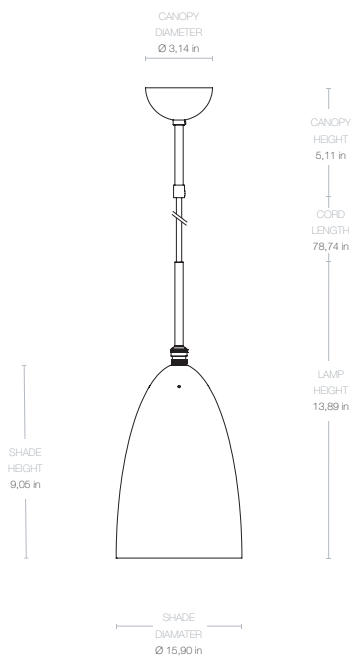
SHADE FINISH

Black Semi Matt, Oyester White Semi Matt, Dusty Blue Semi Matt, Anthracite Grey Semi Matt, White Semi Matt, Black Glossy, Albaster White Glossy



CANOPY FINISH	Powder coated steel
CORD SHAPE	Round
CORD COLOR	Black Textile
MATERIALS	Powder coated steel (shade and canopy), Solid brass (Swivel)

Dimensions



LAMP HEIGHT	13,89 in
SHADE DIAMETER	$\varnothing 5,90$ in
SHADE HEIGHT	9,05 in
CANOPY DIAMATER	$\varnothing 3,14$ in
CANOPY HEIGHT	5,11 in
CORD LENGTH	78,74 in

Weight

TOTAL WEIGHT	19,40 lbs
--------------	-----------

Number of parcels	1
PACKAGING LENGTH	8,26 in
PACKAGING WIDTH	8,26 in
PACKAGING HEIGHT	17,32 in
PACKAGING WEIGHT	11,25 lbs
GROSS WEIGHT	30,64 lbs

Electrical Specification

BULB SOCKET	E12
RECOMMENDED BULB	4W- 6W LED
DIMMER	No
SWITCH	No
VOLTAGE	120V
BULB INCLUDED	No
PLUG TYPE	US Plug: Type A, 2 PIN

Test & Certifications

ISOLATION CLASS	II
IP CLASSIFICATION	20