

# INSTALLATION INSTRUCTIONS

Item#P1551-66A-L P1552-66A-L P1553-66A-L (Rev. 05/09/2023)

## READ AND SAVE THESE INSTRUCTIONS

**WARNING! SHUT POWER OFF AT FUSE OR CIRCUIT BREAKER.**  
**AVERTISSEMENT! COUPER LE COURANT AU NIVEAU DES FUSIBLES OU DU DISJONCTEUR.**

### PREPARATION

1. Shut off power at the fuse box or circuit breaker box. If necessary, remove the old fixture and mounting hardware.
2. Carefully unpack your new fixture and lay out all the parts on a clear area. Take care not to lose any small parts necessary for installation.

### MOUNTING THE FIXTURE (FIG. 1)

3. Secure mounting plate (A) to the outlet box (not included) using outlet box screws (B) (Size: #8-32N\*L1"L). The side of the mounting plate marked "GND" must face out.

### CONNECTING THE WIRES (FIG. 2)

4. Connect the electrical wires as shown in Fig. 2, making sure that all wire connectors are secured. If your outlet box has a ground wire (green or bare copper), connect the fixture's ground wire to it. Otherwise, connect the fixture's ground wire directly to mounting plate (A) using the green screw provided. After wires are connected, tuck them carefully inside the outlet box.

### FINISHING THE INSTALLATION (Fig. 1)

5. Place back plate (C) over mounting plate (A) and secure with screws (D).

### Replacing LED module (Fig.3)

The LED module can be replaced by a qualified electrician without cutting of wire and without damage to any decorative element to which the fixture is attached. See installation steps for more details (Fig 3.)

- a. Shut off the power.
- b. To remove fixture body from wall, loosen screw (D) and back plate (C) from mounting plate (A). Disconnect wire connectors and place fixture body on a clean surface (Fig.1).
- c. Remove screws (E) and the metal caps (H) from the fixture body and remove glass (F).
- d. Press the button with printed "L" quick connector on LED module (G) with screwdriver (not included) to disconnect the black wire and then disconnect the white wire from the printed "N" quick connector on LED module (G). Carefully remove LED module (G) from the base.
- e. Reverse steps a-d for installing the new LED module.

Your installation is now complete. Return power to the outlet box and test the fixture.

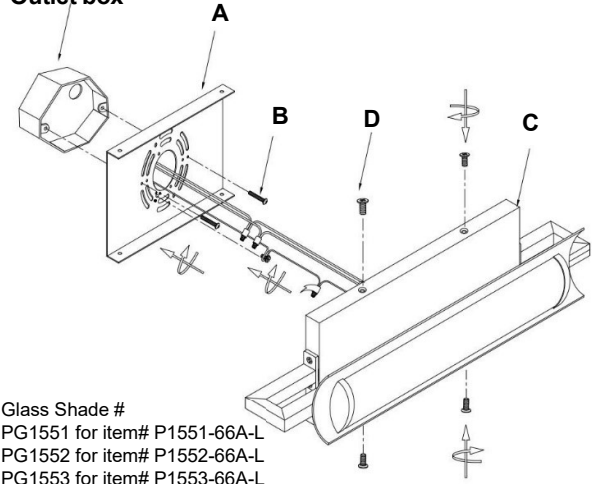
**Note: The illustration in figure 1 on this manual is for installation purposes only. It may or may not be identical to the fixture purchased.**

**Dimmable with ELV and/or LED compatible wall dimmer switches.**

Fig. 1

- Set #A-020-150A for item# P1551-66A-L  
Set #A-020-300 for item# P1552-66A-L  
Set #A-020-400 for item# P1553-66A-L
- Mounting plate
  - Junction box screw\* 2 pcs
  - Ground Screw

Outlet box



Glass Shade #  
PG1551 for item# P1551-66A-L  
PG1552 for item# P1552-66A-L  
PG1553 for item# P1553-66A-L

Fig. 2

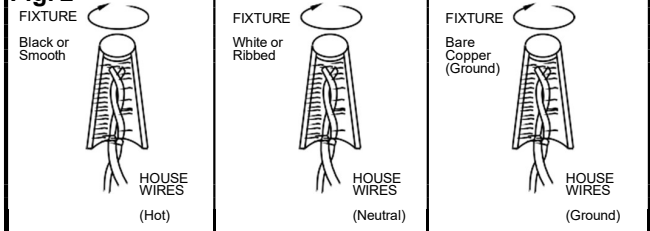
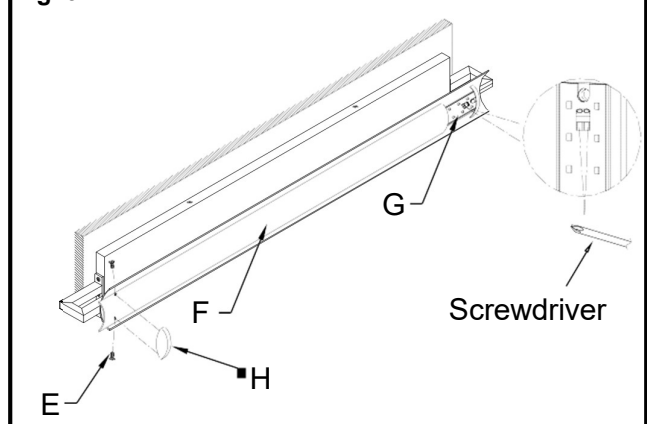


Fig. 3



*Handwritten:* 7/10/23