

INSTALLATION INSTRUCTIONS

Item#P5406-689-L

READ AND SAVE THESE INSTRUCTIONS

WARNING! SHUT POWER OFF AT FUSE OR CIRCUIT BREAKER.

AVERTISSEMENT! COUPER LE COURANT AU NIVEAU DES FUSIBLES OU DU DISJONCTEUR.

PREPARATION (Fig.1)

1. Shut off power at the fuse box or circuit breaker box and remove the old fixture including the mounting hardware.
2. Carefully unpack your new fixture and lay out all the parts in a clean area. Take care not to misplace any small parts necessary for installation.
3. Unscrew screws (F) to remove mounting plate (C) from ceiling canopy (E). Position mounting plate (C) on the ceiling and mark location of the two mounting holes for plastic anchors (I). Drill the appropriate size holes on the ceiling and insert plastic anchors (I).
4. Attach mounting plate (C) to outlet box (A) (not included) with the mounting screws (D). Make sure the side of mounting plate (C) marked "GND" must face out. Secure mounting plate (C) by screwing wood screws (H) through the holes on mounting plate (C) into plastic anchors (I).
5. Adjust the length of the power cord by loosening and tightening the screws (S) with a screwdriver (not included).

WIRES CONNECTIONS (Fig.2)

6. Pull power supply wires out from outlet box (A). Connect black supply wire to black fixture wire using wire nuts (B). Connect white supply wire to white fixture wire using wire nuts (B). Connect fixture ground wire and supply ground wire together using wire nuts (B). If your outlet box does not have a ground wire, connect the fixture's ground wire directly to the mounting plate (C) using the green screw provided. Secure all wire nuts (B) with electrical tape.

COMPLETING THE INSTALLATION (Fig.1)

7. Slide canopy (E) over mounting plate (C) and secure with screws (F).

Replacing LED driver (Fig. 3)

The LED driver can be replaced by a qualified electrician without cutting of wire and without damage to any decorative element to which the fixture is attached. See installation steps for more details (Fig.3)

- a. Shut off the power.
- b. Remove screws (F) on canopy (E) from mounting plate (C). (Fig.1) Disconnect the fixture wires from the outlet box
- c. Un-twist wire nuts (DD) to loosen red and yellow wires to remove the LED driver
- d. Reverse steps a-c for installing new LED driver

Your installation is now complete. Return power to outlet box and test the fixture.

Note: Illustration (Fig.1) on this manual is for installation purposes only. It may or may not be identical to the fixture purchased.

Dimmable with ELV and/or LED compatible wall dimmer switches.

Fig. 1

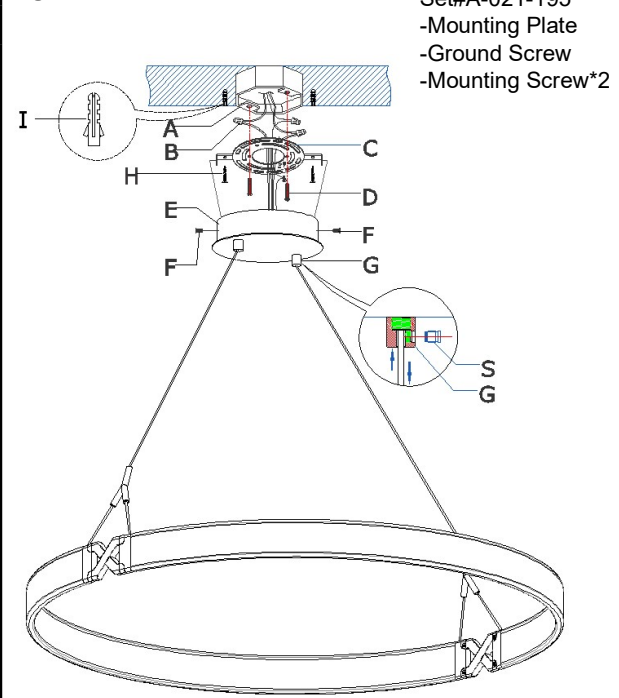


Fig. 2

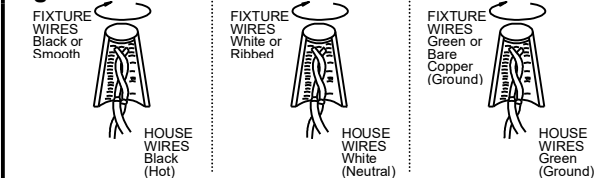
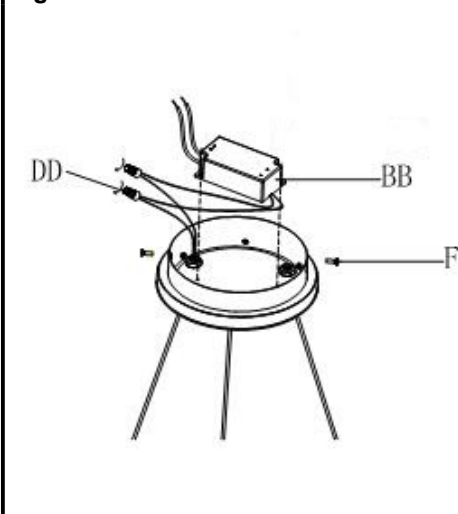


Fig. 3



LA-3188E



american lighting