

INSTALLATION INSTRUCTIONS

For P5442-077-L / P5443-077-L / P5444-077-L

WARNING! SHUT POWER OFF AT FUSE OR CIRCUIT BREAKER.

AVERTISSEMENT! COUPER LE COURANT AU NIVEAU DES FUSIBLES OU DU DISJONCTEUR.

PREPARATION

1. Shut off power at the fuse box or circuit breaker box and remove the old fixture including the mounting hardware.
2. Carefully unpack your new fixture and lay out all the parts on a clear area. Take care not to misplace any small parts necessary for installation

MOUNTING THE FIXTURE (Fig. 1)

3. Mark location of the two mounting holes for the plastic anchors (I). Drill the appropriate size holes on the wall and insert the plastic anchors (I).
4. Attach mounting plate (B) to junction box (not included) using mounting screws (A) (Size: #8-32*1/2"L). The side of the mounting plate marked "GND" must face out.
5. Secure mounting plate (B) using screwing screws (J) through the holes on mounting plate (B) into plastic anchors (I).

CONNECTION THE WIRES (Fig. 2)

6. Connect the electrical wires as shown in Fig. 2, making sure that all wire connectors are secured. If your junction box has a ground wire (green or bare copper), connect the fixture's ground wire to it. Otherwise, connect the fixture's ground wire directly to the mounting plate (B) using the green screw provided.
7. Tuck wire connections neatly inside the junction box.

FINISHING THE INSTALLATION (Fig. 1)

8. Place fixture body (F) over mounting plate (B) and secure with screws (E).
9. Secure glass shades (G) to fixture body (F) with screws (H).

Your installation is now complete. Return power to the junction box and test the fixture.

Replacing LED module (Fig. 3)

The LED module can be replaced by a qualified electrician without cutting the wires and without damaging the decorative element to which the fixture is attached. See installation steps for more details (Fig. 3)

Warning: Turn off power at the fuse box or circuit breaker before replacing LED module.

- a. To remove the fixture from the wall, loosen screws (E) and remove the wire connectors (D). Remove fixture body (F) from mounting plate (B). Then place the fixture on a clear flat surface.
- b. Loosen screws (H) and remove glass shades (G).
- c. Loosen screws (I) and take out silicone pad (J), disconnect the wires by pressing the connector using a pin (not included), then take out the LED module.
- d. Reverse steps a-c for installing the new LED module.

Note: The LED module should be provided by a specified supplier.

CAUTION / ATTENTION: When handling the fixture, do not apply pressure to the LEDs. Hold the fixture by the base or fixture body only.

IMPORTANT: Fixture should be installed by a qualified electrician to ensure proper wiring and installation.

Dimmable with ELV and/or LED compatible wall dimmer switch.

Fig. 1

Mounting Plate Set #:
A-021-350110A for P5442-077-L
A-021-450110 for P5443-077-L
A-021-790110 for P5444-077-L

- Mounting plate (B)
- Ground screw (C)
- Mounting screw (A)

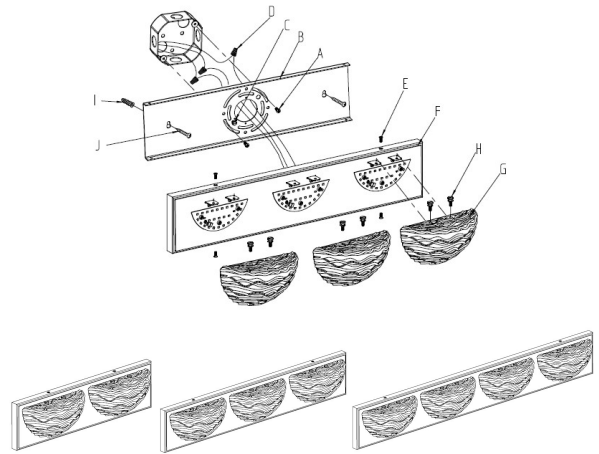


Fig. 2

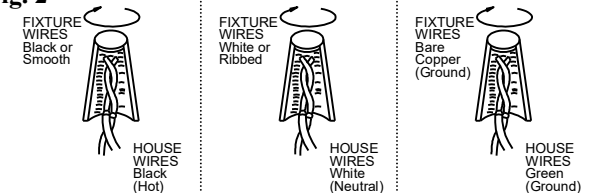


Fig. 3

