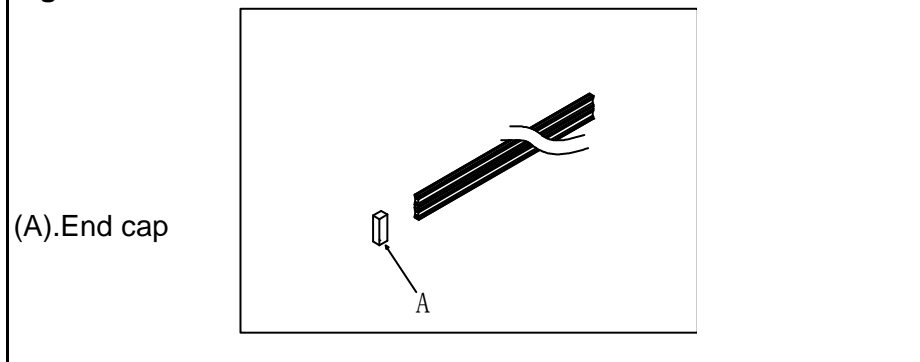


INSTALLATION INSTRUCTIONS

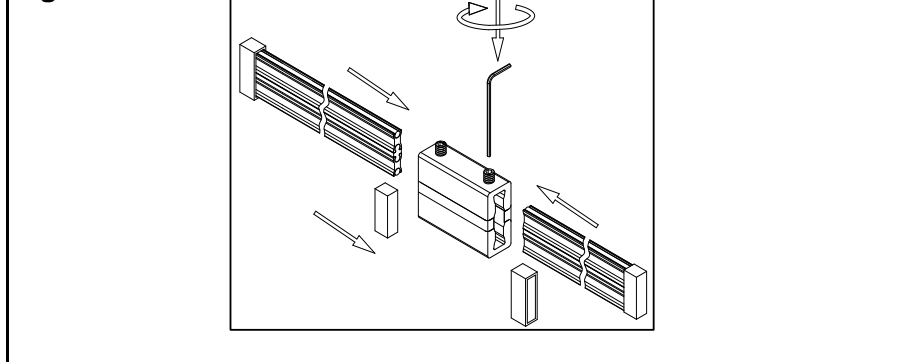
For Model# GKLR048

Fig. 1



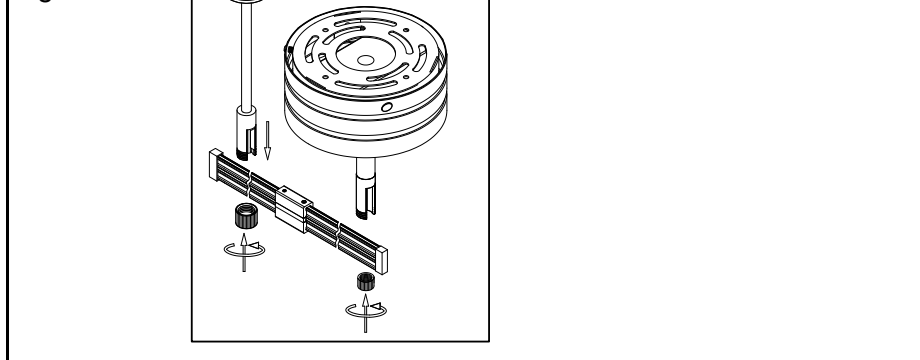
Step 1. If you would like to customise the length of the rails, use a hacksaw to cut to the desired length. Use a file or equivalent to remove any burrs from the rails. Replace the end caps to the ends of the rails.

Fig. 2



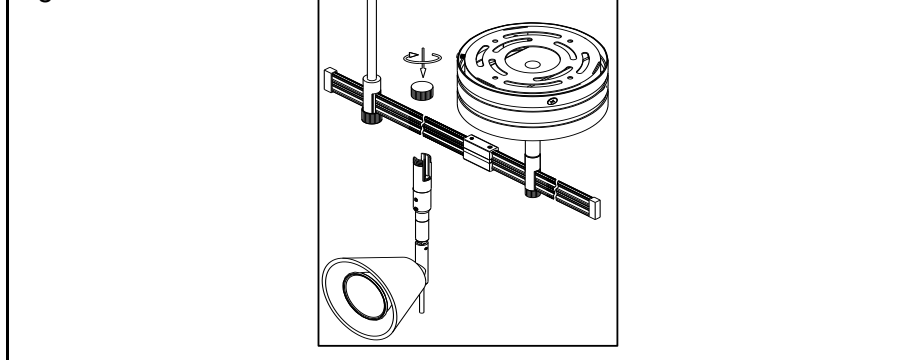
Step 2. Remove the end caps, secure the pieces of rail together by inserting the ends of the rail firmly into the rail joiners. Tighten the Allen set screws with the Allen wrench provided.

Fig.3



Step 3. Slide the assembled rail into the standoffs and the transformer power feed. While supporting the rail, screw the transformer power feed cap back onto the transformer. The connection must be tight. Then screw the standoff caps back onto the standoffs.

Fig.4



Step 4. Slide the fixture onto the rail and secure with fixture cap. The connection must be tight and secure.