

INSTALLATION INSTRUCTIONS FOR P5210

For Wall Mount Fixture

WARNING! SHUT POWER OFF AT FUSE OR CIRCUIT BREAKER BEFORE INSTALLATION .
AVERTISSEMENT ! COUPER LE COURANT AUNIVEAU DES FUSIBLES OU DU DISJONCTEUR

MOUNTING THE FIXTURE (Fig.1)

1. Shut off the power at the circuit breaker box (avertissement! couper le courant au niveau des fusibles ou du disjoncteur) and remove the old fixture, including the mounting hardware..
2. Carefully remove the fixture from the carton and check that all parts are included as shown in the illustration.
3. Attach crossbar (C) (part#A-010)to the junction box with junction box screws (size:8-32*1/2"L) (D). The side of the crossbar marked "GND" must face out.
4. Thread the nipple (Q) into the center hole of the crossbar (C) and secure with hex nut (R).

CONNECTING THE WIRES (Fig.2)

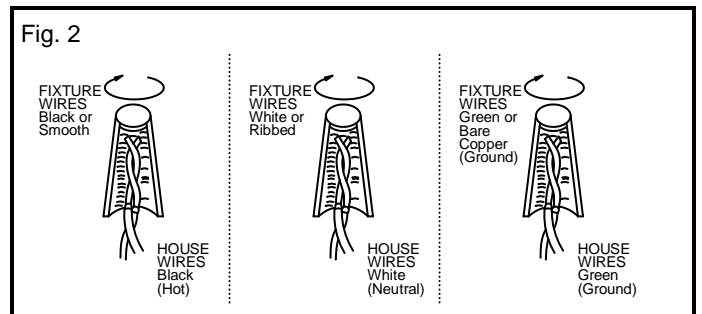
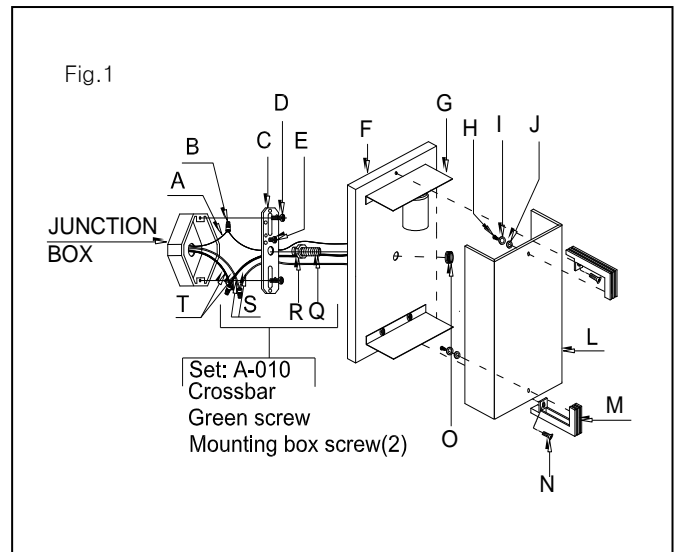
5. At this point, connect the electrical wires as shown in Fig. 2, making sure that all wire connectors are secured. If your outlet box has a ground wire (green or bare copper), connect the fixture's Ground Wire to it. Otherwise, connect the fixture's Ground Wire directly to the mounting plate using the Green Screw provided. After wires are connected, tuck them carefully inside the Junction Box.

COMPLETING THE INSTALLATION (Fig. 1)

6. Place the fixture canopy (F) over the nipple (Q) and secure with cap nut (O)
7. Install the light bulbs (1*60W T10) (not included) in accordance with the fixture's specification: **DO NOT EXCEED THE MAXIMUM WATTAGE RATING!** (**NE PAS DEPASSER LA PUISSNCE NOMINALE MAXIMLE!**)
8. Place steel gasket (I), plastic gasket (J), onto screw (H), put the screw (H) through glass (L) to secure hook (M).
9. Secure hooks (M) to fixture canopy (F) with screws (N).

Your installation is now complete. Return power to the junction box and test the fixture.

IMPORTANT: FIXTURE SHOULD BE INSTALLED BY A QUALIFIED ELECTRICIAN TO ENSURE PROPER WIRING AND INSTALLATION.



MIMIN 75°C SUPPLY CONDUCTORS

