

INSTALLATION INSTRUCTIONS

Item#P5386-613 (New. 05/13/2022)

READ AND SAVE THESE INSTRUCTIONS

WARNING! SHUT POWER OFF AT FUSE OR CIRCUIT BREAKER.
AVERTISSEMENT! COUPER LE COURANT AU NIVEAU DES FUSIBLES OU DU DISJONCTEUR.

PREPARATION (Fig. 1)

1. Shut off power at the fuse box or circuit breaker box and remove the old fixture including the mounting hardware.
2. Carefully unpack your new fixture and lay out all the parts in a clean area. Take care not to misplace any small parts necessary for installation.

ASSEMBLING THE FIXTURE (Fig.1)

3. Slide cap (R) onto all thread (P) at the top of cluster (Q). Secure rod (O) onto all thread on cluster (Q). Secure fixture (S) on rod (O).
4. Slide cap (J) onto all thread (T) at the top of fixture (S). Secure rod (I) onto all thread (T) on top of fixture (S).
5. Determine the desired hanging height and thread rods (H1, H2 and H3) to all thread on rod (I). Then screw loop (G1) to rod (H1). Pass wires carefully through each rod as you assemble. Note: Remove the all thread, if installing with one 6" rod only.
6. Attach quick link (F) to loop (G1) and loop (G2) on canopy (C), carefully feeding wire through loop (G1), quick link (F), and loop (G2).
7. Attach circular strap (A) to the junction box (not included) using mounting screws (B). The side of the circular strap (A) marked "GND" must face out.

CONNECTING THE WIRES (Fig. 2)

8. Connect the electrical wires as shown in (Fig.2), making sure that all wire connectors are secured. If your junction box has a ground wire (green or bare copper), connect the fixture's ground wire to it. Otherwise, connect the fixture's ground wire directly to circular strap (A) using the ground screw provided.
9. Tuck the wire connectors neatly into the junction box.

COMPLETING THE INSTALLATION (Fig. 1)

10. Slide canopy (C) over circular strap (A) and secure with screws (D).
11. Install (6) six candelabra base bulbs (K) up to 60 watts each or CFL or LED equivalent (not included) in accordance with the fixture specification-**DO NOT EXCEED THE MAXIMUM WATTAGE RATING! (NE PAS DEPASSER LA PUISSANCE NOMINALE MAXIMALE!)**.
12. Alternate glass (L) and (N) on hooks (Q), then hang hooks (M) to each glass (L) and (N). Alternate again glass (N) and (L) on hooks (M).

Your installation is now complete. Return power to the junction box and test the fixture.

Note: Illustration (Fig. 1) on this manual is for installation purposes only. It may or may not be identical to the fixture purchased.

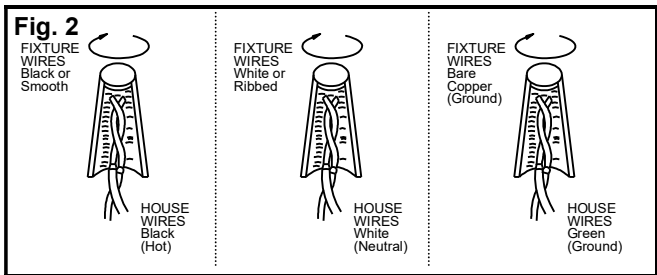
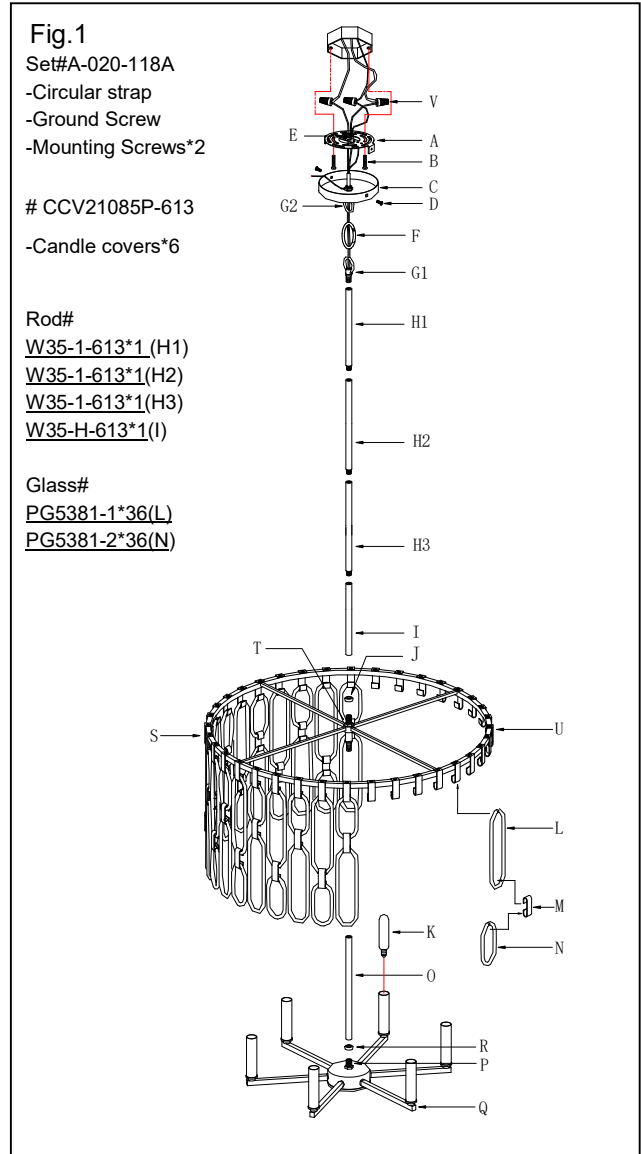
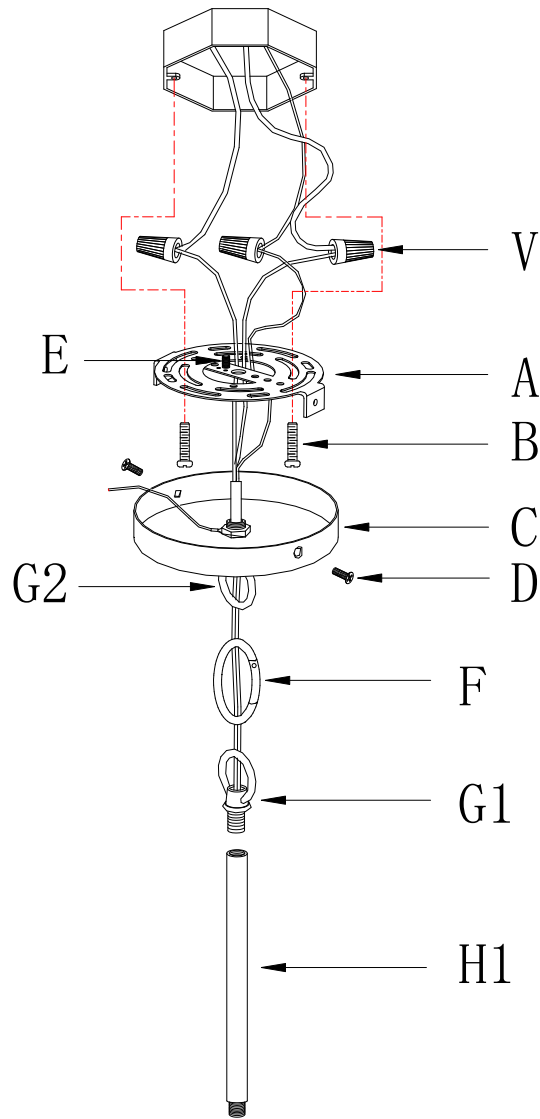
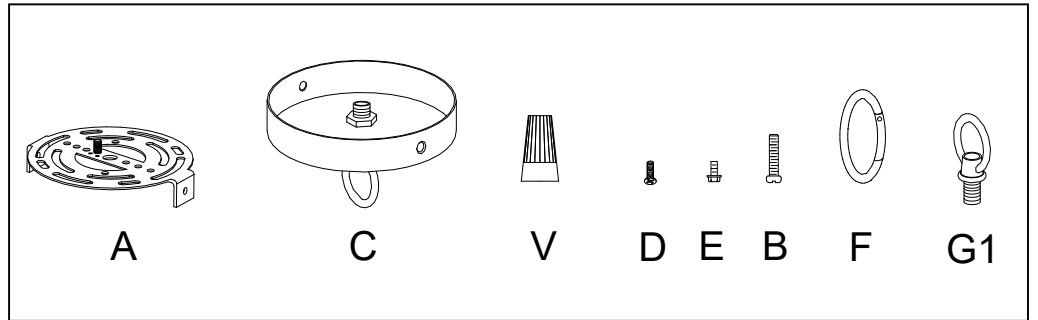


Fig.3



- A. Circular Strap *1
- B. Screws *2
- C. Canopy with loop*1
- D. Mounting Screws*2
- E. Ground screw *1
- F. Quick Link*1
- G1. Loop*1
- V. Wire connectors *3



b. Hardware Bag:

- H1. ROD 12"*1
- H2. ROD 12"*1
- H3. ROD 12"*1
- I. ROD 6"*1

