

INSTALLATION INSTRUCTIONS FOR P5371-689-L P5371-691-L P5372-689-L P5372-691-L For LED Ceiling Mount Fixture

WARNING! SHUT POWER OFF AT FUSE OR CIRCUIT BREAKER.

PREPARATION (Fig. 1)

1. Carefully remove the fixture from the carton and check that all parts are included as shown in the illustration.
2. Shut off power at the circuit breaker and remove the old fixture, including the mounting hardware.
3. Thread two mounting screws (D) about 1/4" into the pre-drilled holes in crossbar (A) about 1/4" into the pre-drilled holes in crossbar (A)(part#A-010) spaced the same distance apart as the holes in the fixture (E).
4. Attach the crossbar (A) to the junction box (not included using the two screws (C)(size:8-32*1/2"L) from the junction box. The side of crossbar (A) marked "GND" must face out.
5. Loosen screws (I) and rubber washers (H), and remove glass panel (G).

CONNECTING THE WIRES (Fig. 2)

6. Connect the electrical wires as shown in Fig.2, making sure that all wire nuts are secured. If your junction box has a ground wire (green or bare copper), connect the fixture's ground Wire to it. Otherwise, connect the fixture's ground wire directly to crossbar (A) using green screw (B) provided.

FINISHING THE INSTALLATION (FIG. 1)

7. Raise fixture (E) over both mounting screws (D) so they protrude through the "keyholes" on the fixture (E). Rotate fixture (E) until the screws are in the slots of the "keyholes" and tighten with a screwdriver (not included).
8. Align glass panel (G) over LED module and carefully secure with screws (I) and plastic washers (H).
9. Raise glass shade (J) into the fixture (E) and rotate clockwise until secure

Your installation is now complete. Return power to the junction box and test the fixture.

CAUTION /ATTENTION: When handling the fixture, do not apply pressure to the LED's. Hold the fixture by the base or ceiling plate (E) only.

Replacing LED module (Fig. 3)

The LED module can be replaced by a qualified electrician without cutting of wire and without damage to any decorative element to which the fixture is attached. See installation steps for more details (Fig. 3).

Warning: Turn off power at the circuit breaker before replacing LED module or LED driver.

- a. Shut off the power.
- b. Remove the glass (J).
- c. Loosen screws (I) and rubber washers (H). Remove glass panel (G). Loosen screws (D) (same as fig.1) and disconnect the wires, then remove fixture (E) from ceiling.
- d. To disconnect LED module: Loosen hex nuts (F), rubber washers (H) and carefully remove LED module (k).
- e. Reverse steps a - e for installing new LED module (Fig.3).

IMPORTANT: Fixture should be installed by a qualified electrician to ensure proper wiring and installation.

Dimmable with ELV and/or LED compatible wall dimmer switches.

Fig.1

- Set#:A-010
-Crossbar
-Green screw
-Mounting screw(2)
-Screw(2)

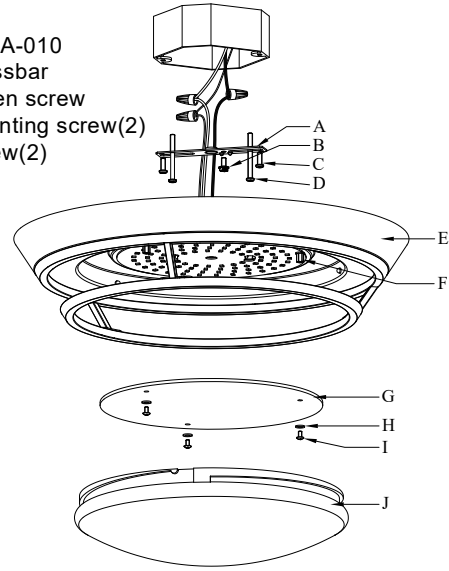


Fig.2

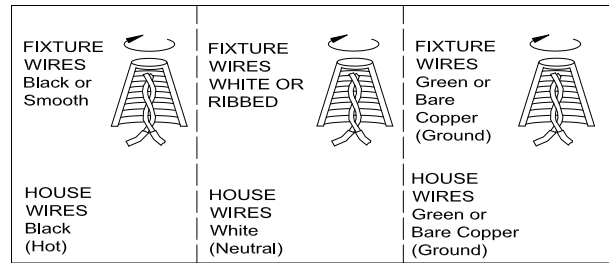


Fig 3

