

# INSTALLATION INSTRUCTIONS FOR P5432-697-L

For Wall Mount Fixture (Rev. 04/26/2022)

**WARNING! SHUT POWER OFF AT FUSE OR CIRCUIT BREAKER.**

**AVERTISSEMENT! COUPER LE COURANT A UN NIVEAU DES FUSIBLES OU D'UN DISJONCTEUR.**

## PREPARATION

1. Shut off power at the fuse box or circuit breaker box. If necessary remove the old fixture and mounting hardware.
2. Carefully unpack your new fixture and lay out all the parts on a clear area. Take care not to lose any small parts necessary for installation.

## MOUNTING THE FIXTURE (FIG. 1)

3. Secure mounting plate (A) to the junction box (not included) using junction box screws (B) (**Size: 8-32\*1"L**). The side of the mounting plate marked "GND" must face out.

## CONNECTING THE WIRES (FIG. 2)

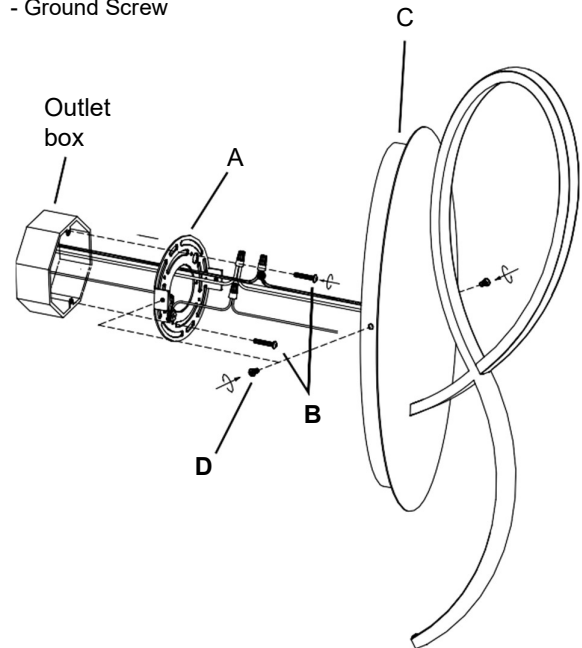
4. Connect the electrical wires as shown in Fig. 2, making sure that all wire connectors are secured. If your junction box has a ground wire (green or bare copper), connect the fixtures ground wire to it. Otherwise, connect the fixture ground wire directly to the mounting plate (A) using the green screw provided. After wires are connected, tuck them carefully inside the junction box.

## COMPLETING THE INSTALLATION (Fig.1)

5. Place back plate (C) over mounting plate and secure with screws (D).

Fig.1

Set #XXXXXX  
- Mounting plate  
- Junction box screw\*2pcs  
- Ground Screw



Dimmable with ELV and/or LED compatible wall dimmer switch.

Note: Illustration (Fig. 1) on this manual is for installation purpose only. It may or may not be identical to the fixture purchased.

**IMPORTANT:** Fixture should be installed by a qualified electrician to ensure proper wiring and installation.

Dimmable with ELV and/or LED compatible wall dimmer switch.

Fig.2

